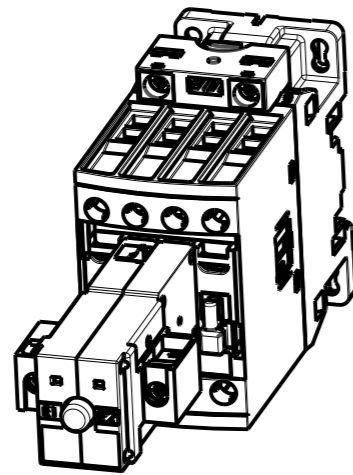


35 mm EN/IEC 60715



ECHELLE 1:2

(*): minimum distance to grounded component

DIMENSIONS+DRILLING/AF26...38TETRA+WB75		1SBB505099R1101		-	-	-	-
Part name		Part number		Material	Heat treatment	Surface treatment	Finishing
Associated standards : -							
SQR Number: -		masse (g) :		density (g/cm3) :	1,000	Thickness (mm): 0,0	
Geometry without dimensions		Chamfer: -		Main draft: -	Angle Tol: -	Round edge: -	
A.1	Creation de plan	29/02/2012		-	Stephane Bovis		-
Modif	Description	DATE		N°ECN	Author	Control	
ABB		State : Conception		Observations: -			
		Author	Creation	Control	First ECN	Scale	Main Tol.
		Bovis S	29/02/2012	-	-	1:1	-
Title :		STAR		Running number		Doc	Size
DIMENSIONS+DRILLING/AF26...38TETRA+WB75		1SBB505099D3501		N°Page		Type	Rev.lte
							A.1