

DUAL DIMENSIONS INCHES (ESTIMATING ONLY)
[MILLIMETERS]

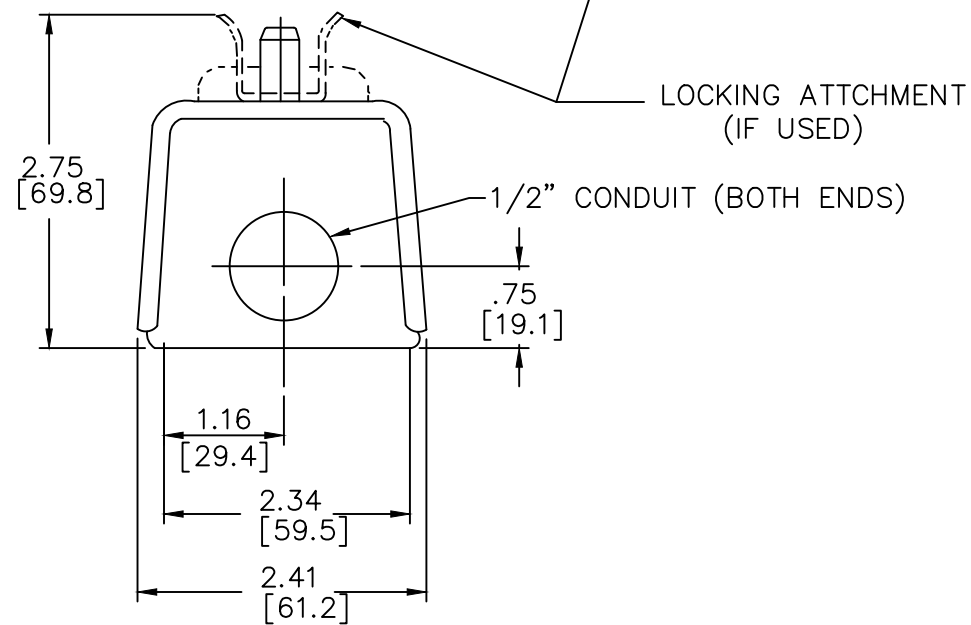
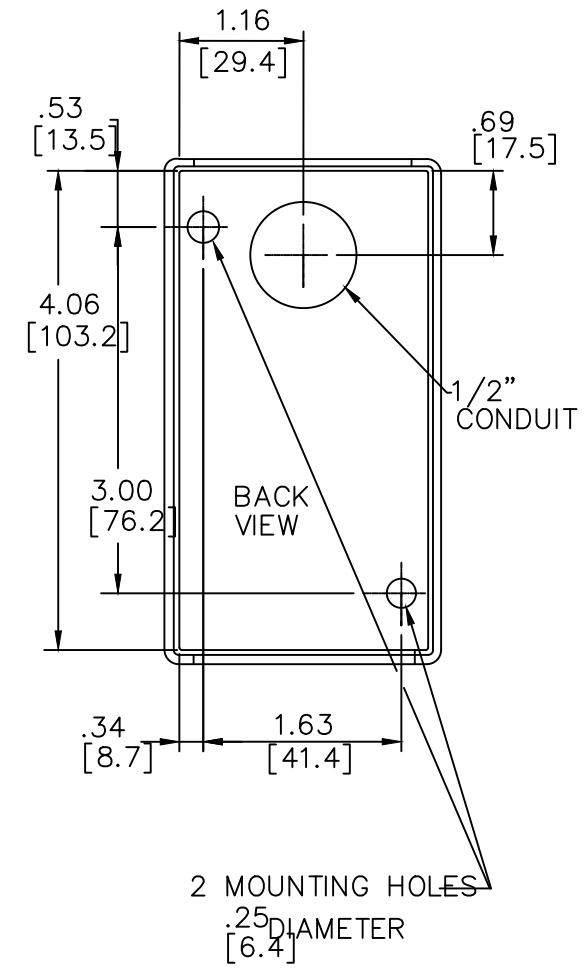
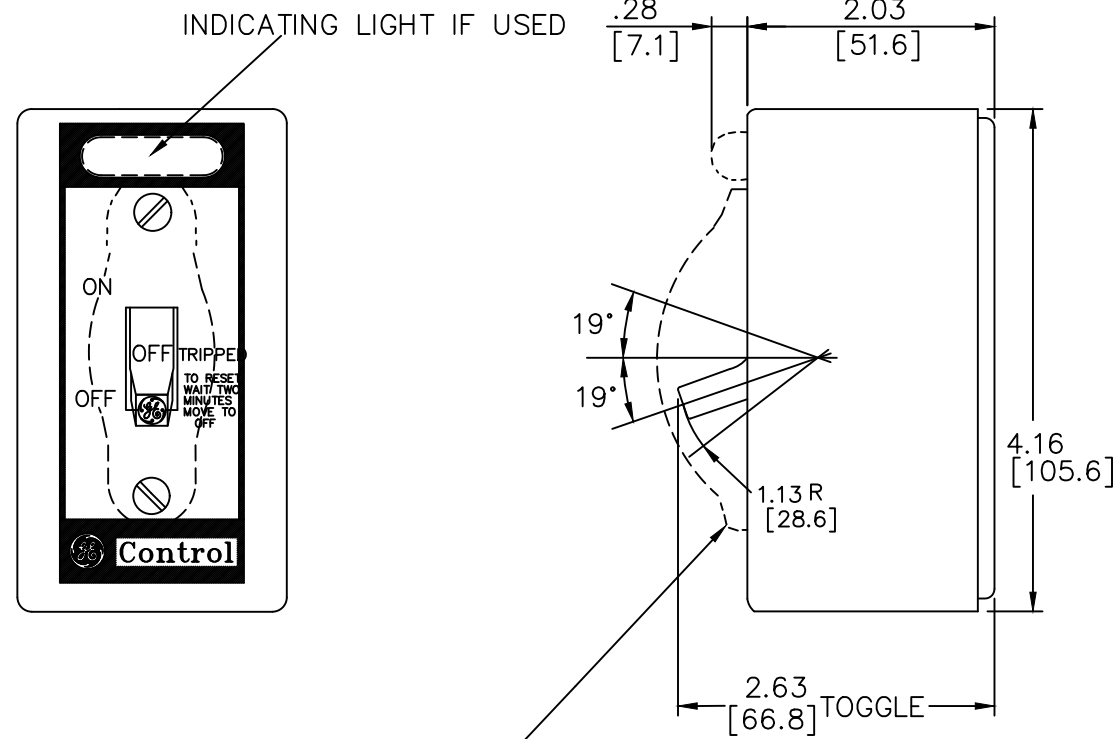


ABB NUMBER: 1SQC910040D0201

ABB

OUTLINE
CR101 TYPE 1

THIRD ANGLE	SHEET#	DWG NO.	DATE	REV
	1 of 1	366B601	04/25	G