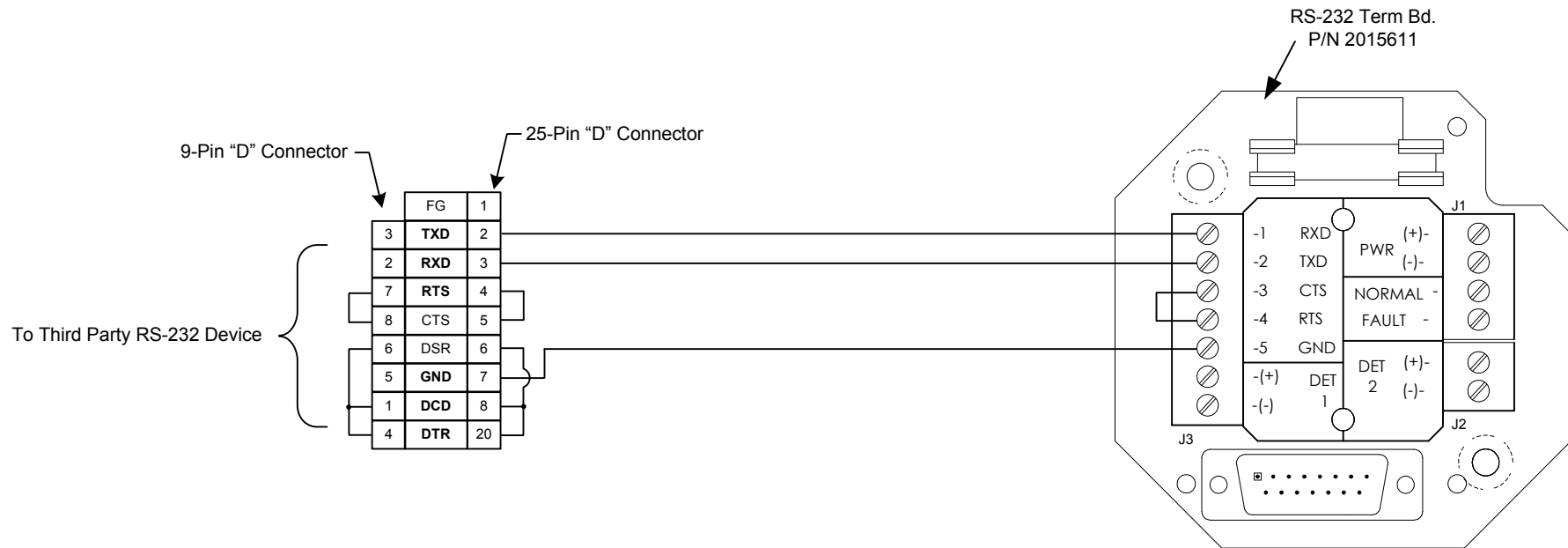


NOTES:

1. Prior to any installation in a classified hazardous location, verify installation methods by the Control Drawing referenced on the product's name tag.
2. To access termination board, remove Power I/O Junction Box front cover.



REF: N/A