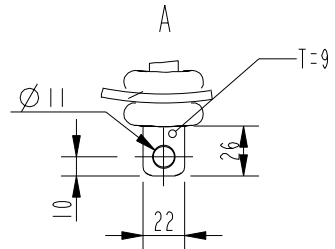
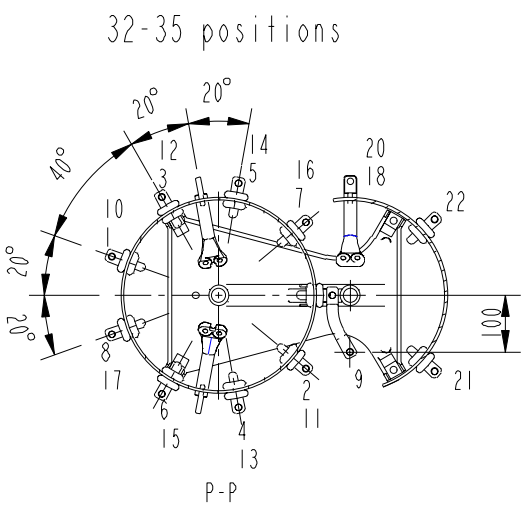
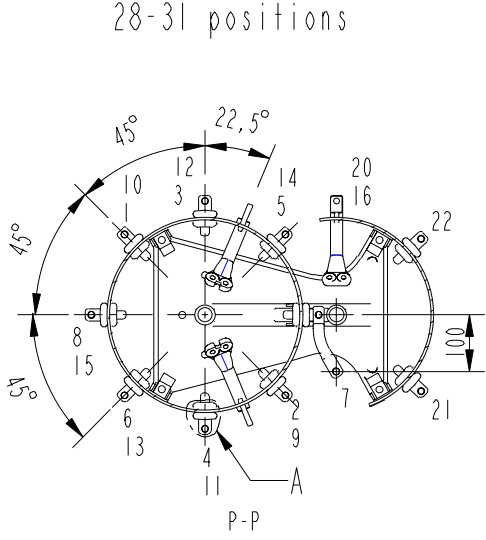
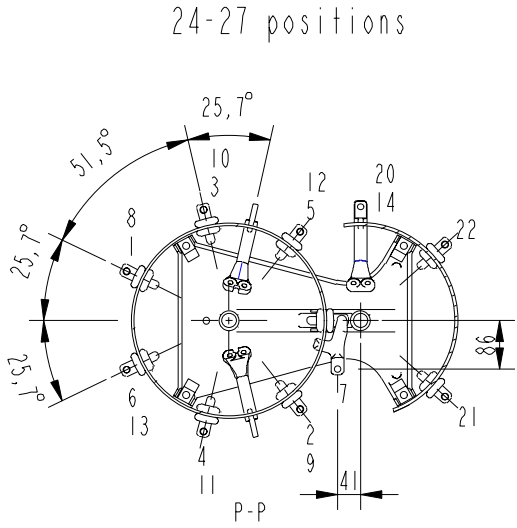
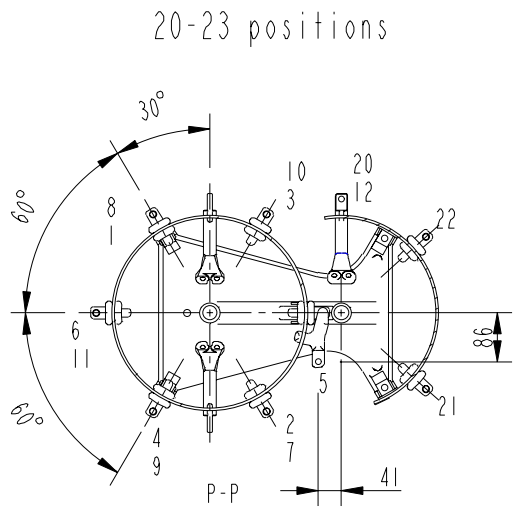
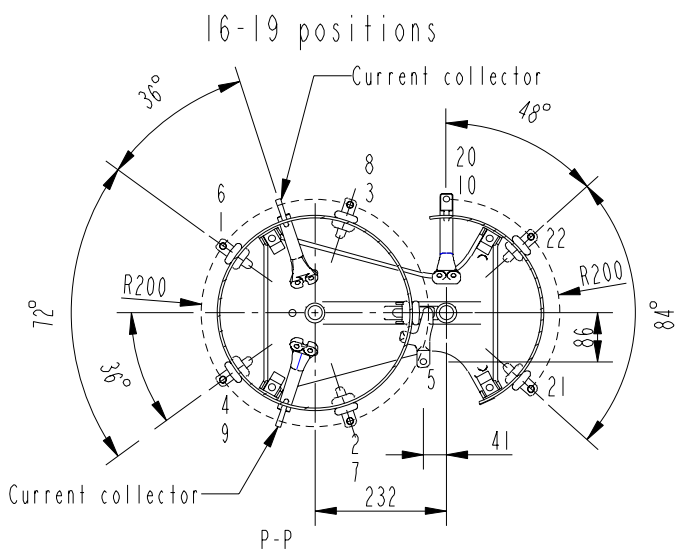




This document is issued by means of a computerized system. The digitally stored original is electronically approved. The approved document has a date entered in the 'Approved'-field. A manual signature is not required.

We reserve all rights in this document and in the information contained therein. Reproduction, use or disclosure to third parties without express authority is strictly forbidden. © Copyright 2015 ABB. All rights reserved.



**ADDITIONAL DRAWINGS:**  
 Connection Diagrams: See Technical Guide UC  
 Mounting on active part: 54920103-1  
 Accessories: 54920103-2  
 Motor Drive BUL: 54830001-1  
 Motor Drive BUE: 54830001-2 or -3  
 External Drive Shaft: 54920083-4  
 Pressure Relay: 54920083-2  
 Bevel Gear: 54920083-1

Date / Approved 2017-06-09	Responsible department PGCO/TK	Document Kind DIMENSION DRAWING	
-------------------------------	-----------------------------------	------------------------------------	--



Title  
Tap-Changer VUCGRE,T  
XXXX/>1200-1500/C 16-35 Pos  
Document Id.  
1ZSC004882-ABL

Revision C	Language 82	Sheet 2/2
---------------	----------------	--------------