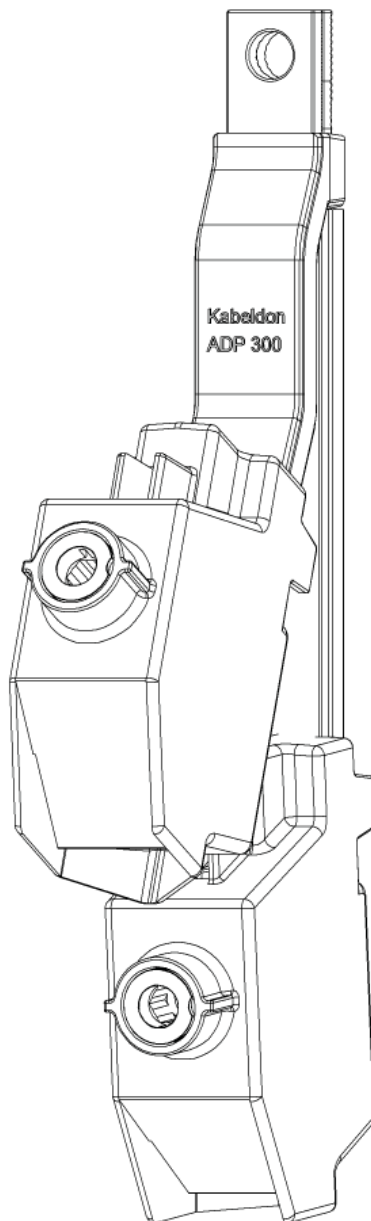


ADP 300

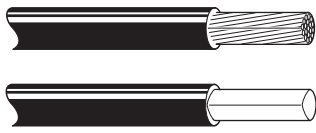
Insulated connector, parallel



1009

$U_e = 400\text{ V}$

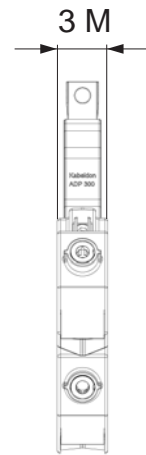
$I_{th\text{ total}} = 630\text{ A}$



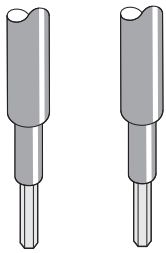
50 - 300 mm²
Al/Cu



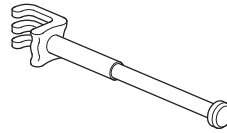
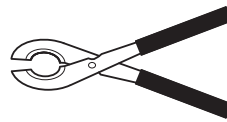
50 - 240 mm² Al/Cu



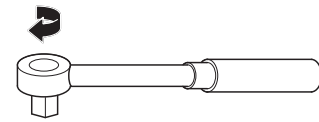
1010
1011
1012
1013



6 mm 8 mm



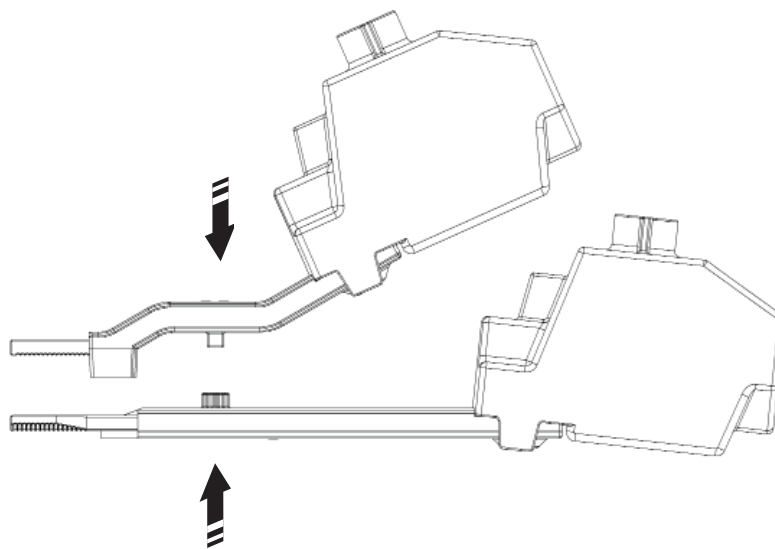
10-45 Nm



1/2"

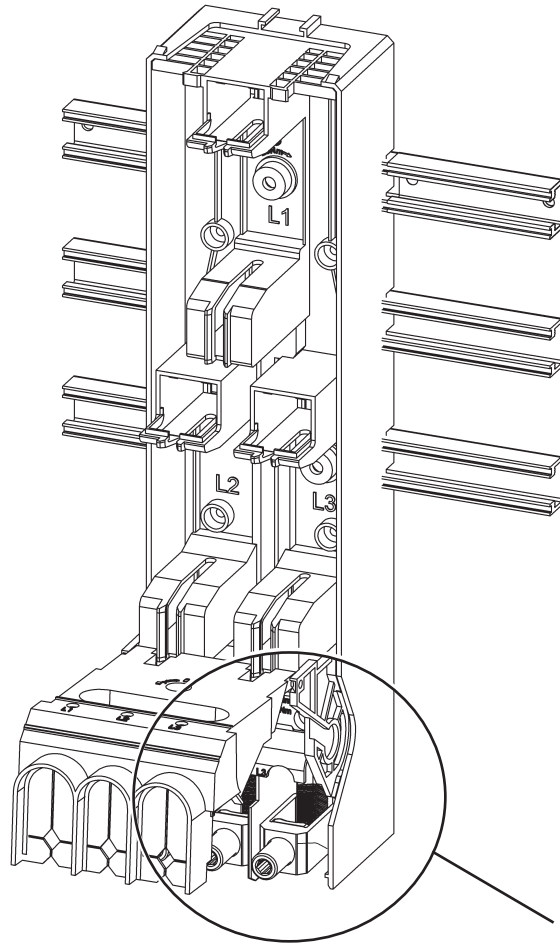
1014
1015
1016
1017

1.

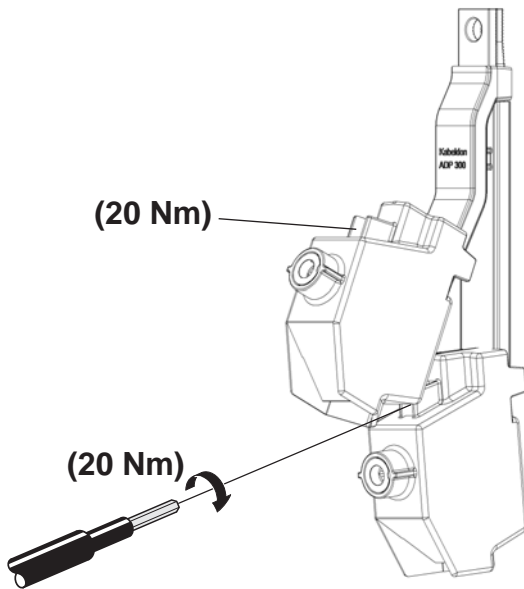


1018

2.

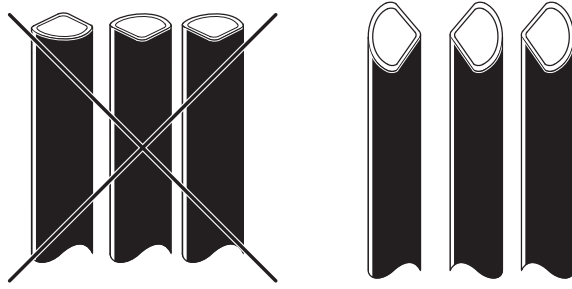


For tightening torque see instruction for applicable unit



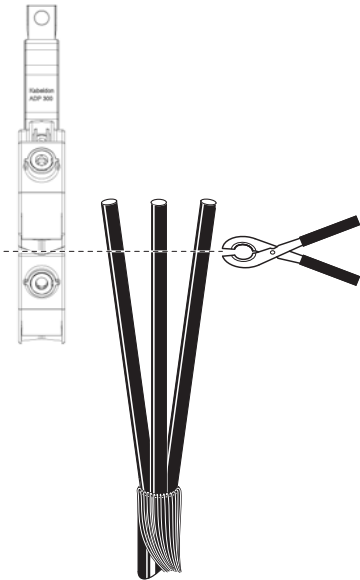
1019
1020

3.

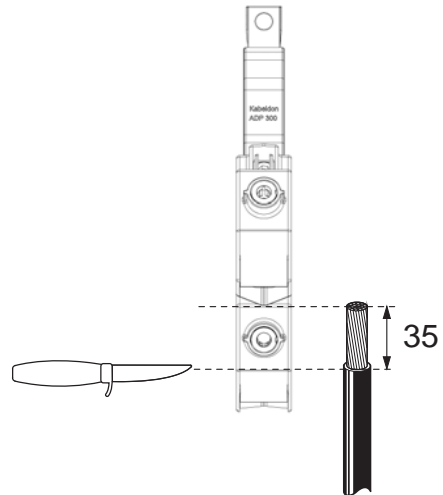


1022

4.

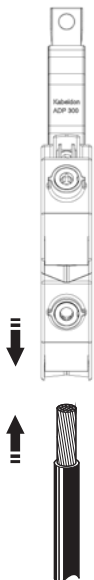


5.

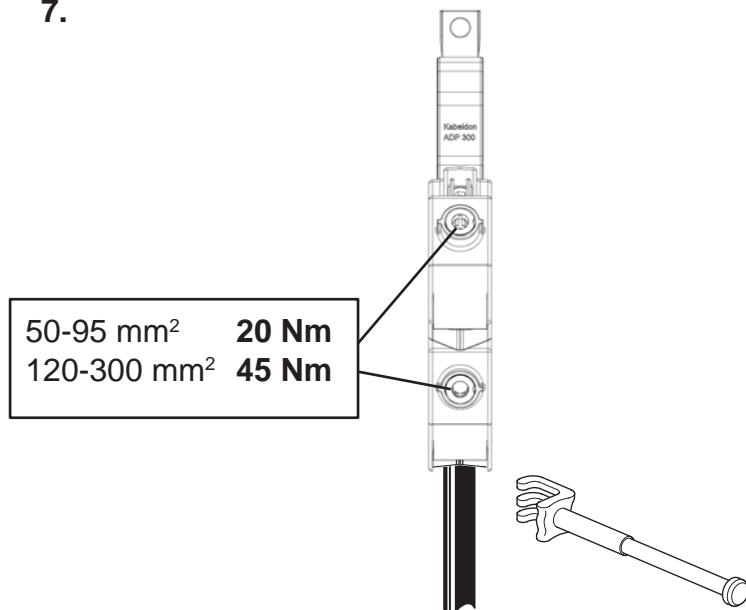


1023
1024

6.



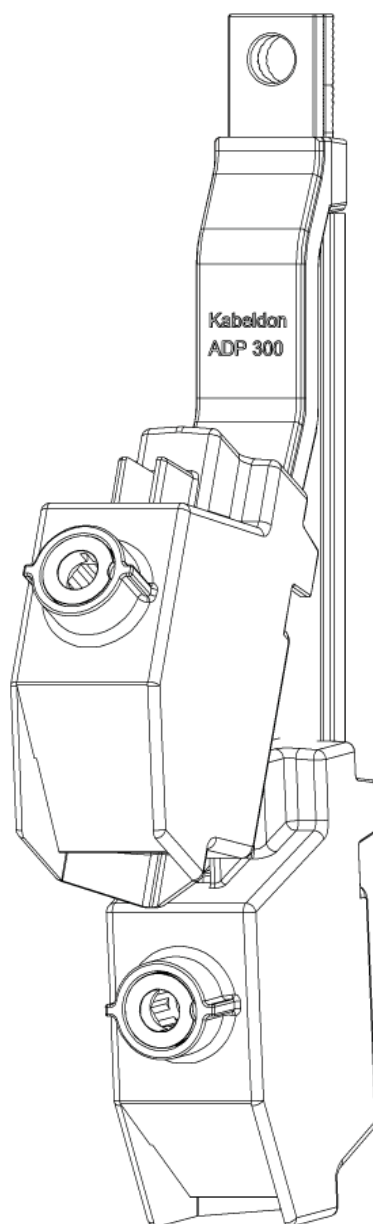
7.



1025
1026

ADP 300

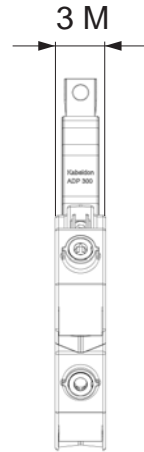
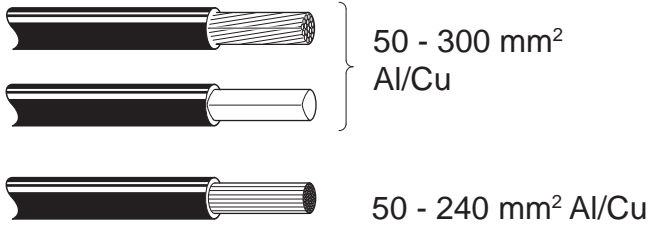
Isolerande anslutningsdon, parallell



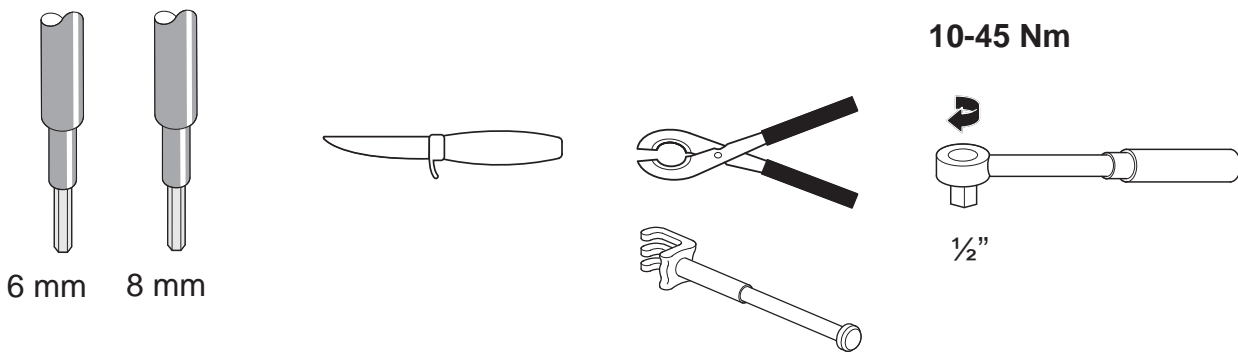
1009

$U_e = 400 \text{ V}$

$I_{th} \text{ total} = 630 \text{ A}$

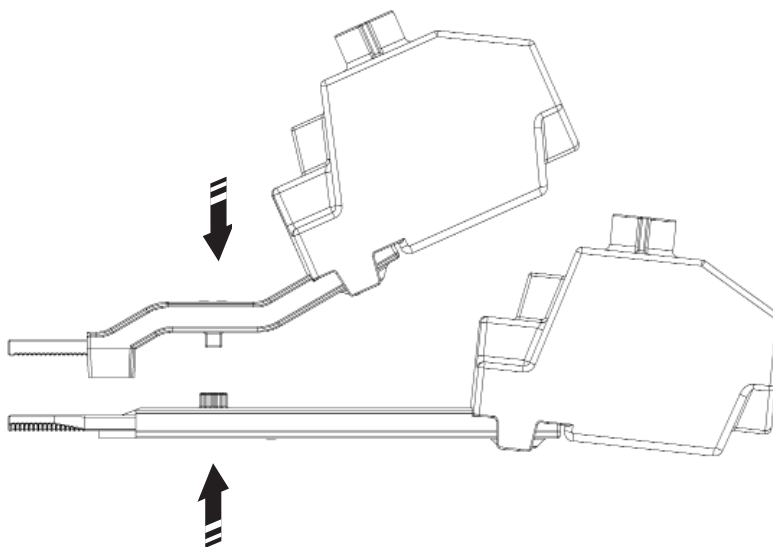


1010
1011
1012
1013



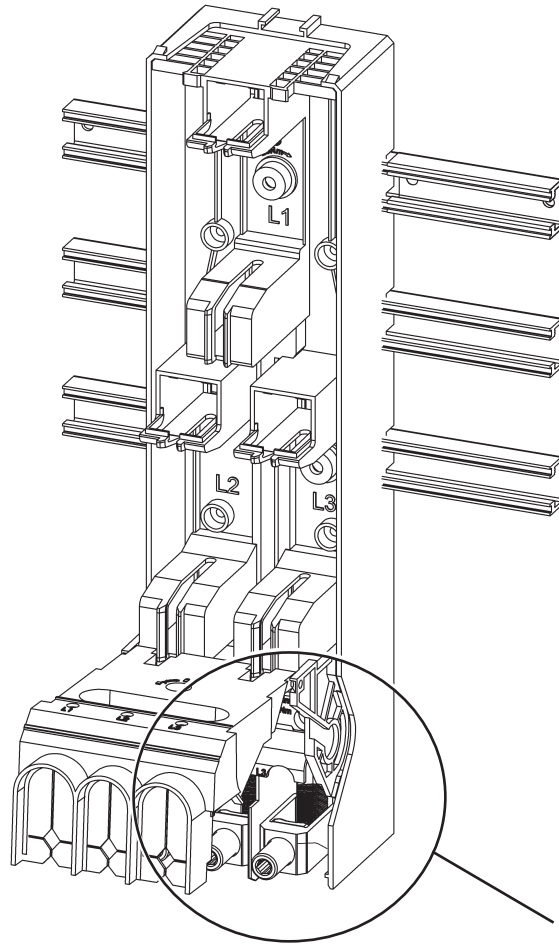
1014
1015
1016
1017

1.

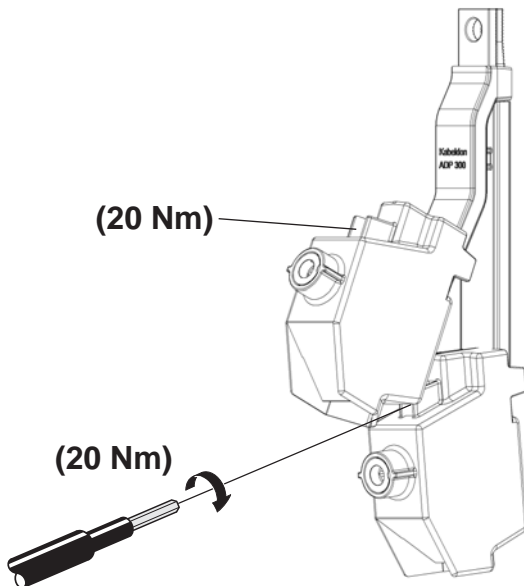


1018

2.

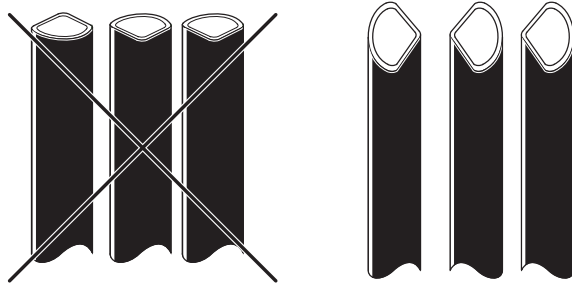


För moment se instruktion för aktuell apparat



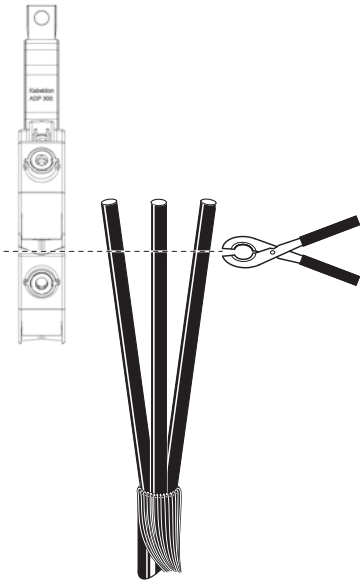
1019
1020

3.

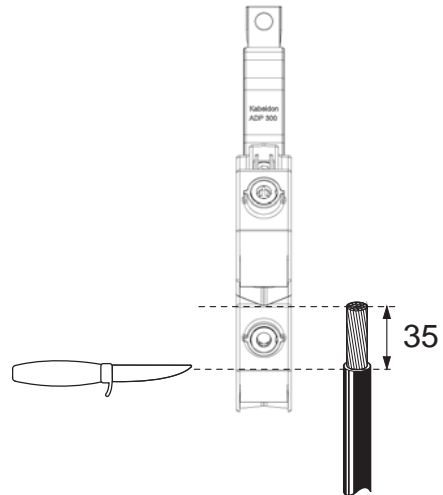


1022

4.

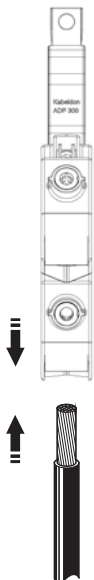


5.

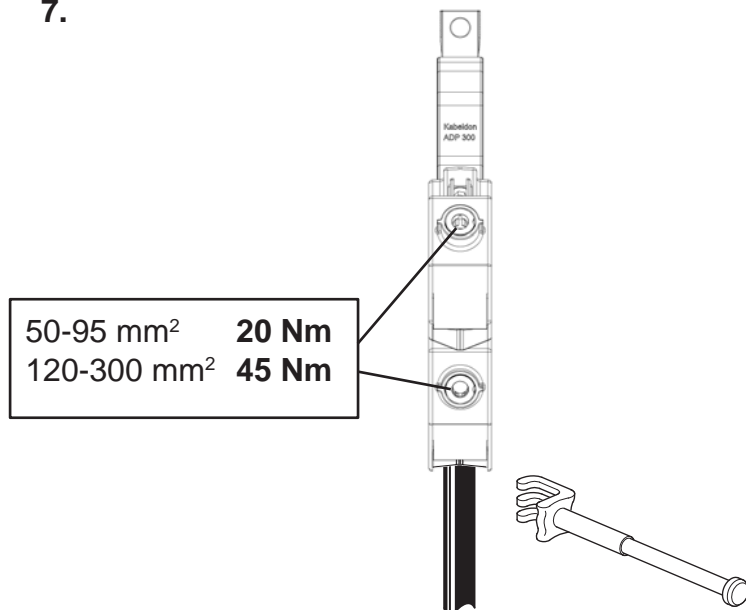


1023
1024

6.



7.



1025
1026