

SACE Emax 2

Dispositivo Fail Safe - E2.2-E4.2-E6.2

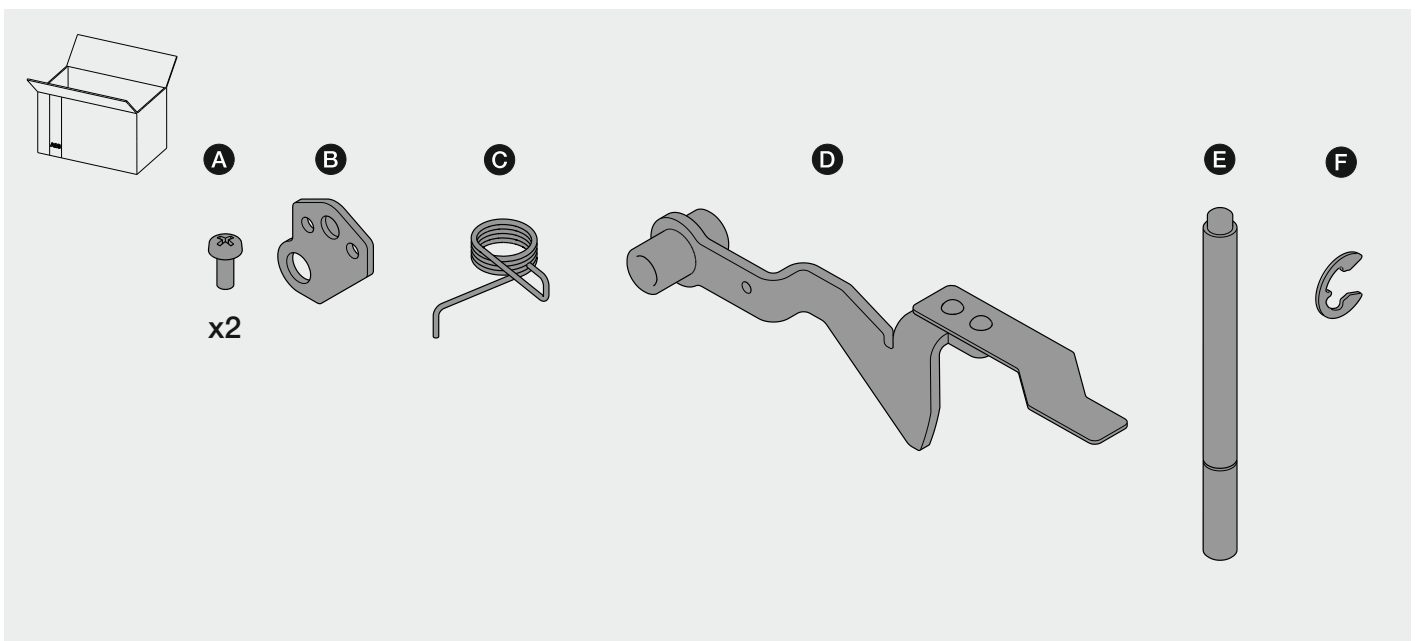
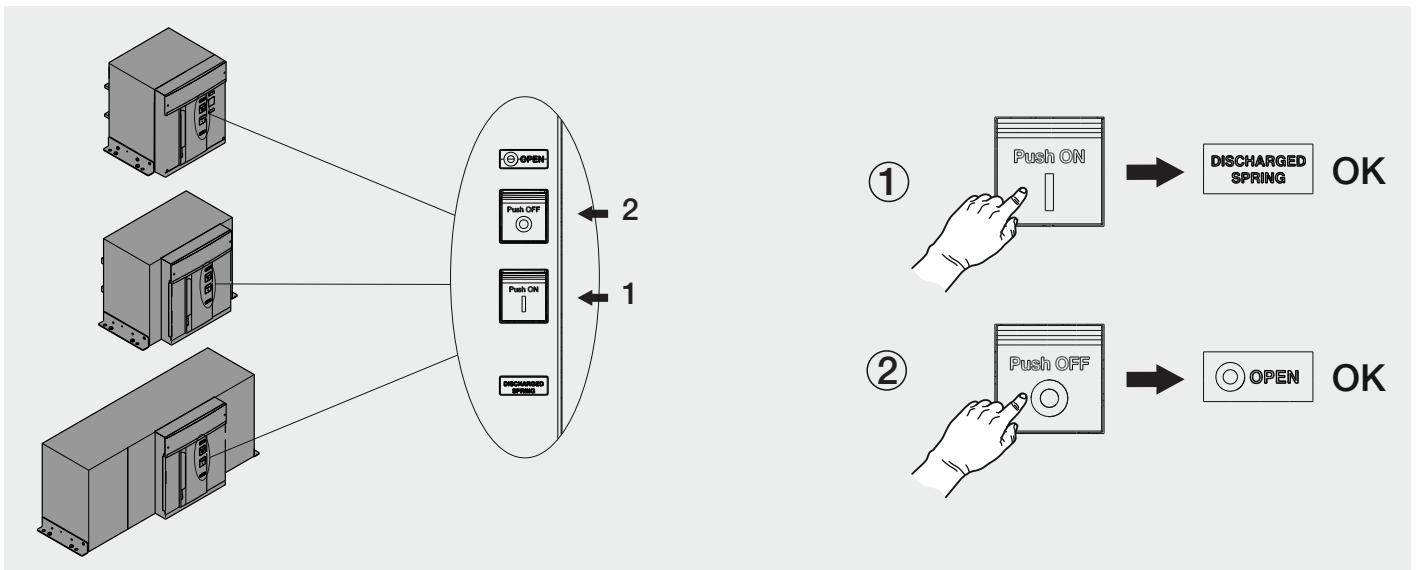
Fail-safe device - E2.2-E4.2-E6.2

Fail-safe-Vorrichtung - E2.2-E4.2-E6.2

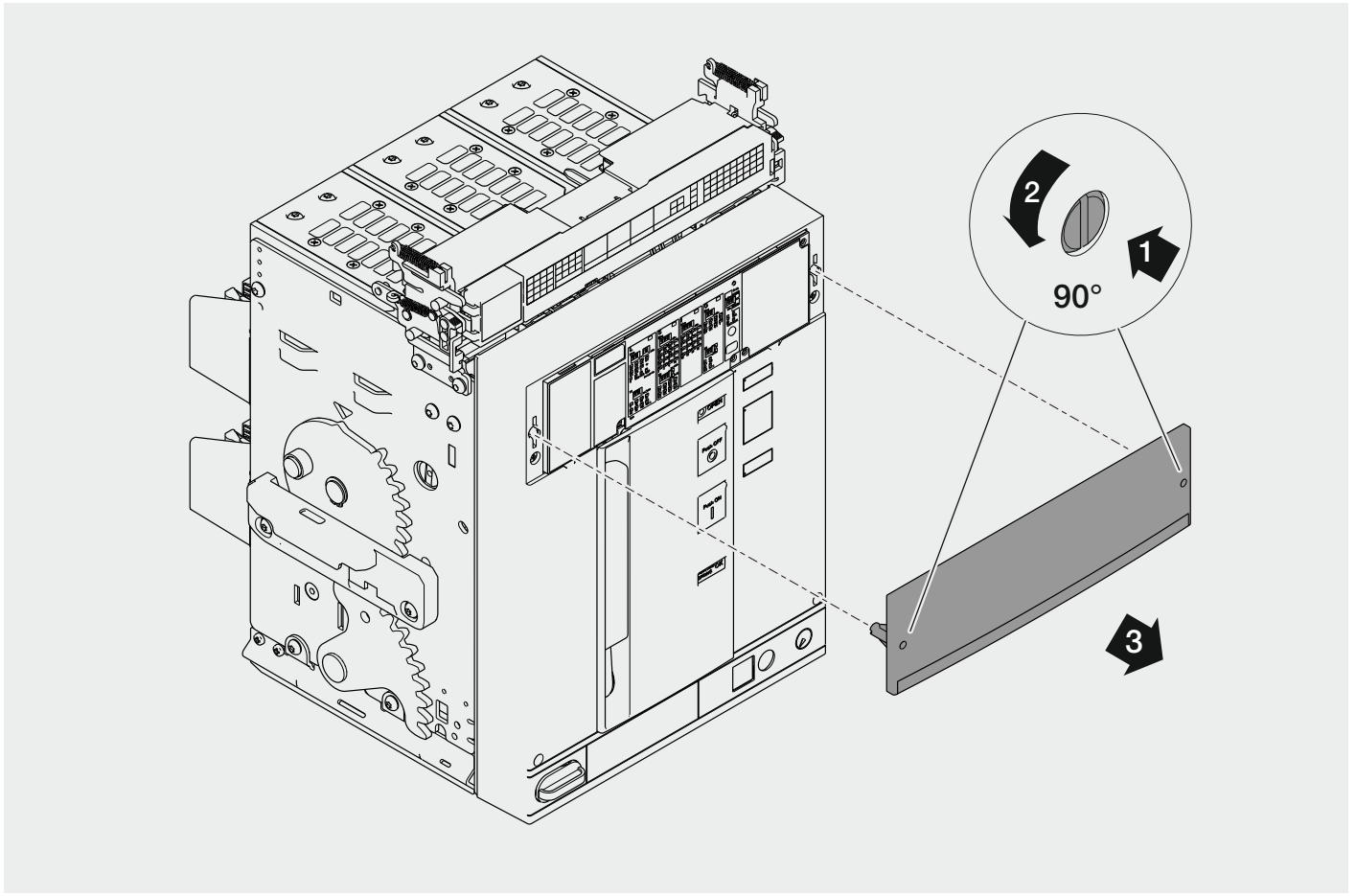
Dispositif Fail Safe - E2.2-E4.2-E6.2

Dispositivo Fail Safe - E2.2-E4.2-E6.2

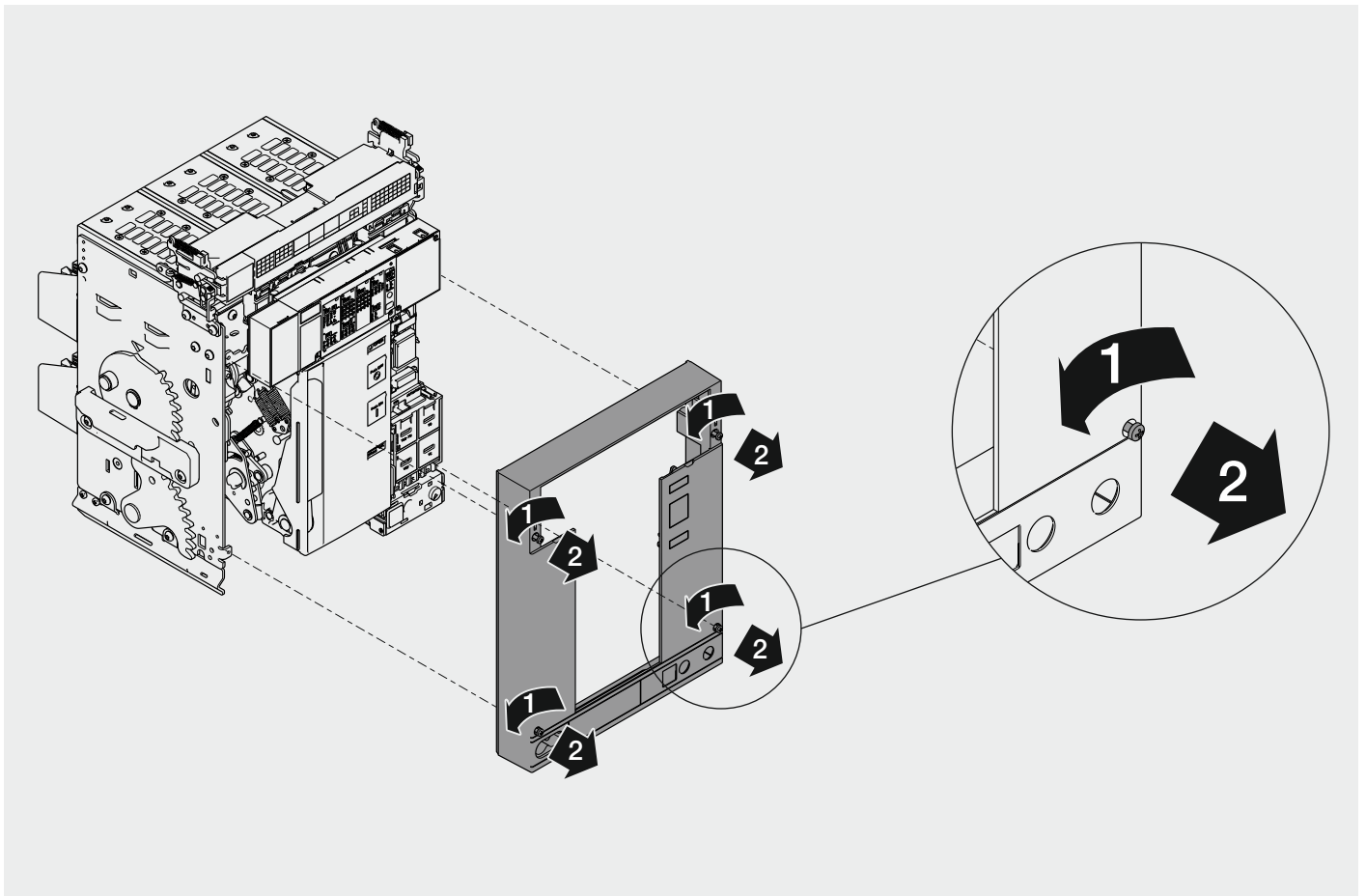
E2.2-E4.2-E6.2

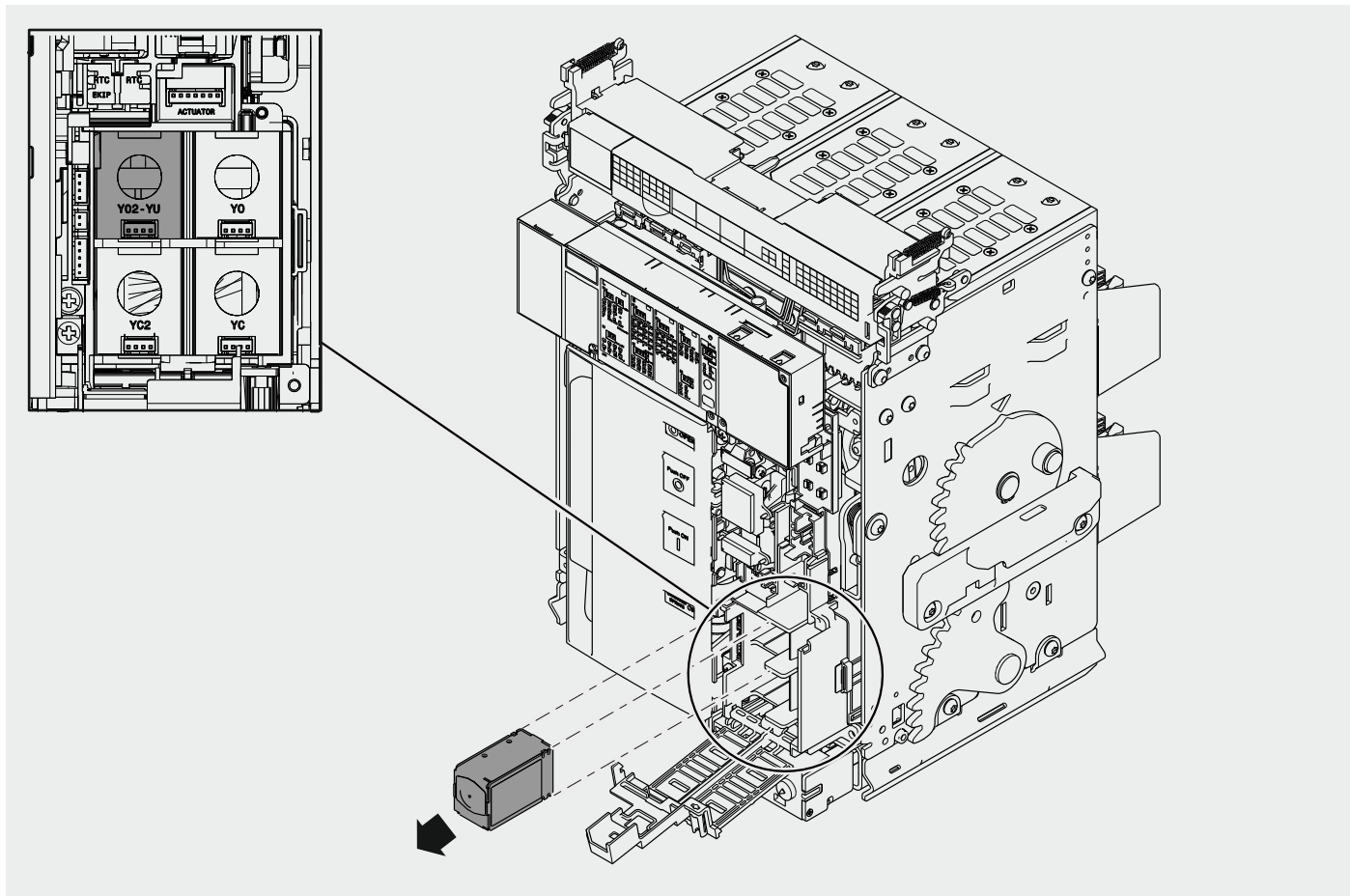
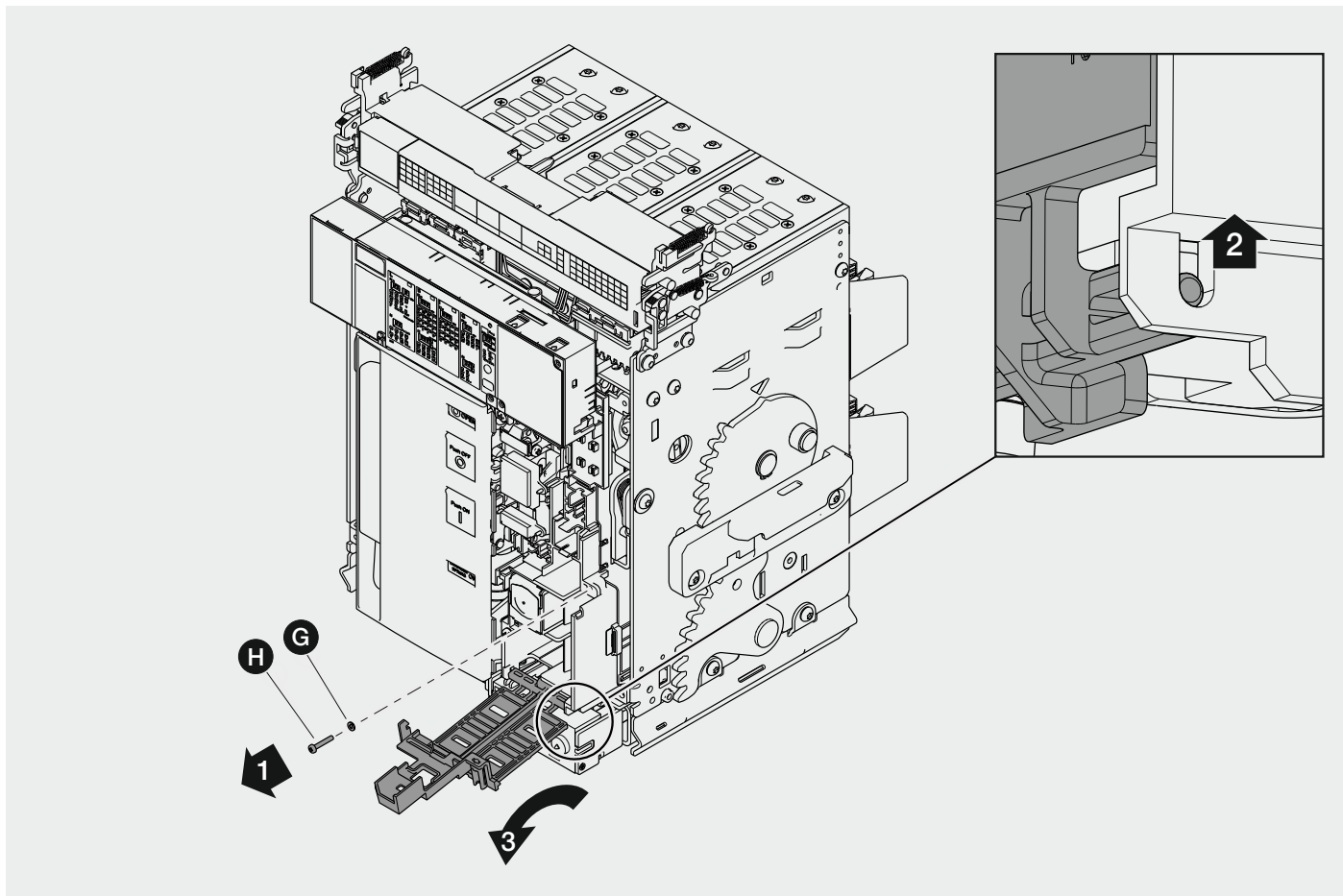


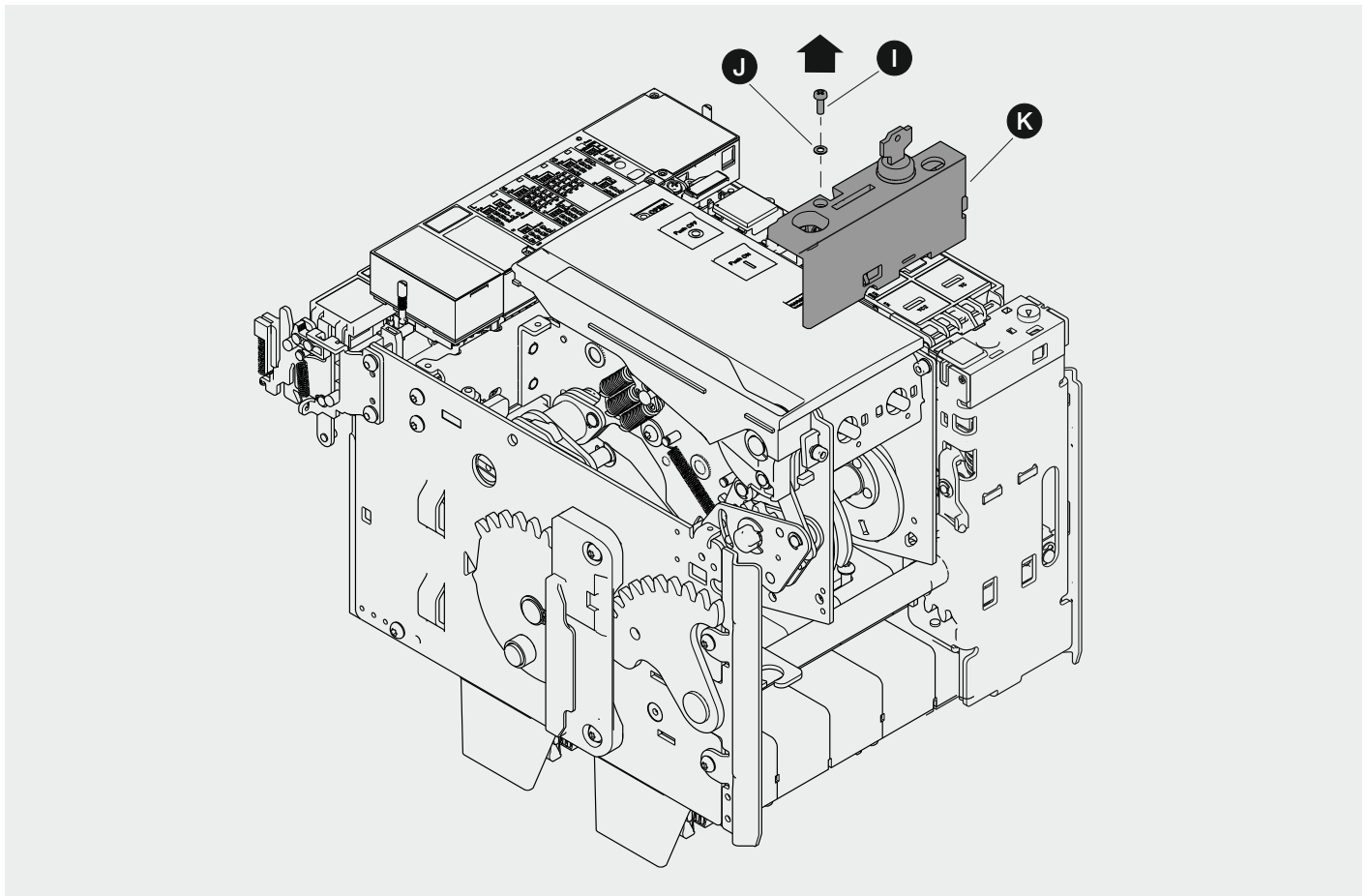
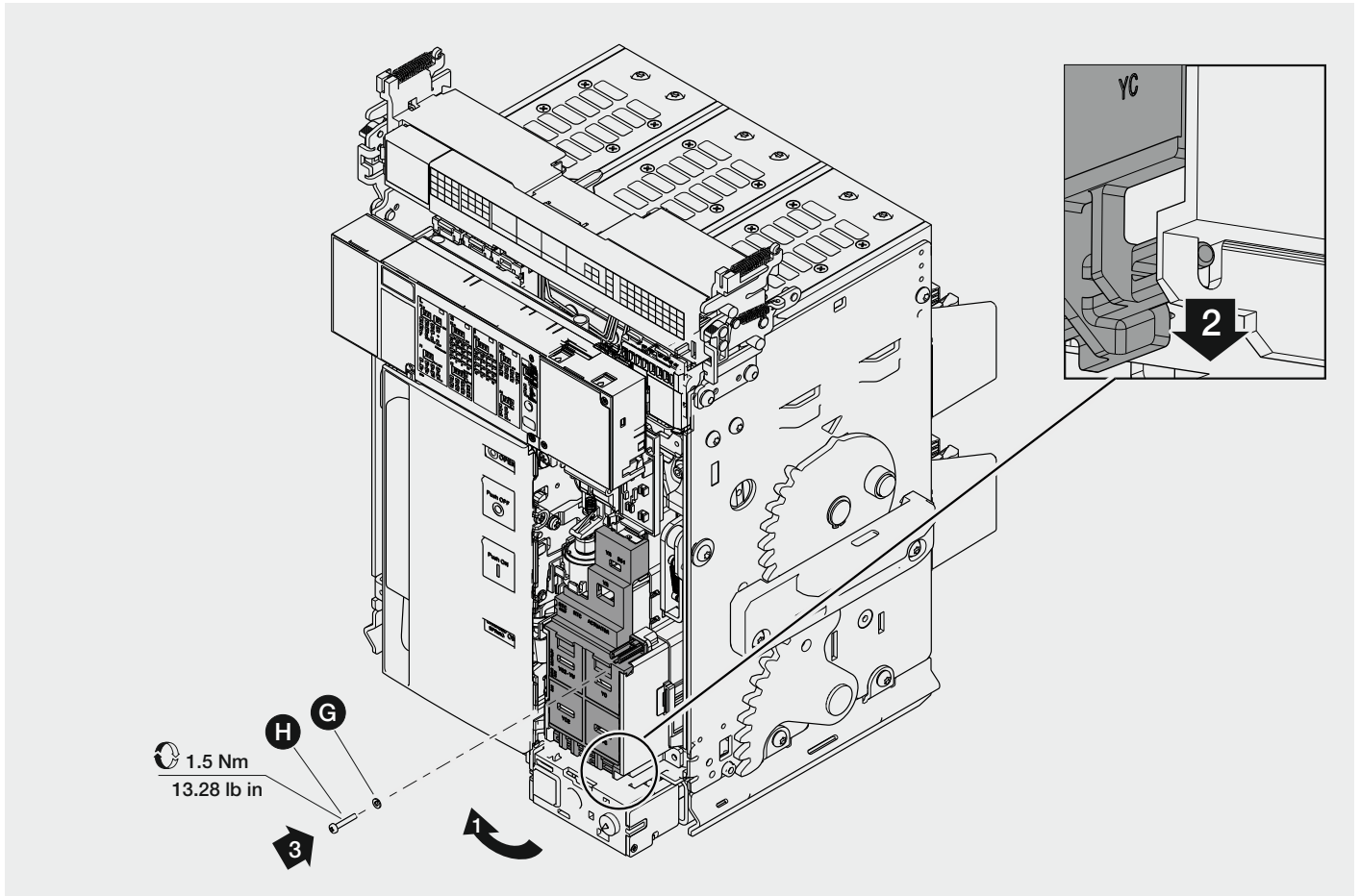
1

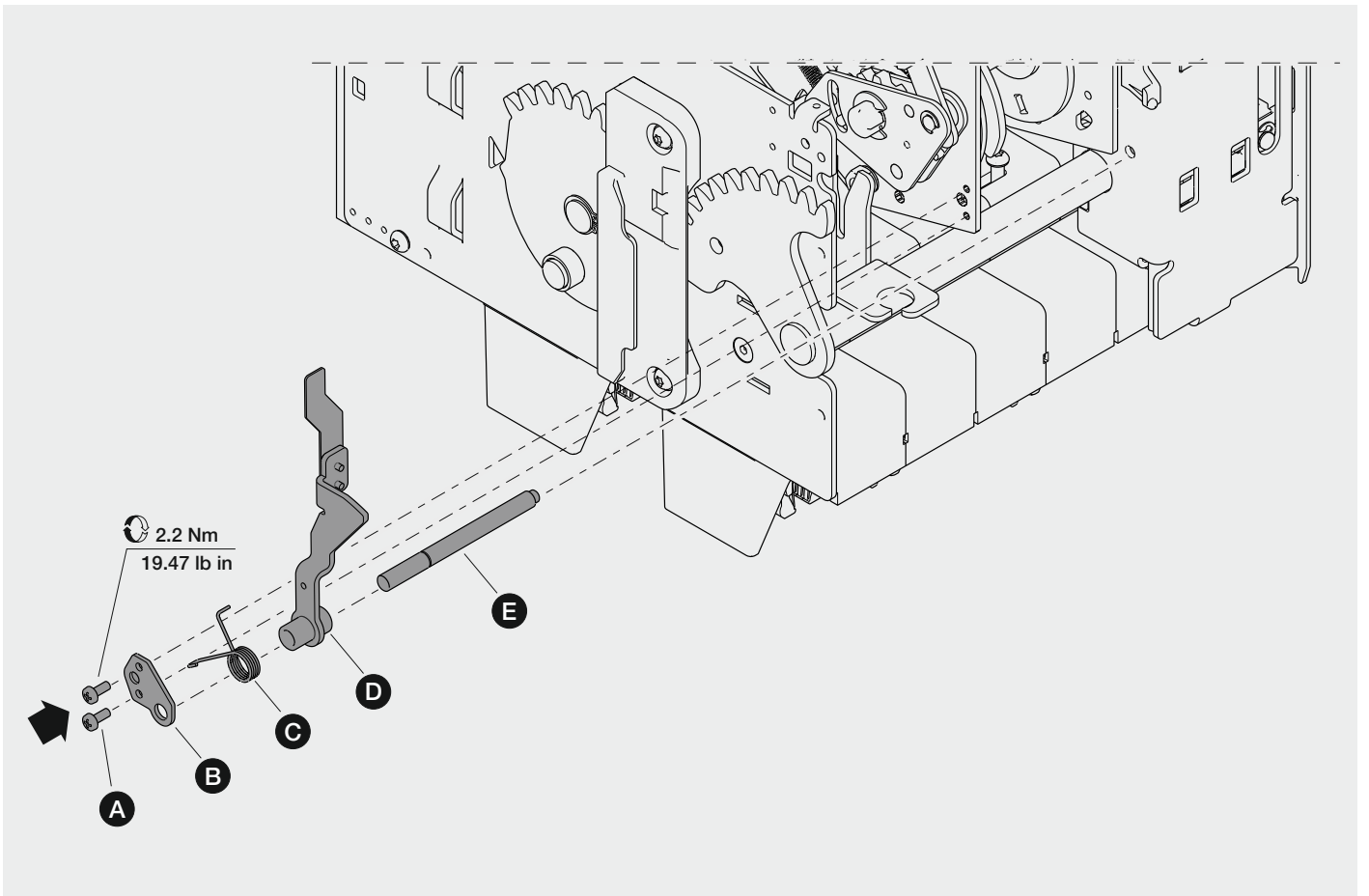
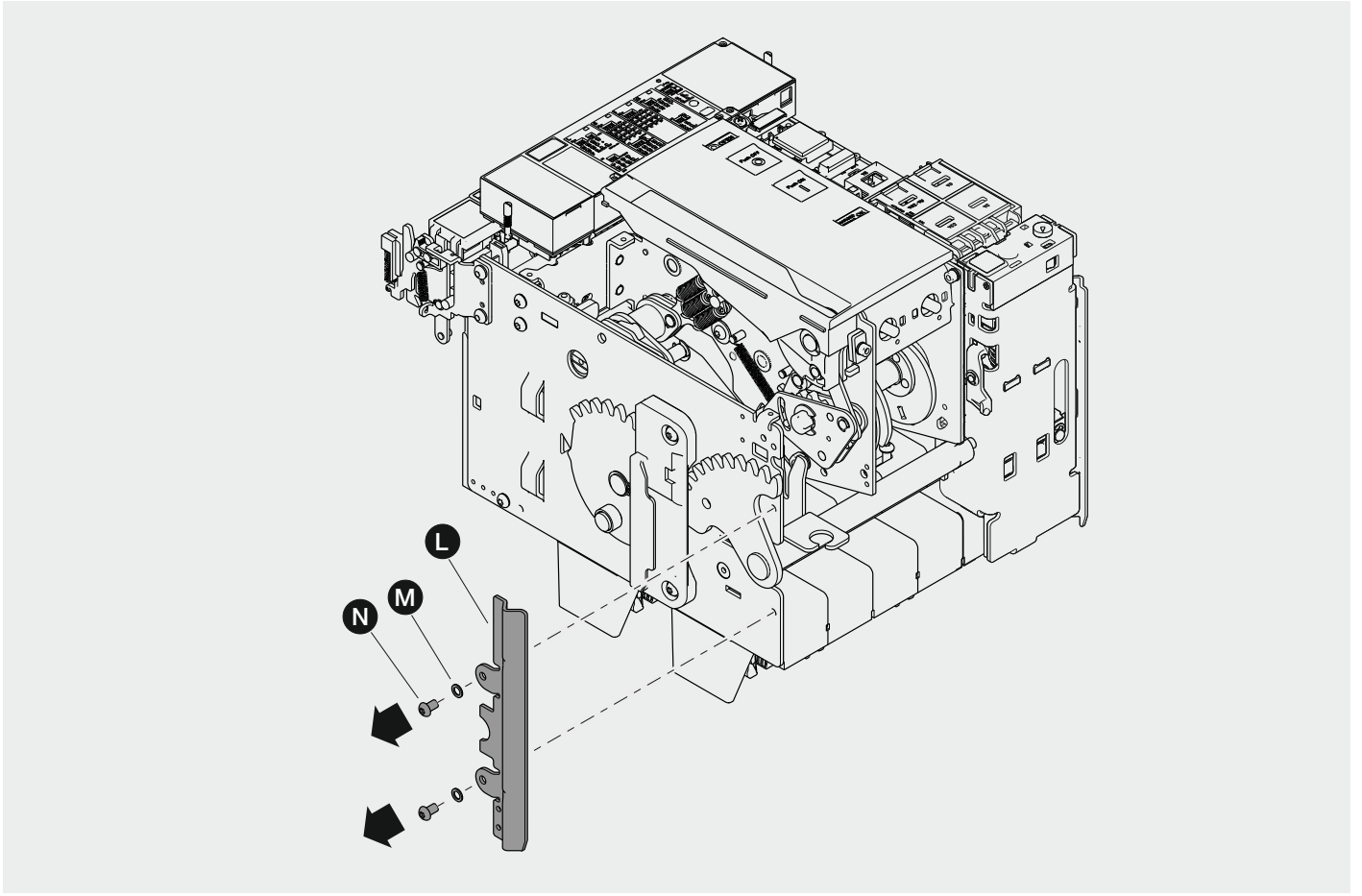


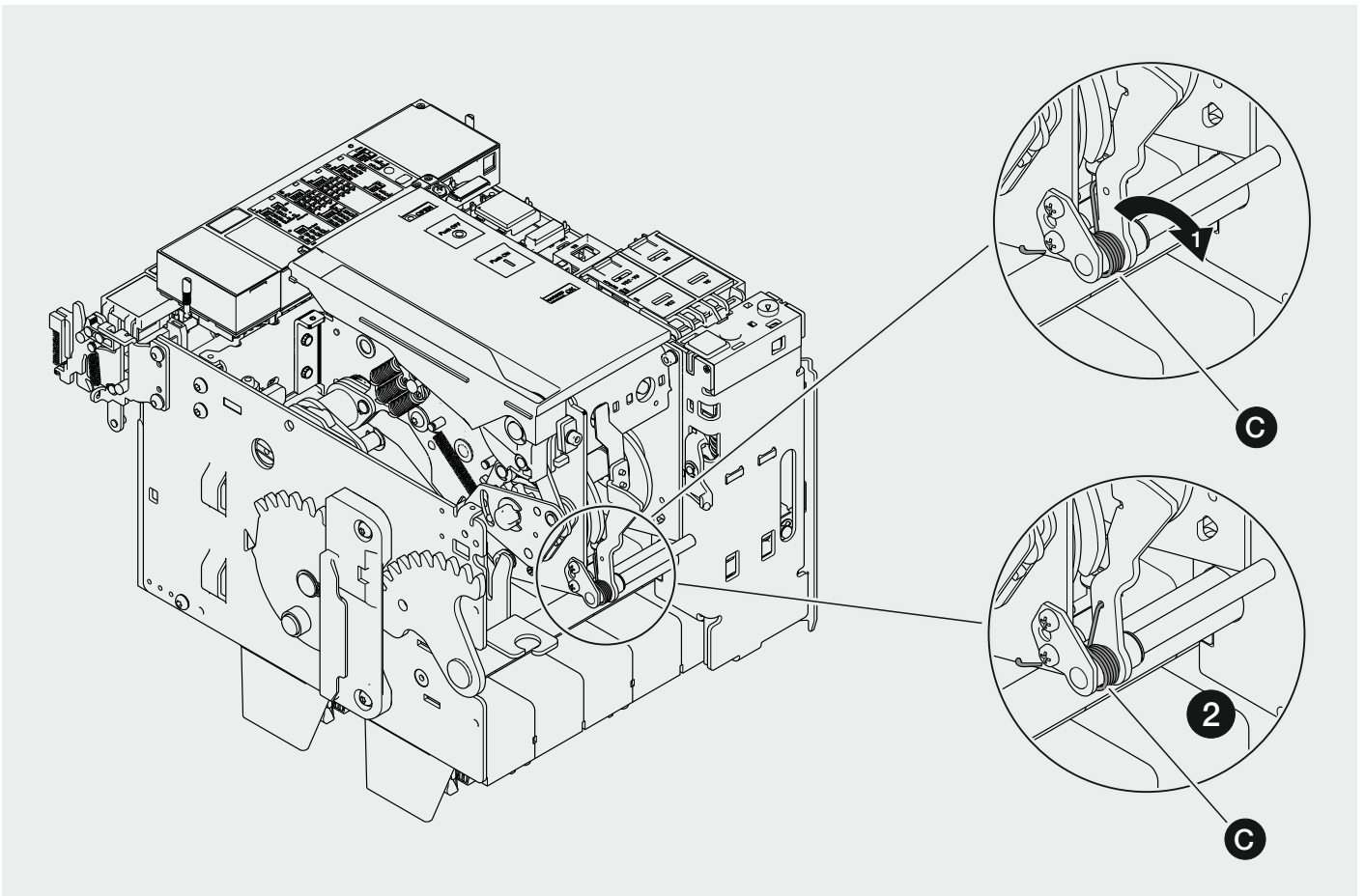
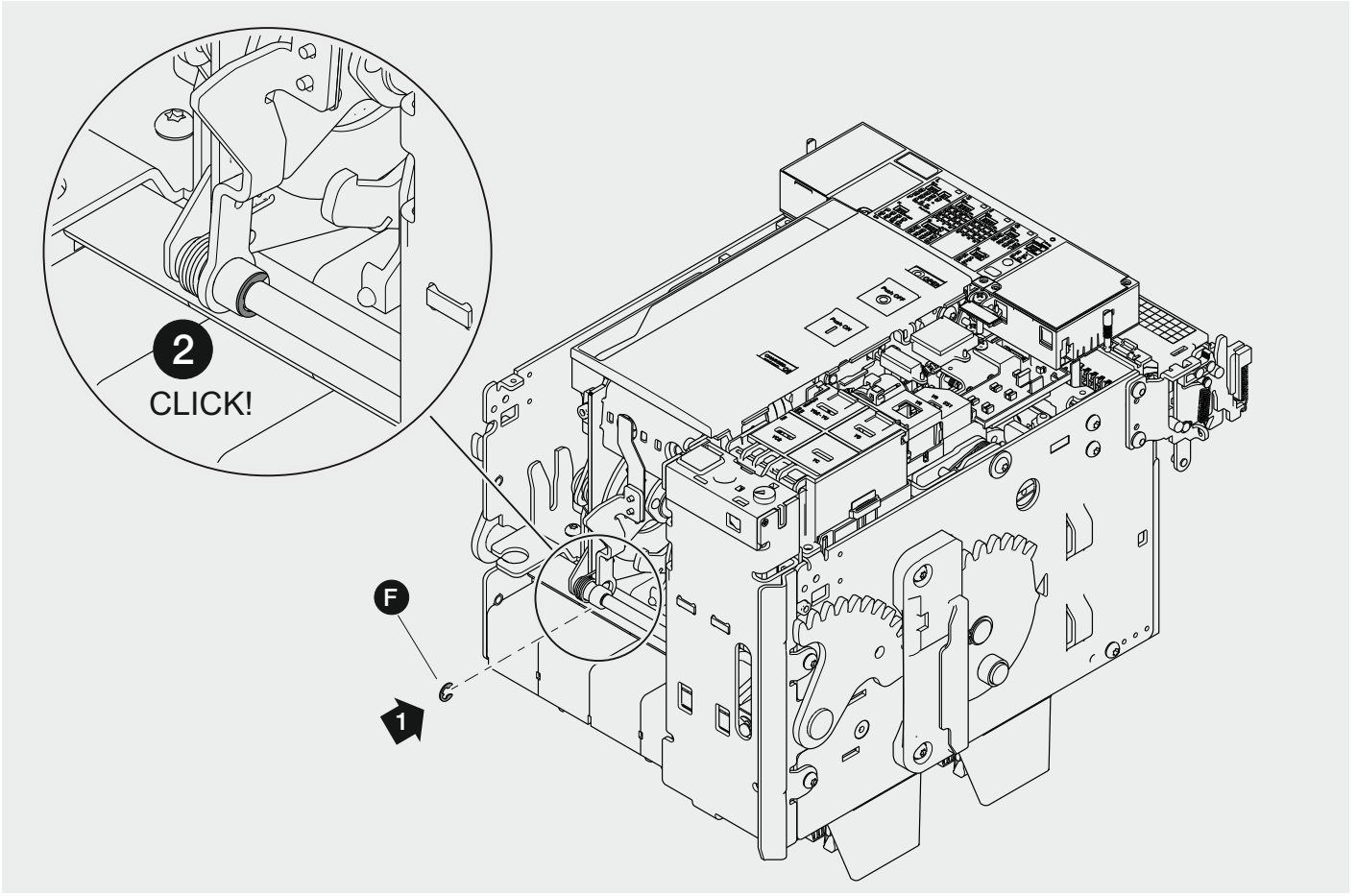
2

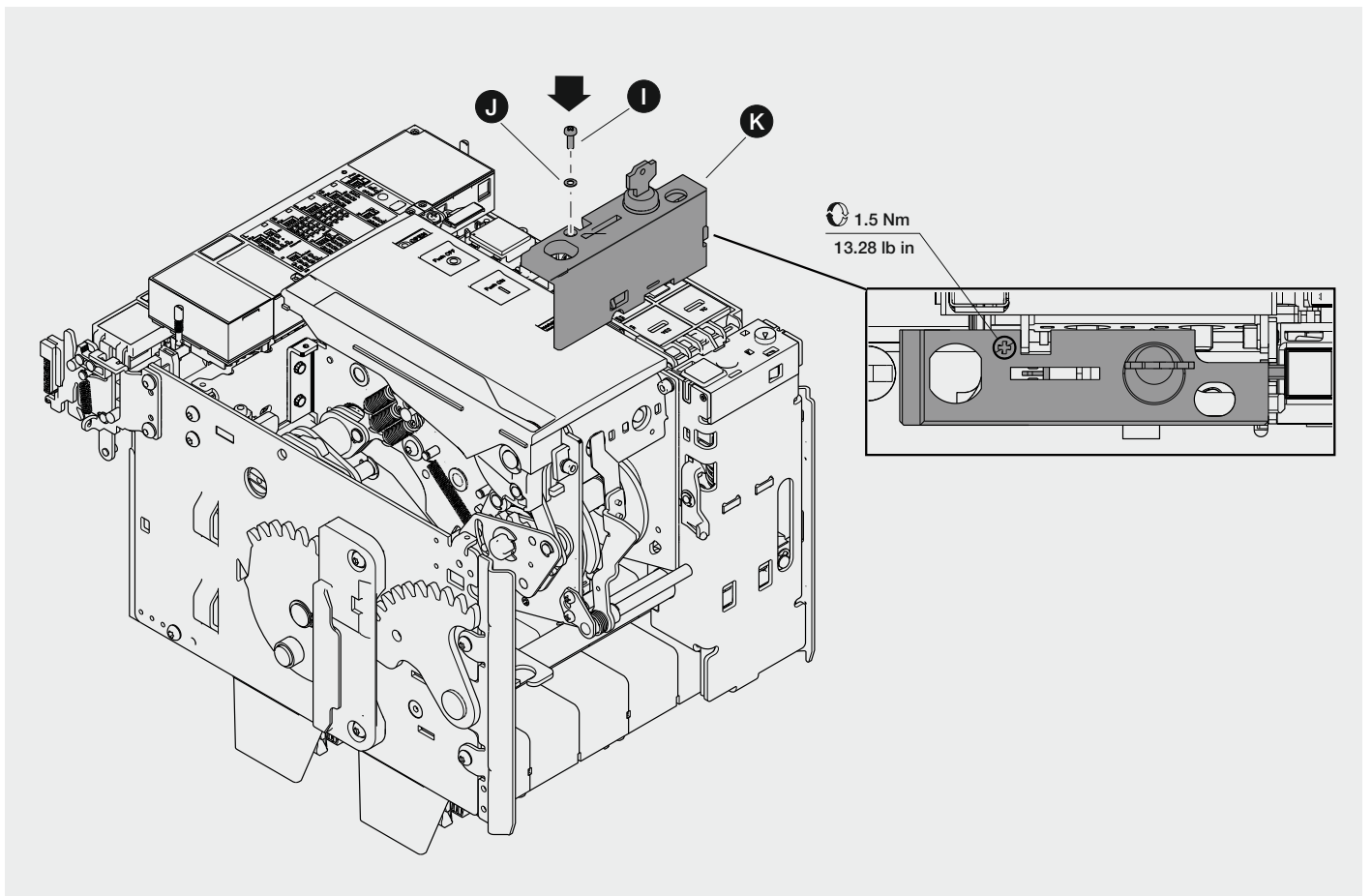
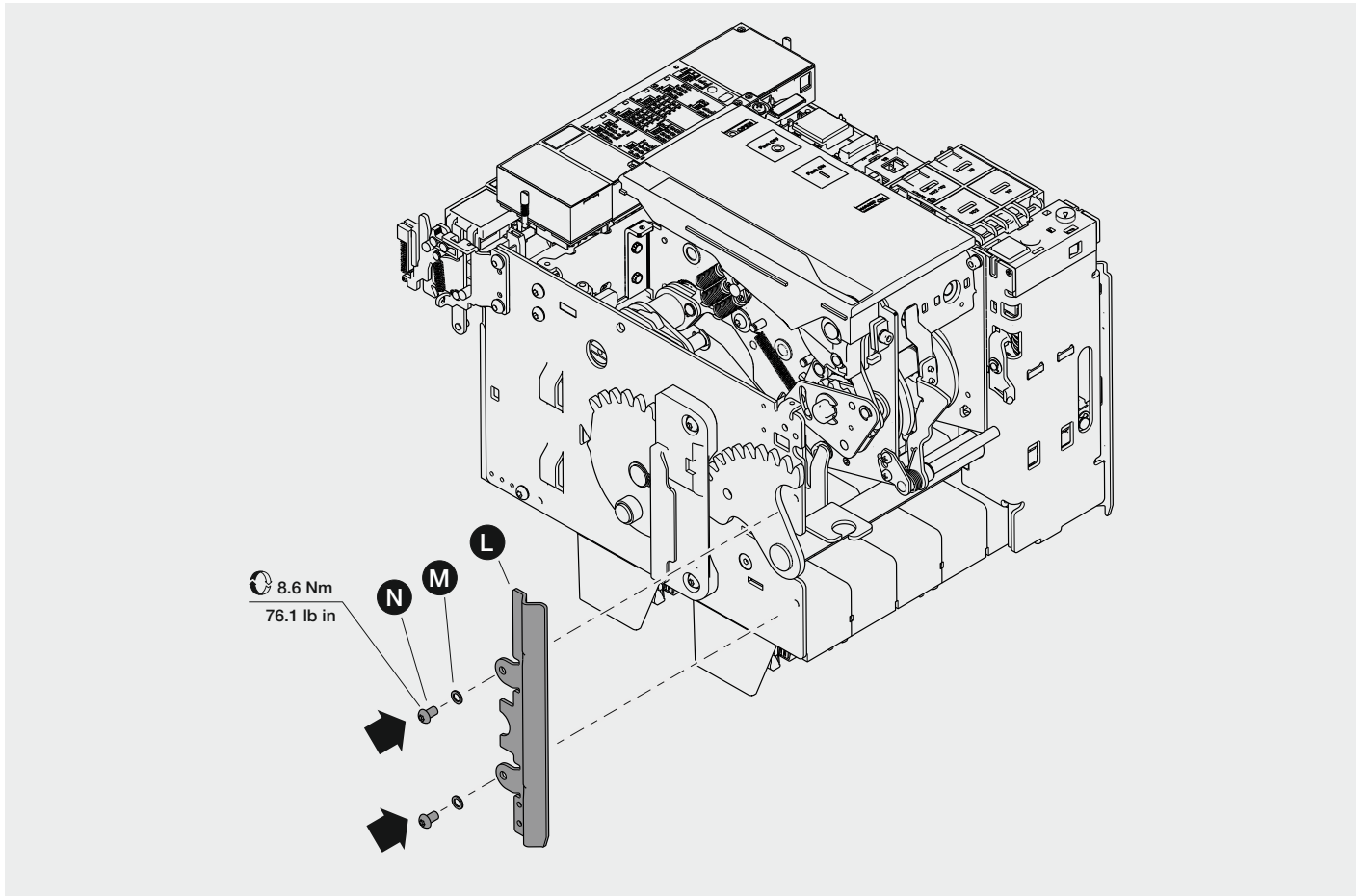


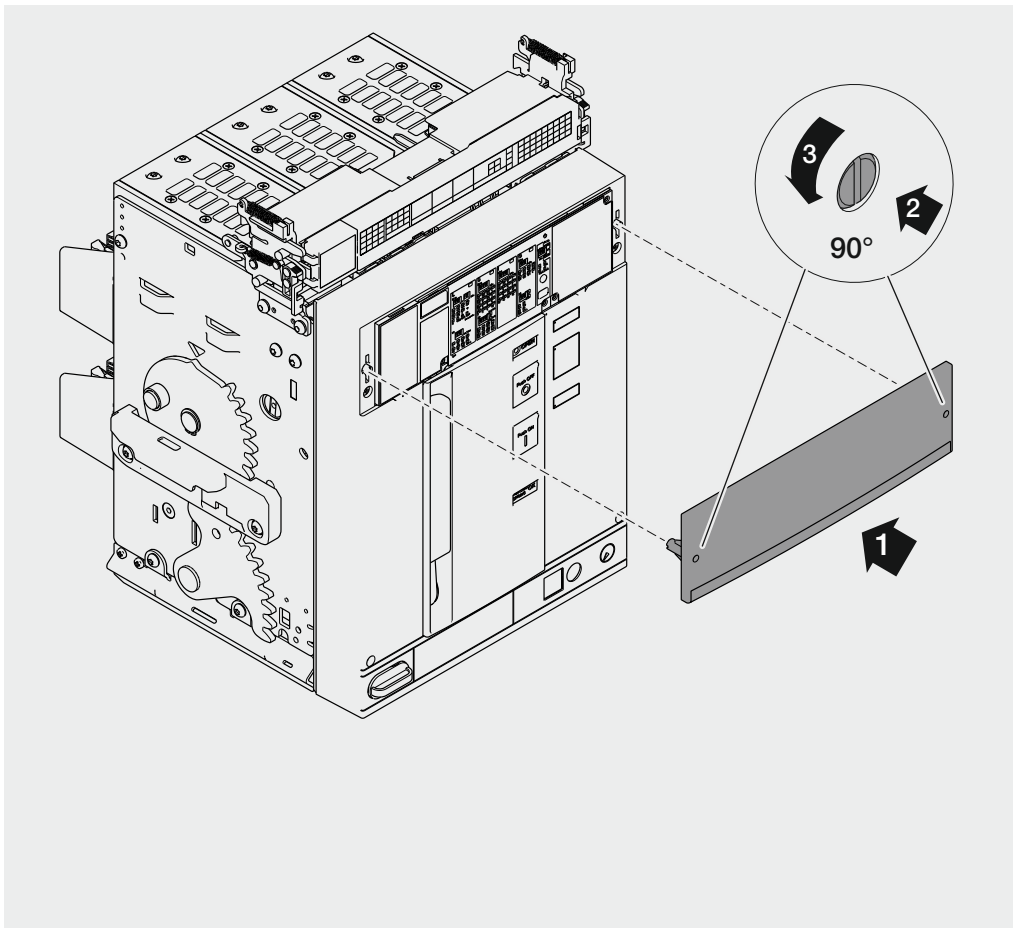
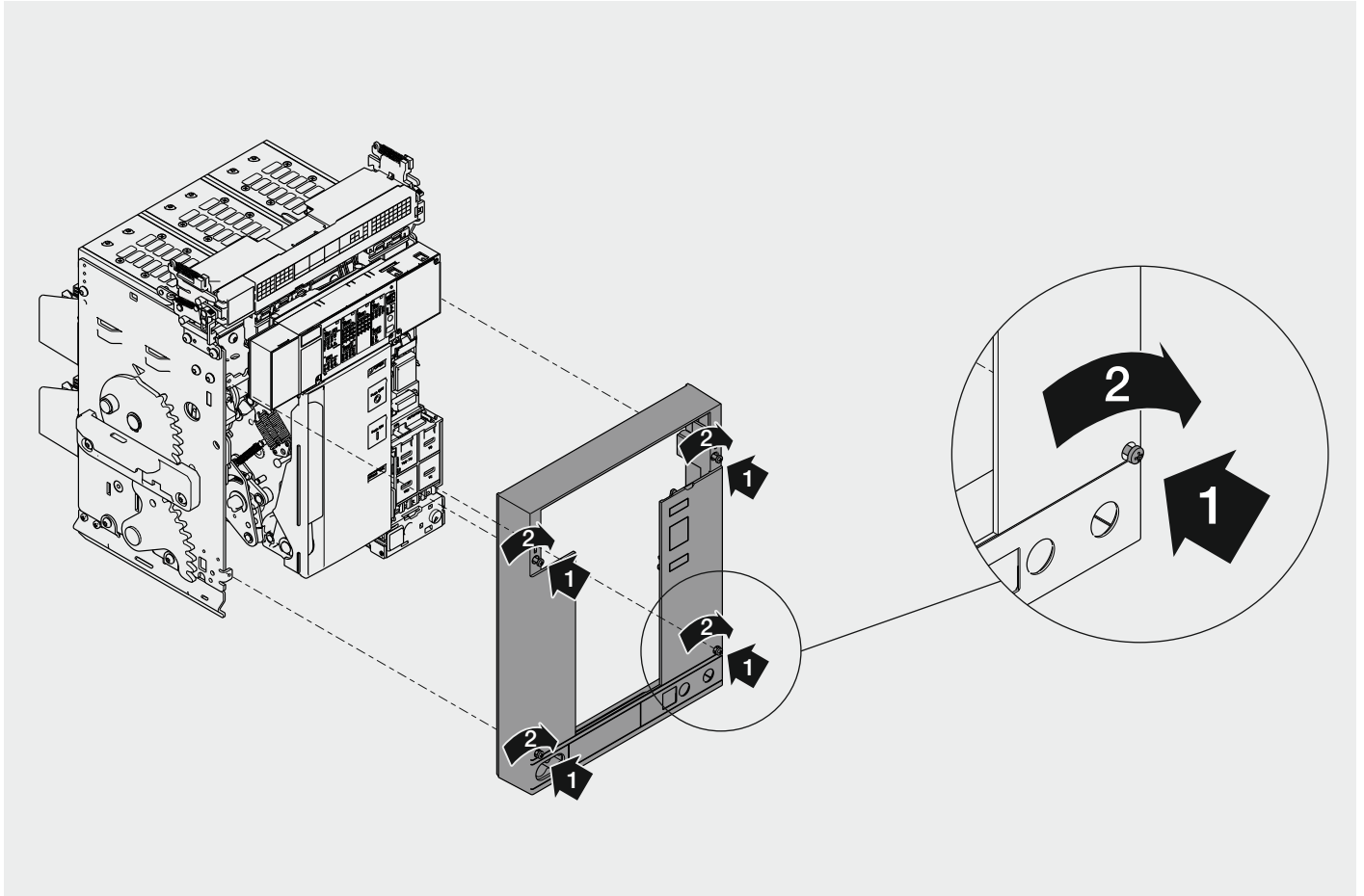












For more information please contact:

ABB S.p.A.
 ABB SACE Division
 Via Baioni, 35
 24123 Bergamo - Italy
 Phone: +39 035 395 111
 Fax: +39 035 395 306 - 433