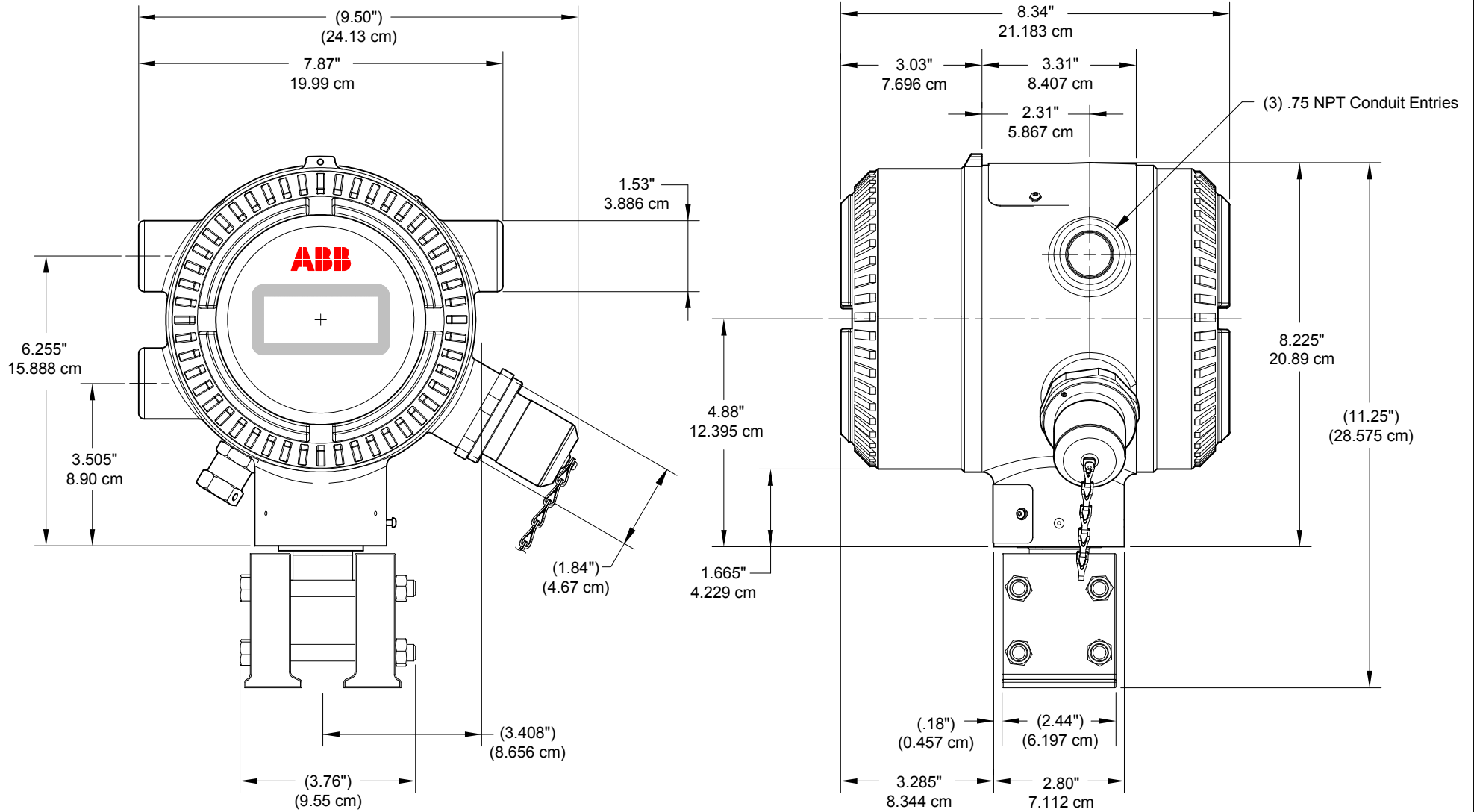



NOTES:

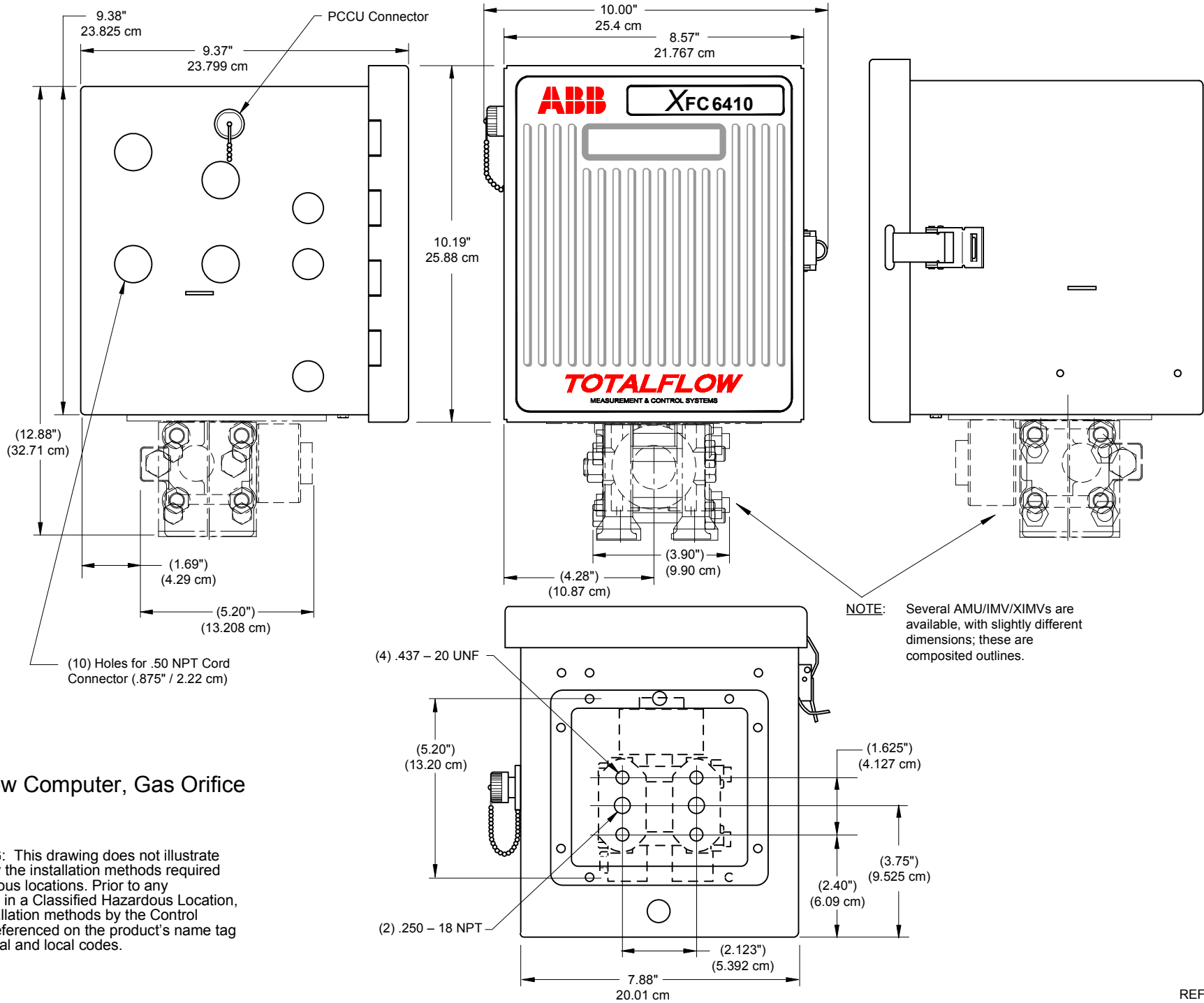
1. WARNING: This drawing does not illustrate completely the installation methods required for hazardous locations. Prior to any installation in a Classified Hazardous Location, verify installation methods by the Control Drawing referenced on the product's name tag and national and local codes.



XFC6200EX; Gas Orifice

REF: 2101592

	TOTALFLOW	ACTION	DOC TYPE	TITLE	DWG NO.	REV	SHEET
	Products	D21571	UD	XFC ENCLOSURE MEASUREMENTS	2102951	AB	1 OF 7



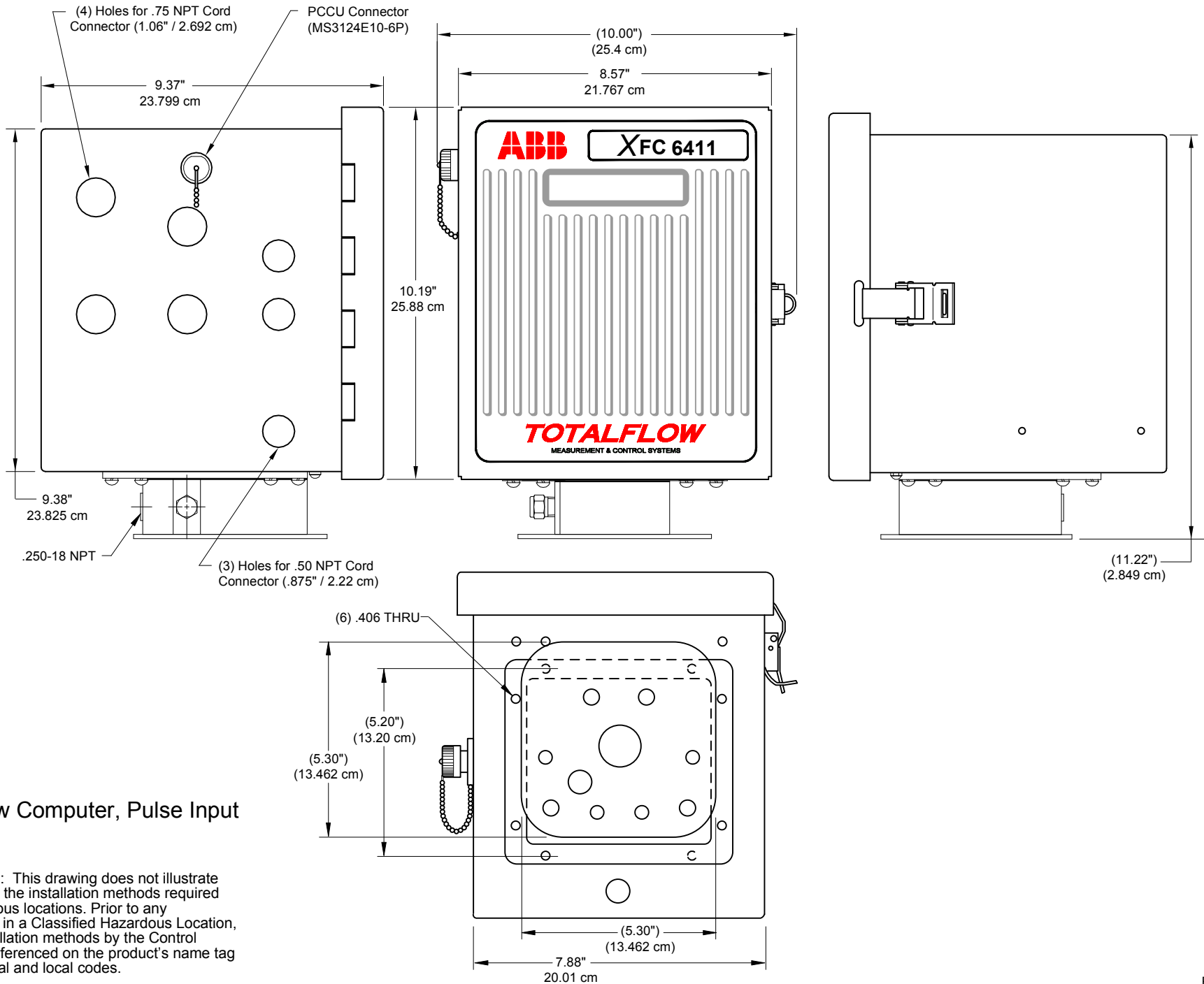
NOTE: Several AMU/IMV/XIMVs are available, with slightly different dimensions; these are composited outlines.

### 6410 Flow Computer, Gas Orifice

- NOTES:
1. WARNING: This drawing does not illustrate completely the installation methods required for hazardous locations. Prior to any installation in a Classified Hazardous Location, verify installation methods by the Control Drawing referenced on the product's name tag and national and local codes.

REF: 2015226

	TOTALFLOW	ACTION	DOC TYPE	TITLE	DWG NO.	REV	SHEET
	Products	D21571	UD	XFC ENCLOSURE MEASUREMENTS	2102951	AB	2 OF 7



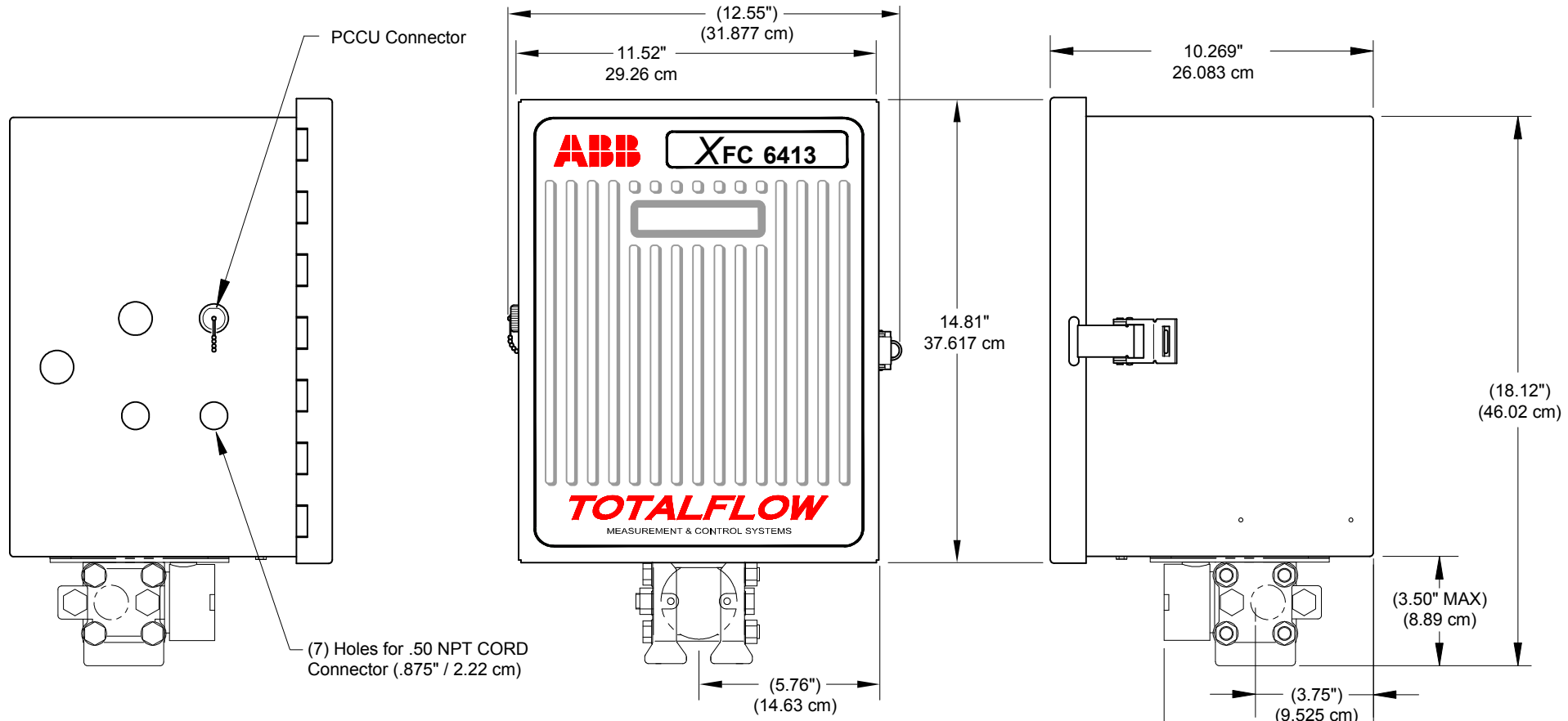
### 6411 Flow Computer, Pulse Input

**NOTES:**

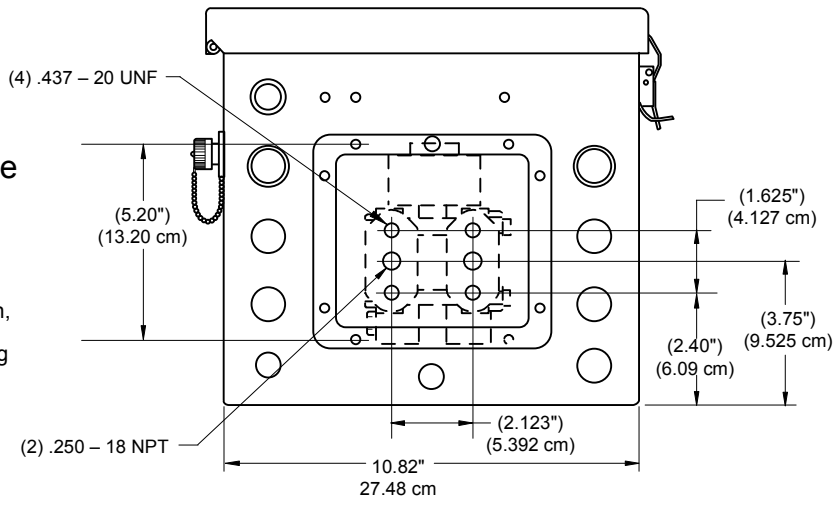
1. **WARNING:** This drawing does not illustrate completely the installation methods required for hazardous locations. Prior to any installation in a Classified Hazardous Location, verify installation methods by the Control Drawing referenced on the product's name tag and national and local codes.

REF: 2015412

	<b>TOTALFLOW</b> Products	ACTION	DOC TYPE	TITLE	DWG NO.	REV	SHEET
		D21571	UD	XFC ENCLOSURE MEASUREMENTS	2102951	AB	3 OF 7



(7) Holes for .50 NPT CORD Connector (.875" / 2.22 cm)



(4) .437 - 20 UNF

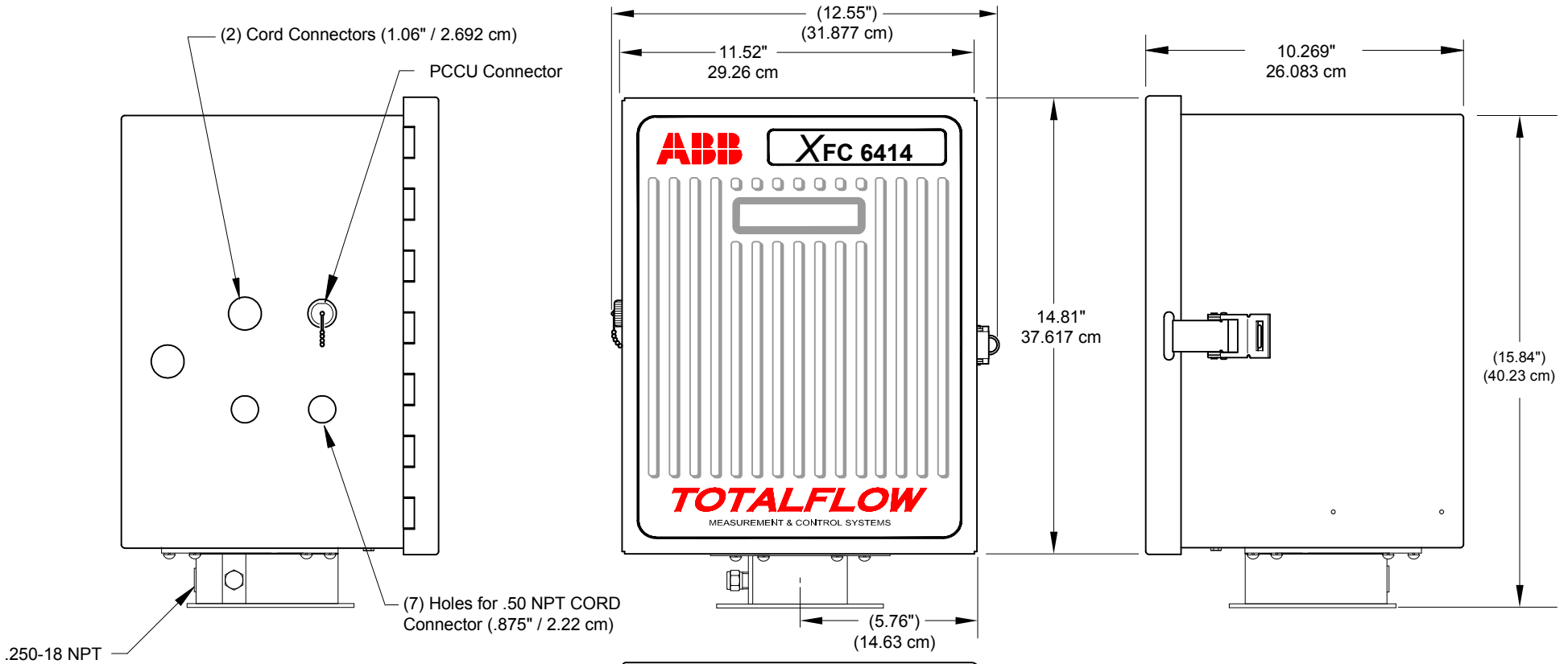
(2) .250 - 18 NPT

### 6413 Flow Computer, Gas Orifice

**NOTES:**  
 1. **WARNING:** This drawing does not illustrate completely the installation methods required for hazardous locations. Prior to any installation in a Classified Hazardous Location, verify installation methods by the Control Drawing referenced on the product's name tag and national and local codes.

REF: 2015264

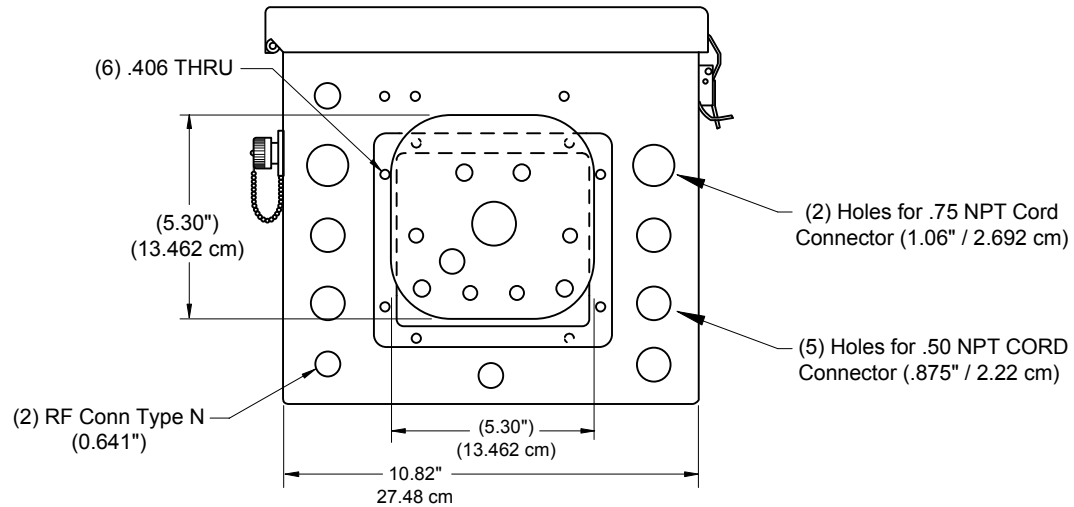
<b>ABB</b>	TOTALFLOW	ACTION	DOC TYPE	TITLE	DWG NO.	REV	SHEET
	Products	D21571	UD	XFC ENCLOSURE MEASUREMENTS	2102951	AB	4 OF 7



### 6414 Flow Computer, Pulse Input

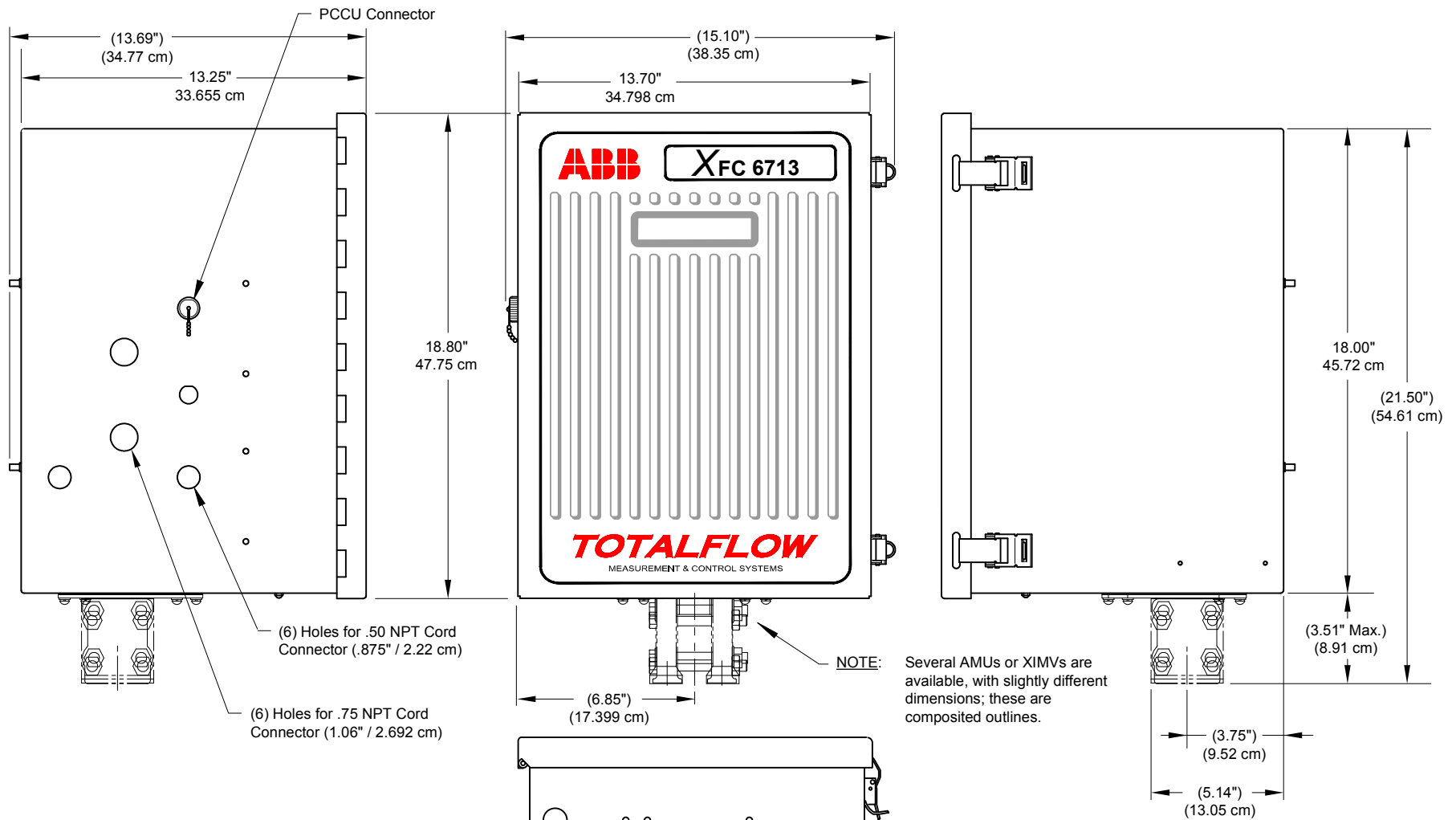
**NOTES:**

1. **WARNING:** This drawing does not illustrate completely the installation methods required for hazardous locations. Prior to any installation in a Classified Hazardous Location, verify installation methods by the Control Drawing referenced on the product's name tag and national and local codes.



REF: 2015413

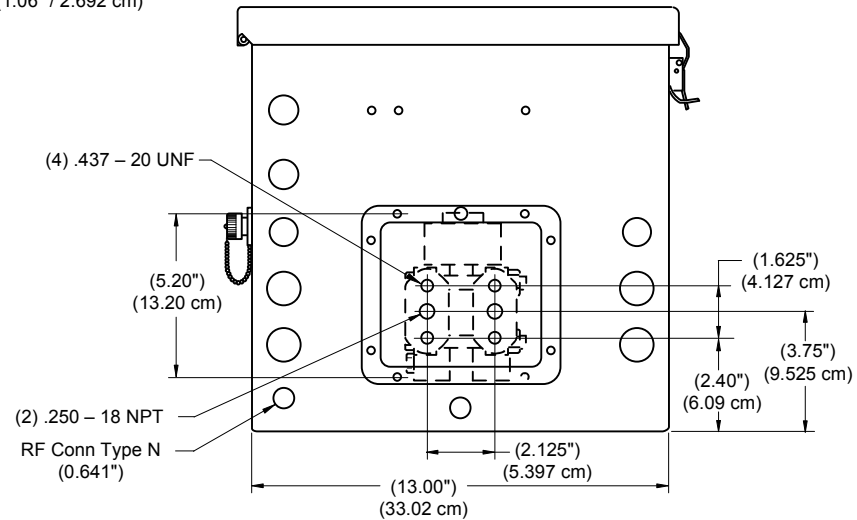
<b>ABB</b>	TOTALFLOW Products	ACTION	DOC TYPE	TITLE	DWG NO.	REV	SHEET
		D21571	UD	XFC ENCLOSURE MEASUREMENTS	2102951	AB	5 OF 7



### 6713 Flow Computer, Gas Orifice

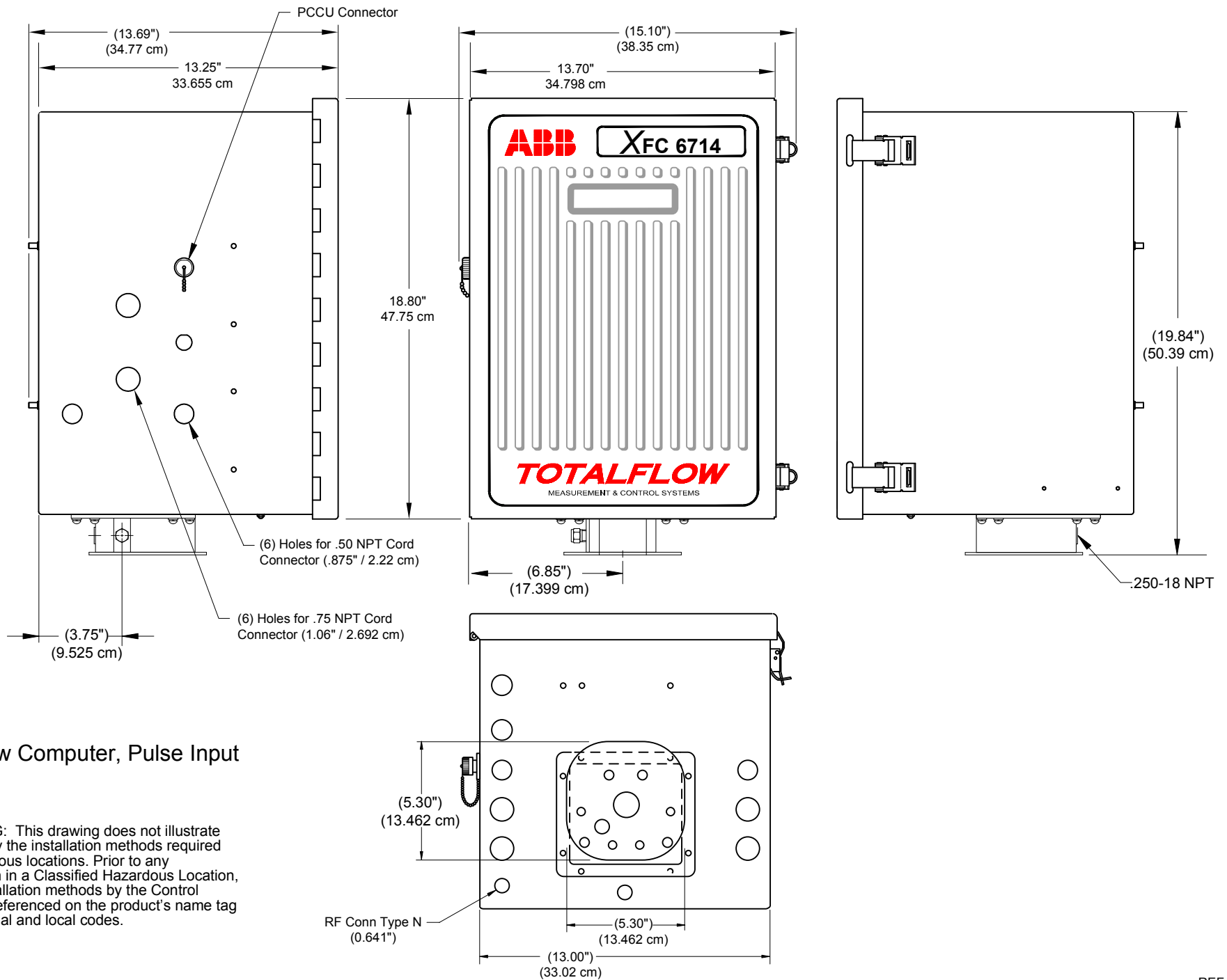
**NOTES:**

1. **WARNING:** This drawing does not illustrate completely the installation methods required for hazardous locations. Prior to any installation in a Classified Hazardous Location, verify installation methods by the Control Drawing referenced on the product's name tag and national and local codes.



REF: 2015338

<b>ABB</b>	TOTALFLOW Products	ACTION	DOC TYPE	TITLE	DWG NO.	REV	SHEET
		D21571	UD	XFC ENCLOSURE MEASUREMENTS	2102951	AB	6 OF 7



## 6714 Flow Computer, Pulse Input

### NOTES:

1. **WARNING:** This drawing does not illustrate completely the installation methods required for hazardous locations. Prior to any installation in a Classified Hazardous Location, verify installation methods by the Control Drawing referenced on the product's name tag and national and local codes.

REF: 2017251

	<b>TOTALFLOW</b> Products	ACTION	DOC TYPE	TITLE	DWG NO.	REV	SHEET
		D21571	UD	XFC ENCLOSURE MEASUREMENTS	2102951	AB	7 OF 7