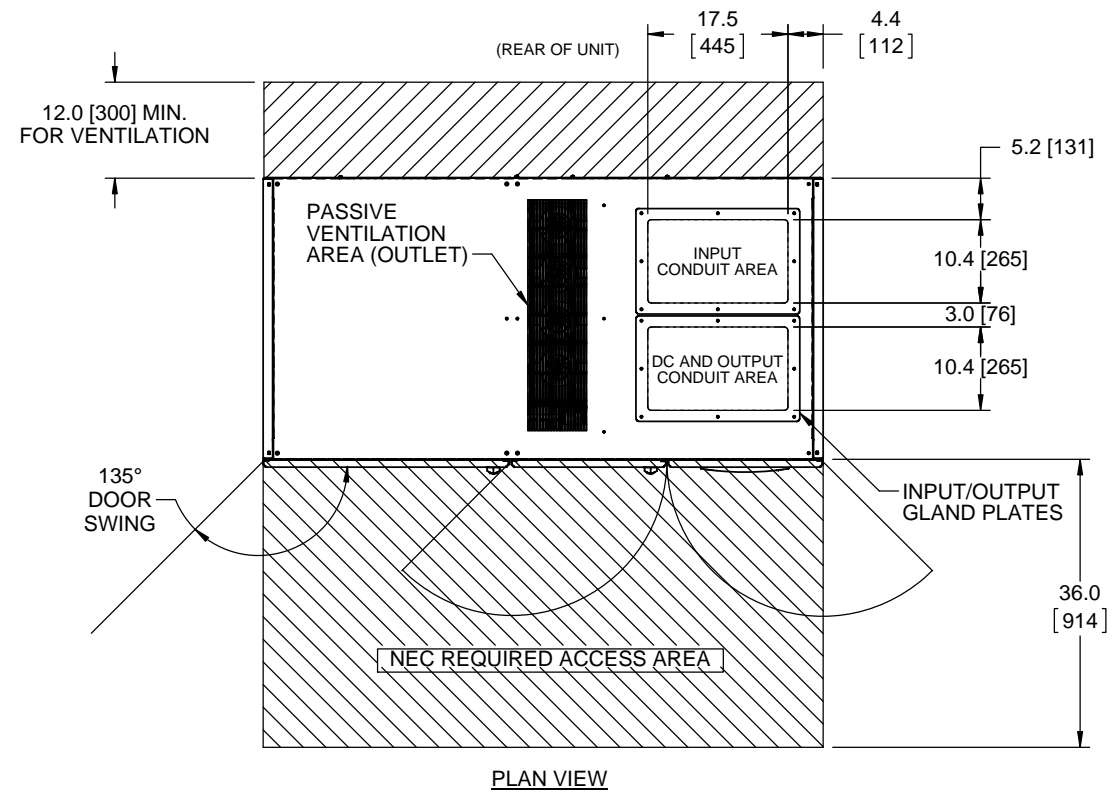
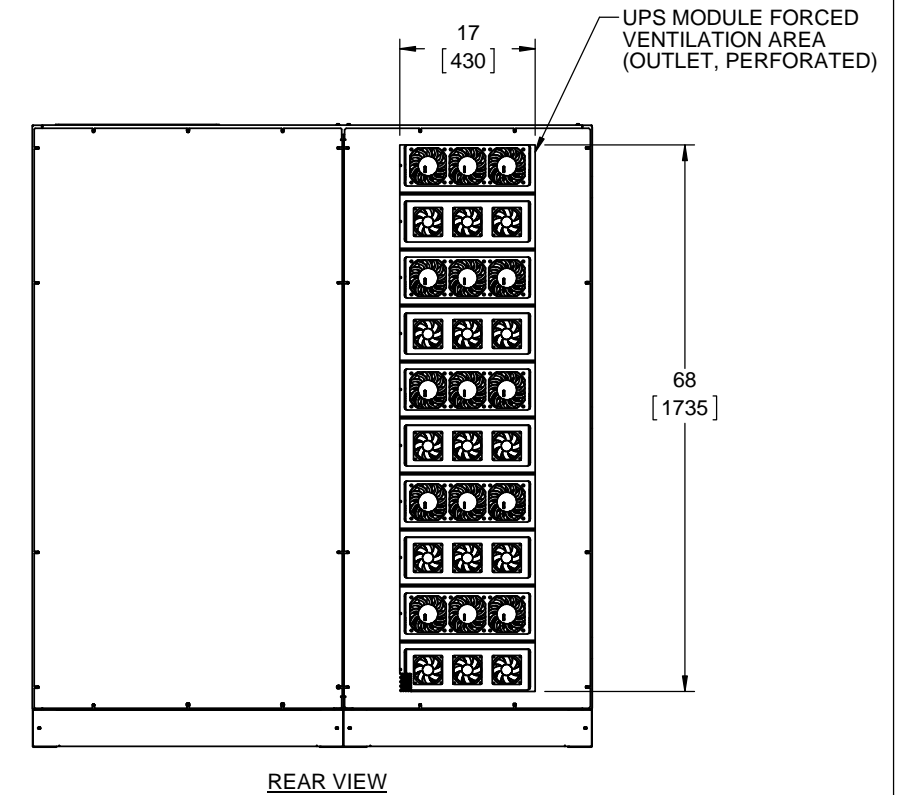
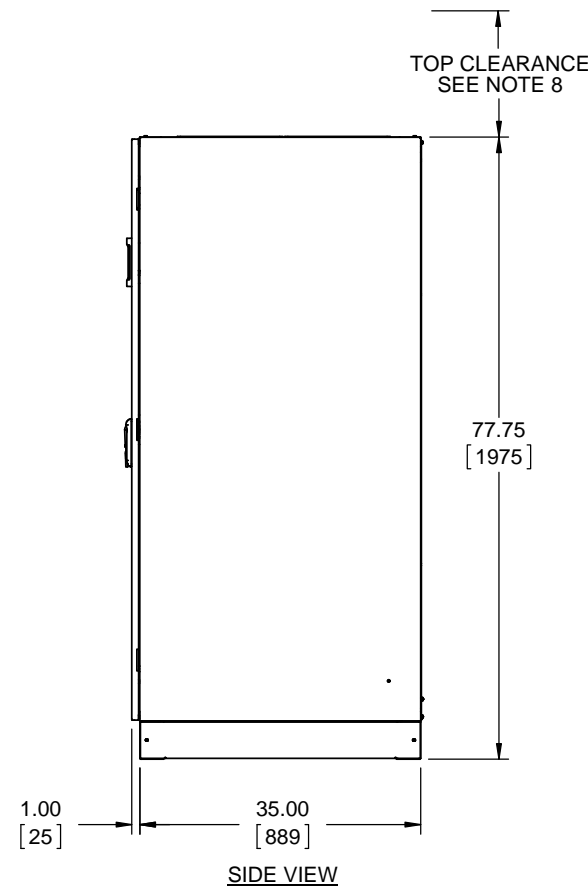
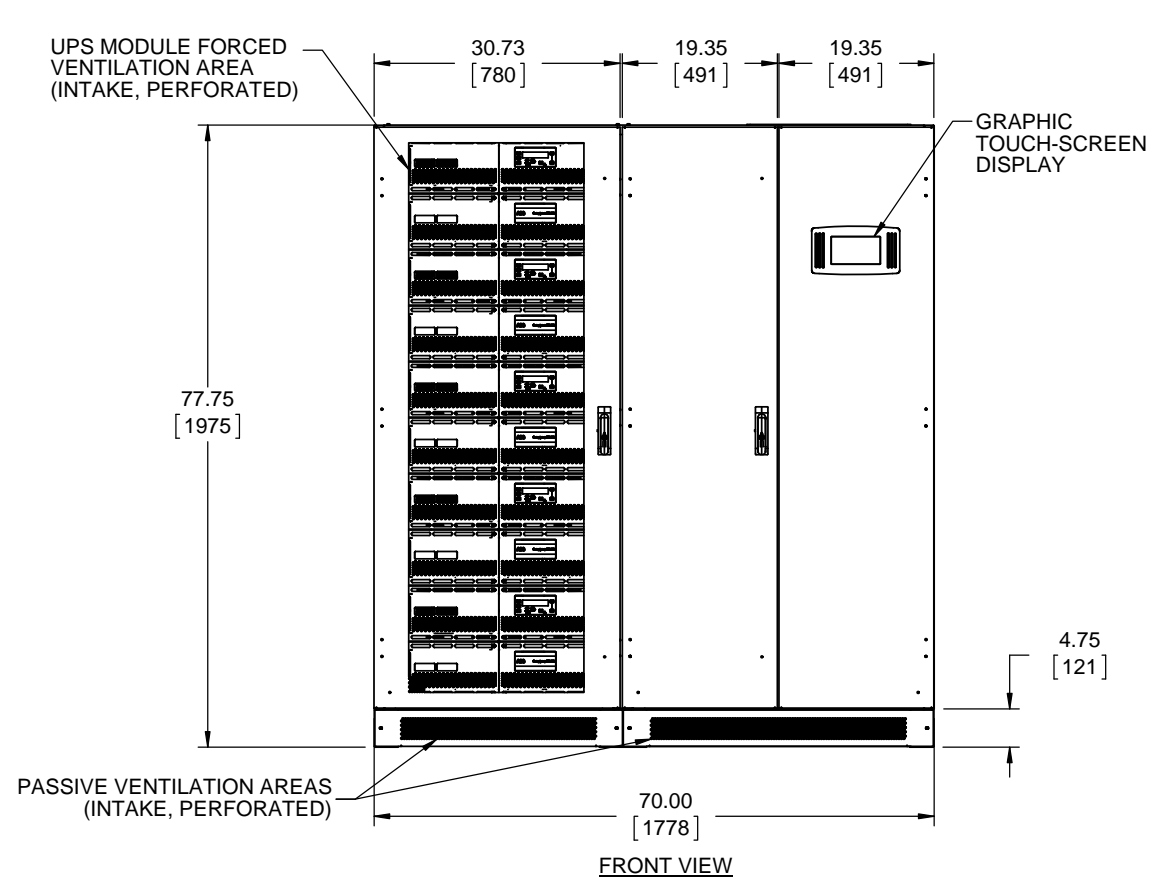


We reserve all rights in this document and in the information contained therein. Reproduction, use or disclosure to third parties without express authority is strictly forbidden. © Copyright 2014 ABB



**NOTES:**

1. INSTALLATION SHALL COMPLY WITH ALL APPLICABLE NATIONAL, STATE, AND LOCAL CODES.
2. REFER TO PRODUCT DOCUMENTATION FOR ADDITIONAL DETAILS PRIOR TO SITE PREPARATION OR INSTALLATION.
3. CABINET CONSTRUCTION: NEMA 1 (IP20) ENCLOSURE, 14 GA. STEEL FRAME, 16 GA. STEEL PANELS.
4. FINISH: OUTER PANELS, POWDERCOAT, MIDNIGHT BLACK WRINKLE. FRAME AND INTERIOR, GALVANIZED ZINC ELECTROPLATE.
5. TOTAL WEIGHT: 2,700 LB (1,225 kg).
6. CABLE ENTRY TOP OR BOTTOM, AS CONFIGURED PER CUSTOMER SPECIFICATION (TOP ENTRY SHOWN).
7. FRONT ACCESS REQUIRED FOR SERVICE AND MAINTENANCE. SIDE AND REAR ACCESS OPTIONAL.
8. MINIMUM 16" [400mm] TOP CLEARANCE REQUIRED FOR VENTILATION, IF THERE IS NO SIDE ACCESS.
9. DO NOT BLOCK VENTILATION AREAS.
10. BUSBAR TERMINALS FURNISHED WITH NEMA 2-HOLE LANDINGS, 1.75" SPACING, 1/2-13 UNC THREAD. SEE SHEET 2 FOR DETAILS.
11. DESIGNED FOR CABLE SIZES UP TO:  
 INPUT, OUTPUT: 2X 500 MCM  
 DC BATTERY: 3X 500 MCM
12. OPERATING TEMPERATURE: 0 TO 40°C.



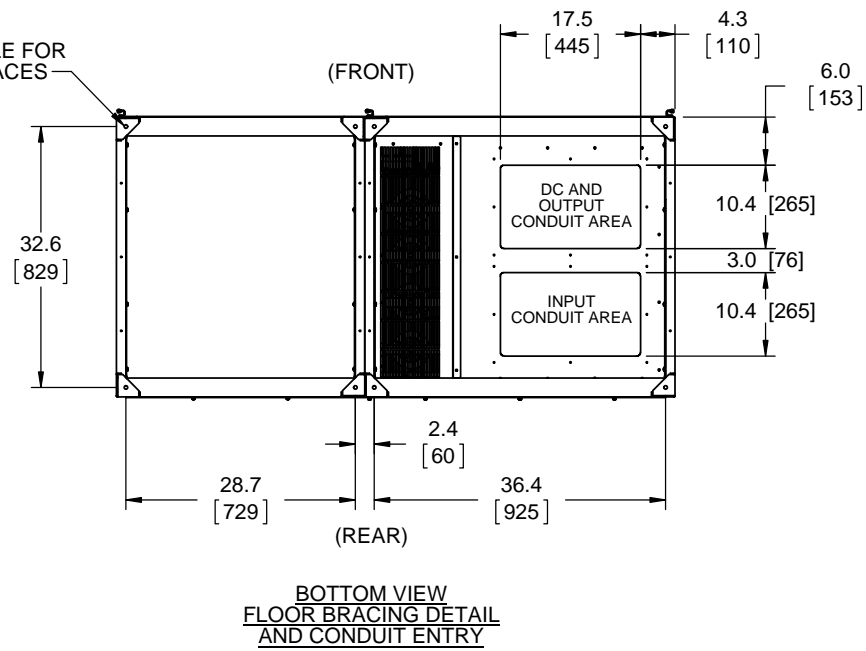
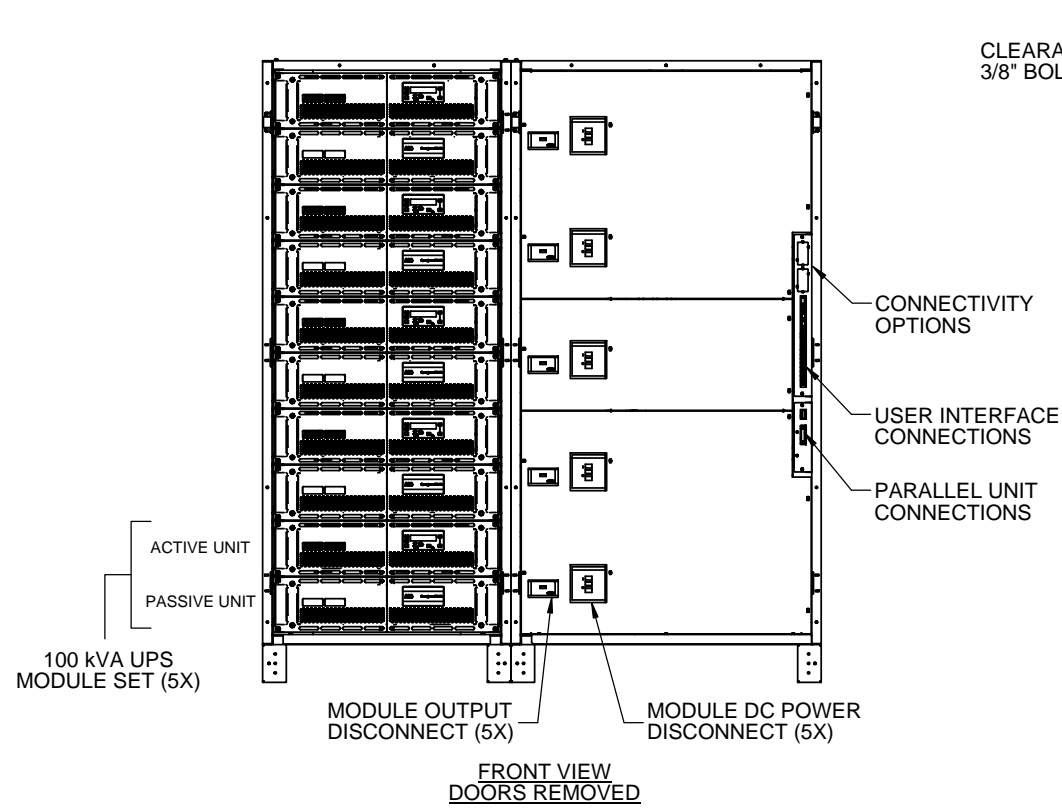
Rev.	ECN#	PMF Resp.	Description	Date
A01	--	PMF	Release	09/24/2015

Revision Table				
Units	Sheet Size	Scale		
Inch [mm]	B	1:24	⊕	
Item ID	Item Rev.	Date Drawn		
94-9200-00000003	A01	09/24/2015		
Document ID	Doc. Rev.	Page		
94-9200-00000003	A01	1 / 2		

Material <b>SEE NOTES</b>	Finish <b>POWDERCOAT - SEE NOTES</b>	Prepared <b>P. Francis</b>	Title <b>MECHANICAL OUTLINE Conceptpower DPA500 Decentralized Modular UPS 500kVA, 480VAC, UL Listed</b>
Tolerances <b>N/A</b>		Approved <b>C. Belcastro</b>	<b>ABB</b> Document Kind DetailDrawing
		Division/Dept. <b>DMPC/Power Protection</b>	

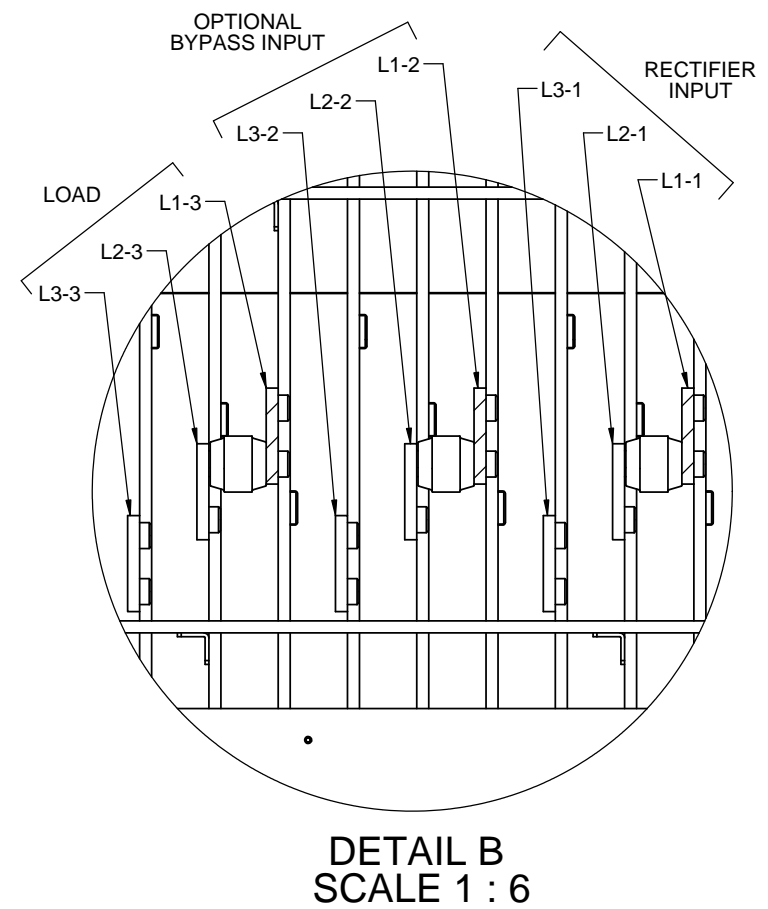
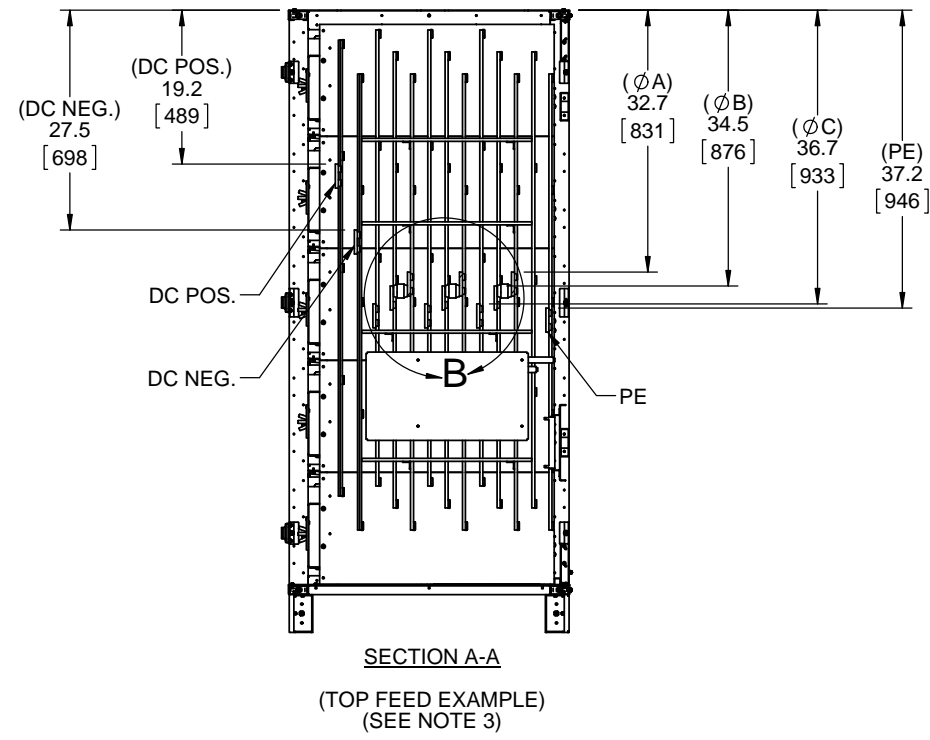
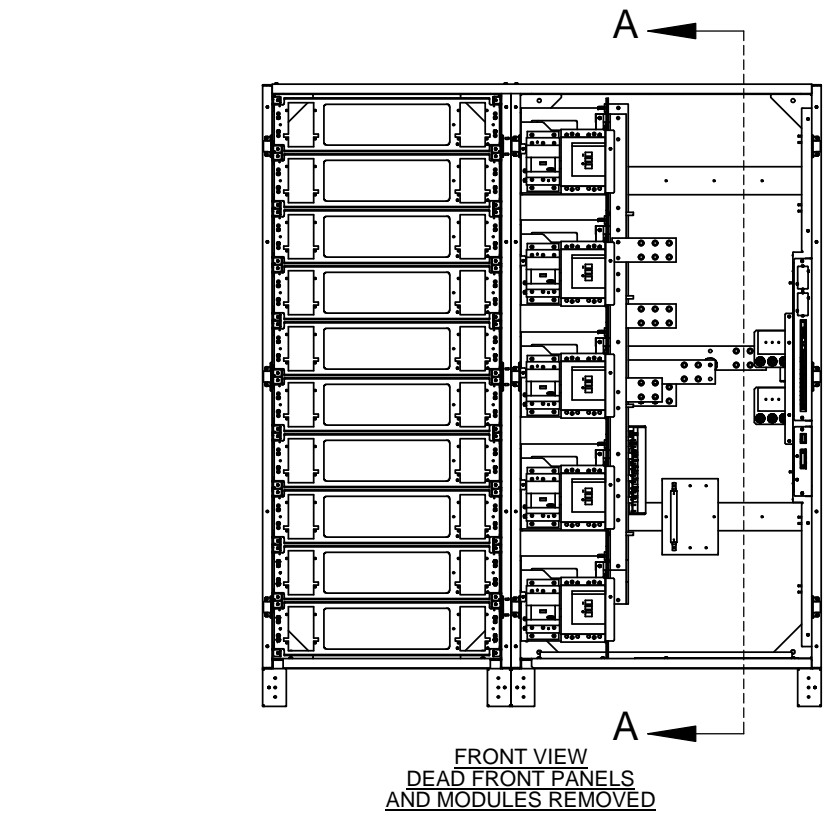
We reserve all rights in this document and in the information contained therein. Reproduction, use or disclosure to third parties without express authority is strictly forbidden. © Copyright 2014 ABB.



**NOTES:**

1. INSTALLATION SHALL COMPLY WITH ALL APPLICABLE NATIONAL, STATE, AND LOCAL CODES.
2. REFER TO PRODUCT DOCUMENTATION FOR ADDITIONAL DETAILS PRIOR TO SITE PREPARATION OR INSTALLATION.
3. BOTTOM FEED TERMINAL DISTANCES FROM BOTTOM PAN:

Ø A	31.7 [804]
Ø B	33.4 [848]
Ø C	35.1 [892]
PE	34.1 [867]
DC POS	19.9 [505]
DC NEG	27.1 [688]



Material See Notes, Sheet 1	Finish See Sheet 1	Prepared P. Francis	Title MECHANICAL OUTLINE Conceptpower DPA500 Decentralized Modular UPS 500kVA, 480VAC, UL Listed	Units Inch [mm]	Sheet Size B	Scale 1:24	
Tolerances N/A		Approved C. Belcastro		Item ID 94-9200-00000003	Item Rev. A00	Date Drawn 08/06/2015	
		Division/Dept. DMPC/Power Protection		Document Kind DetailDrawing	Document ID 94-9200-00000003	Doc. Rev. A01	