

# Types SCR and SCR-D Indoor current transformers

## Product features

- 600 volt, indoor, 10 kV BIL
- 25 - 400 Hertz
- Primary amperes: 50 - 5000
- Mechanical rating: 180 x rated current
- Thermal rating: 80 x rated current, one second
- Continuous current rating factor:
  - 2.0 @ 30°C ambient
  - 1.5 @ 55°C ambient

## Application

The SCR and SCR-D current transformers are used as the source of current for relaying and metering. The deeper case SCR-D is used when high burden relaying and metering is required.

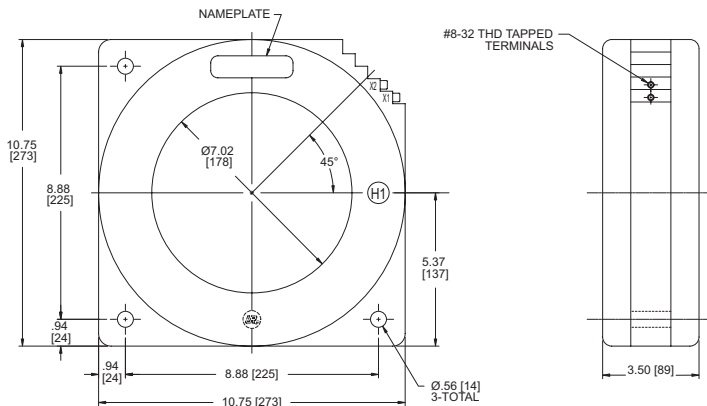
## Construction features

The ring-type core is insulated and toroidally wound with a fully distributed secondary winding. The protective case, made of an impact-resistant polycarbonate, is ultrasonically sealed.

## Secondary terminals

Secondary terminals are #8-32 brass terminal screws with hardware. Space is available for a maximum of five terminals to accommodate multi-ratio designs.

## Dimensions



Types SCR (approximate weight: 32 lbs)



## Curves

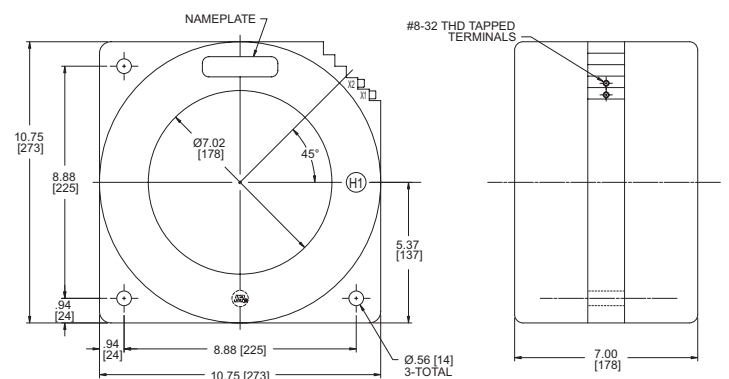
Saturation, overcurrent, ratio correction factor, and phase-angle curves are available upon request.

## Test reports

IEEE test reports are stored electronically and can be e-mailed in various formats at the time of shipment.

## Standards

This unit meets all applicable IEEE and NEMA standards and is a UL Recognized Component.



Types SCR-D (approximate weight: 62 lbs)

**Selection guide**

Primary ampere rating	IEEE metering accuracy					IEEE relaying accuracy	Style number
	B-0.1	B-0.2	B-0.5	B-0.9	B-1.8		
<b>Type SCR (7.02" window)</b>							
50	4.8	4.8	-	-	-	C5	9628A62G17
75	2.4	4.8	-	-	-	C10	9628A62G18
100	2.4	4.8	-	-	-	C10	9628A62G01
150	0.6	1.2	2.4	-	-	C20	9628A62G02
200	0.6	1.2	1.2	-	-	C20	9628A62G03
250	0.6	0.6	1.2	2.4	-	C20	9628A62G04
300	0.6	0.6	0.6	1.2	2.4	C20	9628A62G05
400	0.3	0.6	0.6	1.2	2.4	C50	9628A62G06
500	0.3	0.3	0.3	0.6	1.2	C50	9628A62G07
600	0.3	0.3	0.3	0.6	1.2	C100	9628A62G08
800	0.3	0.3	0.3	0.6	0.6	C100	9628A62G09
1000	0.3	0.3	0.3	0.3	0.3	C100	9628A62G10
1200	0.3	0.3	0.3	0.3	0.3	C200	9628A62G11
1500	0.3	0.3	0.3	0.3	0.3	C200	9628A62G12
2000	0.3	0.3	0.3	0.3	0.3	C200	9628A62G13
2500	0.3	0.3	0.3	0.3	0.3	C200	9628A62G14
3000	0.3	0.3	0.3	0.3	0.3	C200	9628A62G15
4000	0.3	0.3	0.3	0.3	0.3	C200	9628A62G16
<b>Multi-ratio, IEEE, 5 Terminal</b>							
600	0.3	0.3	0.3	0.6	1.2	C100	9628A64G01
1200	0.3	0.3	0.3	0.3	0.3	C200	9628A64G02
2000	0.3	0.3	0.3	0.3	0.3	C200	9628A64G03
3000	0.3	0.3	0.3	0.3	0.3	C200	9628A64G04
4000	0.3	0.3	0.3	0.3	0.3	C200	9628A64G05
5000	0.3	0.3	0.3	0.3	0.3	C200	9628A64G06

Additional styles available upon request. Contact your ABB sales representative or call +1-252-827-3212 for more information.

**Selection guide**

Primary ampere rating	IEEE metering accuracy					IEEE relaying accuracy	Style number
	B-0.1	B-0.2	B-0.5	B-0.9	B-1.8		
<b>Type SCR-D (7.02" window)</b>							
50	1.2	2.4	-	-	-	C10	9628A63G17
75	2.4	2.4	4.8	-	-	C20	9628A63G18
100	0.6	1.2	2.4	-	-	C20	9628A63G01
150	0.6	1.2	1.2	2.4	4.8	C50	9628A63G02
200	0.3	0.3	0.6	1.2	2.4	C50	9628A63G03
250	0.3	0.3	0.6	0.6	2.4	C50	9628A63G04
300	0.3	0.3	0.3	0.6	1.2	C100	9628A63G05
400	0.3	0.3	0.3	0.6	0.6	C100	9628A63G06
500	0.3	0.3	0.3	0.3	0.3	C100	9628A63G07
600	0.3	0.3	0.3	0.3	0.3	C200	9628A63G08
800	0.3	0.3	0.3	0.3	0.3	C200	9628A63G09
1000	0.3	0.3	0.3	0.3	0.3	C200	9628A63G10
1200	0.3	0.3	0.3	0.3	0.3	C400	9628A63G11
1500	0.3	0.3	0.3	0.3	0.3	C400	9628A63G12
2000	0.3	0.3	0.3	0.3	0.3	C400	9628A63G13
2500	0.3	0.3	0.3	0.3	0.3	C400	9628A63G14
3000	0.3	0.3	0.3	0.3	0.3	C400	9628A63G15
4000	0.3	0.3	0.3	0.3	0.3	C400	9628A63G16
<b>Multi-ratio, IEEE, 5 Terminal</b>							
600	0.3	0.3	0.3	0.3	0.6	C200	9628A65G01
1200	0.3	0.3	0.3	0.3	0.3	C400	9628A65G02
2000	0.3	0.3	0.3	0.3	0.3	C400	9628A65G03
3000	0.3	0.3	0.3	0.3	0.3	C400	9628A65G04
4000	0.3	0.3	0.3	0.3	0.3	C400	9628A65G05
5000	0.3	0.3	0.3	0.3	0.3	C400	9628A65G06

For more information please contact:

**ABB Inc.**  
**Medium Voltage Distribution Components**  
 3022 NC 43 North  
 Pinetops, NC 27864  
 USA  
 Phone: +1 252 827 3212  
 Fax: +1 252 827 4286

[www.abb.com/mediumvoltage](http://www.abb.com/mediumvoltage)

**Note:**

The information contained in this document is for general information purposes only. While ABB strives to keep the information up to date and correct, it makes no representations or warranties of any kind, express or implied, about the completeness, accuracy, reliability, suitability or availability with respect to the information, products, services, or related graphics contained in the document for any purpose. Any reliance placed on such information is therefore strictly at your own risk. ABB reserves the right to discontinue any product or service at any time.

Copyright 2004 ABB.  
 All rights reserved.



UL Recognized Component; File No. E96461