

ABB MEASUREMENT & ANALYTICS | DATA SHEET | DS/CM10-EN REV. U

# ControlMaster CM10

Universal process controller, 1/8 DIN



---

# Measurement made easy

Making process control easy

---

## Comprehensive display of process status

- Crystal-clear, full-color TFT display

---

## Exceptionally easy to use

- Intuitive user interface and clear text prompts make installation, commissioning and operation quick and simple

---

## PC Configuration

- Time saving off-line software tool including report generation

---

## Profile control

- Setpoint profiling function

---

## Flexible control functionality

- On / Off, time proportioning, analog PID and motorized valve control strategies

---

## Problem-solving capability

- Flexible functionality including math and logic providing power to solve application requirements

---

## Built to survive

- IP 66 and NEMA 4X environmental protection

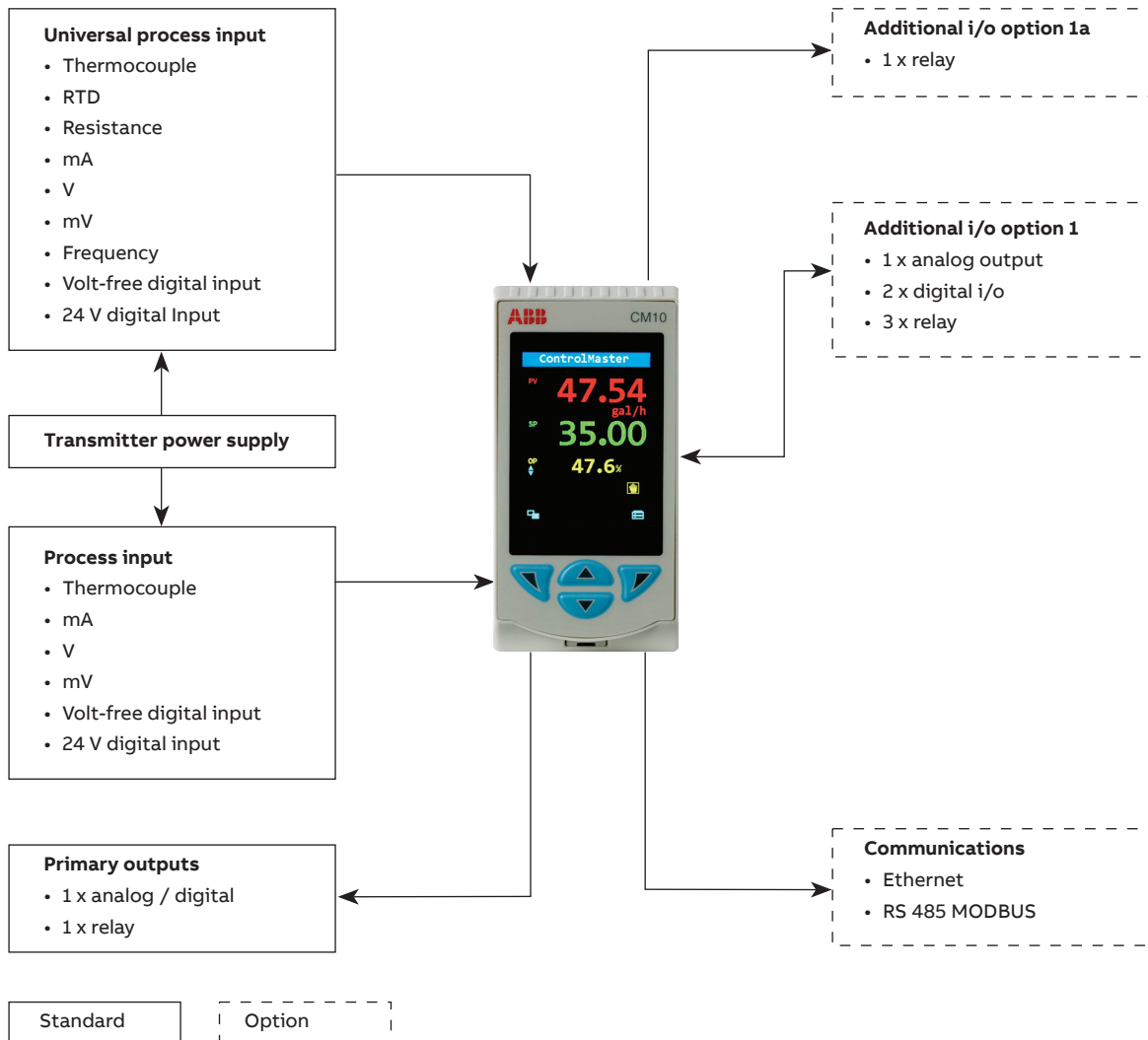
## Overview

The ControlMaster CM10 is a flexible, 1/8 DIN, universal PID process controller. Detailed process information is presented clearly on the CM10's full-color TFT display and an intuitive operator interface simplifies configuration and operation.

Scalable in both hardware and software functionality, a CM10 can be specified easily to meet the needs of your application requirements. Flexible control functionality including on / off, time proportioning, analog PID, split output control and math & logic make the CM10 suitable for a wide range of process applications.



Fully configurable via the easy-to-navigate front panel menus or PC configuration software, the CM10 can be commissioned rapidly and then tuned via the advanced autotune functionality.

MODBUS and Ethernet communication options ensure easy integration into a control system.



## Scalable functionality

The CM10 is scalable in terms of both hardware and software, enabling it to meet your application requirements. The basic CM10 meets the needs of a simple control loop. Additional templates and functionality can be enabled by adding a function key to the basic model as shown in Fig. 1, while retaining previous templates and functionality. For I/O builds, see “Ordering information” on page 16.

Level	Function keys	Template	Functionality
Base	0 	Single loop Single loop with remote setpoint	Process alarms Basic setpoint switching Basic control <ul style="list-style-type: none"> <li>Analog PID</li> <li>On / Off or time proportioning</li> <li>Auto tune</li> <li>Split output control</li> </ul>
Standard	1 	Auto / Manual station low signal selection Auto / Manual station digital signal selection * Analog backup station low signal selection Analog backup station digital signal selection * Single indicator / manual loader Dual indicator / manual loader	Standard setpoint switching Standard control <ul style="list-style-type: none"> <li>Gain scheduling</li> <li>Motorized valve control †</li> </ul> Output tracking Logic Math Custom linearizers Delay timers Real time alarms Standard profile Bank control Template customization

Recommended I/O build:

\* Basic + option board 1

† Basic + option board 1a

Figure 1 Overview of template options

## Powerful operator display

The CM10 features a full-color 5.5 cm (2.2 in.) display for displaying detailed process information to the user. Process details such as alarm messages and diagnostic information are displayed clearly in full text without the need for difficult-to-read scrolling displays.

### Example of an operator page

Automatic selection of standard display templates immediately makes best use of the CM10's display. Extensive customization features then enable the displayed information to be tailored to suit the process requirements.



Figure 2 Single loop display

### Diagnostics and alarm status display

The diagnostics and alarm status display provides detailed information on any active alarm or diagnostic condition. The operator can see, at-a-glance, the status of any alarm condition present within the process. Additionally, diagnostic messages are presented clearly to the operator, enabling rapid notification and simple diagnosis of any critical instrument status condition.

Historical information of diagnostic messages can also be viewed in the controller's diagnostic log.

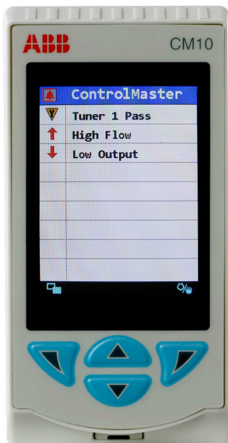


Figure 3 Alarm status display

## Exceptionally easy to use

The CM10's full-text display and simple-to-navigate, pop-up menu makes operation exceptionally easy. A programmable soft key enables commonly used functions, such as auto / manual selection, alarm acknowledgement and display selection, to be accessed easily by the operator.



Figure 4 Pop-up menu

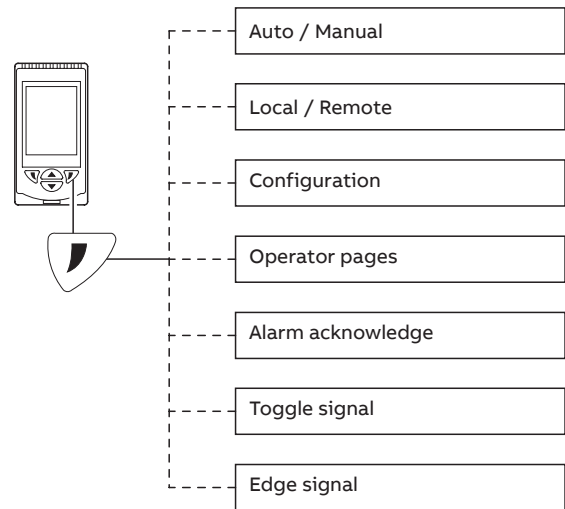


Figure 5 Programmable soft key

## Flexible control functionality

The CM10 features flexible control functionality making it suitable for a wide range of applications. Features include:

### Autotune

Once initial configuration is complete, a powerful autotune facility enables automatic calculation of the PID values required, enabling rapid commissioning of the CM10.

### Gain scheduling

The CM10's gain scheduling functionality is used for efficient control of non-linear processes. Up to 3 different sets of PID parameters are selected automatically from a reference signal ensuring optimum control response, regardless of the process status.

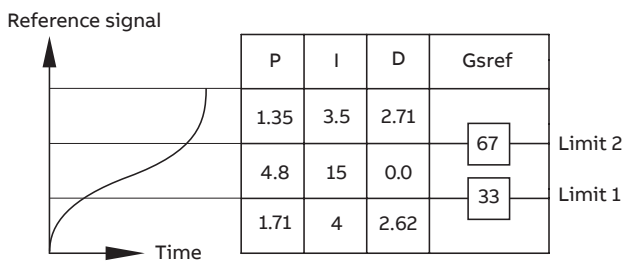


Figure 6 Gain scheduling example

### Split output control

The CM10 can also be configured to perform split output control, for example, when both heating and cooling of a single process is required.

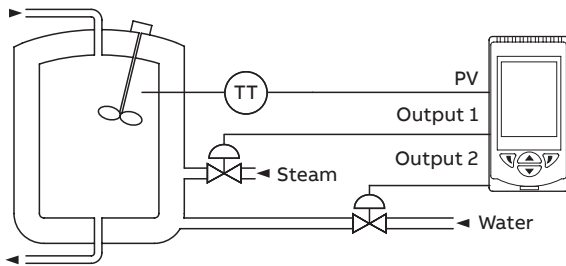


Figure 7 Split output control example

### Remote auto / manual switching

In addition to switching via the front panel, the CM10 can be switched between automatic and manual control mode using an external signal. When switched to manual mode via a digital signal, the value of the control output can be preset, for example, to open a control valve automatically during a cleaning cycle.

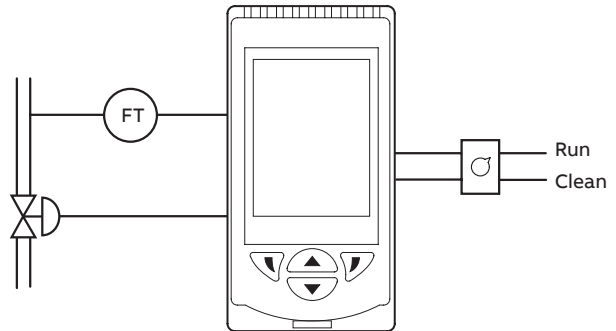


Figure 8 Remote auto / manual switching

### External setpoint selection

The CM10's control setpoint can be selected via external digital signals, for example, simplifying operation by selecting different setpoints using external push buttons.

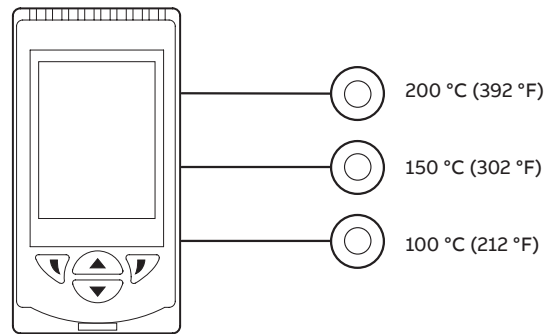


Figure 9 External setpoint selection

## Problem solving flexibility

Extensive functionality is available to provide flexible problem-solving capability; making the CM10 much more than just a process controller.

### Process alarms

8 independent process alarms can monitor any analog signal within the CM10, enabling extensive process monitoring capability. Alarms can be used to drive physical outputs or soft-wired to other functions within the controller.

### Real-time alarms

The 'alarm clock' functionality provided by the CM10's real-time alarms enables time-of-day decisions to be introduced into the controller's actions or specific functions to be triggered routinely at specified times.

### Delay timers

Event sequencing is enabled through the use of the CM10's delay timers. A predetermined delay and output duration can be programmed into each delay timer and timers can be linked together.

### Custom linearizers

The CM10 has 2 independent 20-point custom linearizers that can be applied to any analog signal within the controller. These linearizers can be used in applications such as level-to-volume conversion of a non-linear tank level or to accommodate special input signals or output devices.

### Math

8 math blocks provide arithmetic, averaging, min. / max. hold, square root and signal switching functionality. Simple equations can be performed in a single math block or multiple math blocks can be nested together to construct complex equations.

Signal switching 'multiplexer' math blocks switch between 2 analog signals based on a trigger signal. For example, a backup sensor could be selected automatically on failure of a primary sensor.

### Logic

8 comprehensive logic equations provide powerful interlock functionality. Inputs and outputs of the logic equations can be soft-wired to any digital signal within the controller to maximize flexibility.

### Bank control

Bank control enables improved control of multi-element output devices such as banks of heaters, pumps and fans. Aimed at minimizing wear caused by over-use of one specific 'duty' device, bank control enables wear to be levelled by sharing duty and assist handling between every device in the bank.

Bank control gives users the choice of either 'Rotate' or 'First In, First Out (FIFO)' wear-leveling schedules. If required, bank control can be combined with PID control, assigning the PID output signal to the bank control function.

Bank control can also be utilized when split output control is configured. For example, when two variable speed pumps are being controlled in a duty assist configuration. Each time both pumps are stopped the duty and assist outputs are alternated.

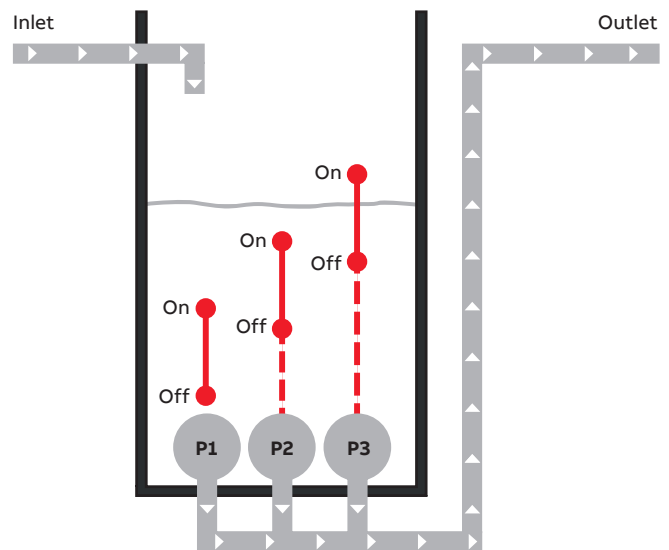


Figure 10 Independent on and off trip points



## Communications

Extensive communication options enable the CM10 to be integrated into larger control systems easily or connected to other process instrumentation.

### RS 485 MODBUS

Using RS 485 MODBUS, values and status can be communicated to and from the controller in real-time via an RS 485 connection.

### Ethernet

Optional Ethernet communications enable ControlMaster to be integrated in to an Ethernet network quickly. The following functionality is provided:

- Email
  - Notification of a critical process event or status can be made by email. Multiple events can trigger an email that can be sent to multiple recipients
- Webserver
  - ControlMaster’s integrated webserver enables the current status of the process and controller to be viewed remotely using a standard web browser

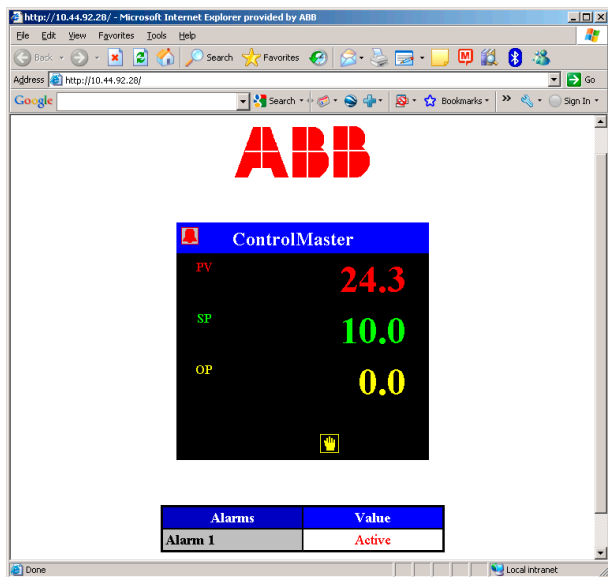


Figure 11 Webserver

- MODBUS TCP
  - Process values and status can be communicated to and from the CM10 in real-time using MODBUS TCP, enabling it to be integrated easily into larger control systems or connected to a data recorder.

## PC configuration

The CM10 can be fully configured using ABB’s ConfigPilot software. Available free of charge, ConfigPilot enables off-line creation and editing of configuration files. Configurations are transferred to and from a controller via its standard IrDA port and a USB IrDA adapter.

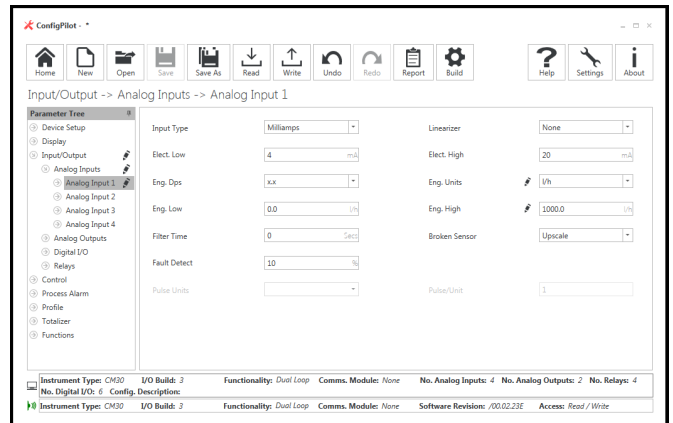


Figure 12 Analog input configuration

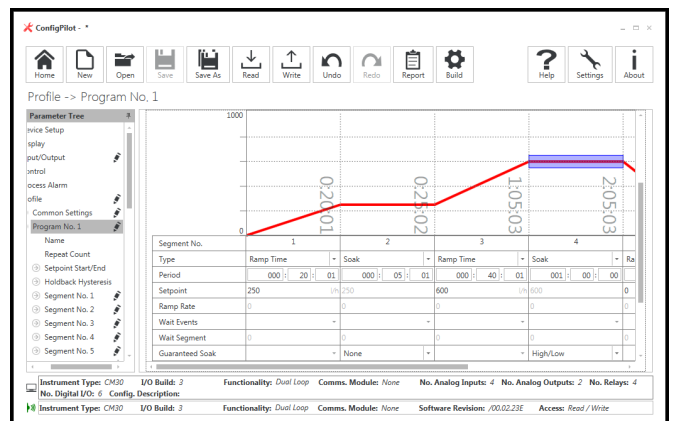


Figure 13 Profile configuration

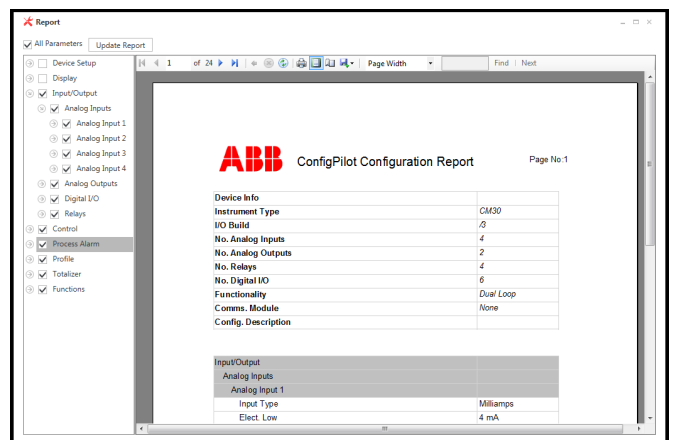


Figure 14 Configuration report generation



## Setpoint profile

Setpoint profile capability makes the CM10 ideally suited to thermal processing applications where a specific temperature profile must be followed. A profile can be created quickly by programming up to 10 segments (for example, ramp, hold, wait or step). Process operators can then activate and monitor the program easily via dedicated profile operator displays and menus.

A CM10 can have a single profile of up to 10 segments.

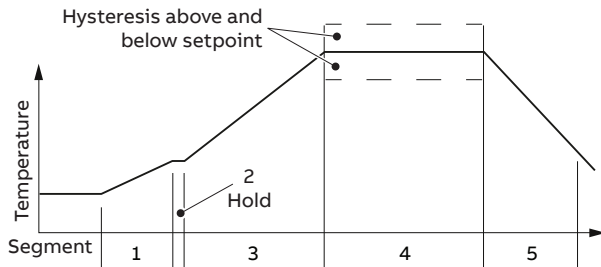


Figure 15 Profile control

### Fast run mode

When activated fast run mode runs a profile at 8 times normal speed allowing complex or long duration programs to be tested prior to use.

### Guaranteed ramp / soak

For processes where strict tolerances must be adhered to during a profile cycle, guaranteed ramp/soak can be applied to appropriate segments. A configurable hysteresis can be applied to a segment; if the process variable exceeds these limits the program is placed on hold until the process recovers. Once back within limits the profile can be configured to continue, or repeat, the current segment. Hysteresis limits can be above, below or above and below the setpoint value.

### Sequencing and interlocks

When interlocks are required, wait segments can be placed in a program. On arriving at a wait segment the profile waits until a required condition is met (for example, digital input received) before continuing with the program.

### Dedicated profile displays

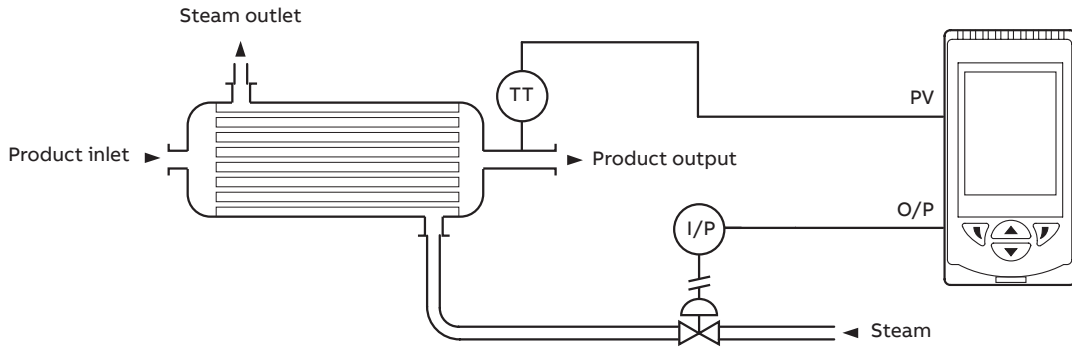
To make day-to-day operation as easy as possible, profile control has dedicated display templates. A concise display detailing the program name, status and time remaining is shown to the operator. A more detailed program and segment status information is available on sub-pages.

## Application templates

To minimize commissioning time, the CM10 features up to 8 preconfigured control strategy templates. By selecting the required control strategy, the template configures the CM10's function blocks and display automatically. Customization of the preconfigured templates is also possible, providing the flexibility to create customized solutions.

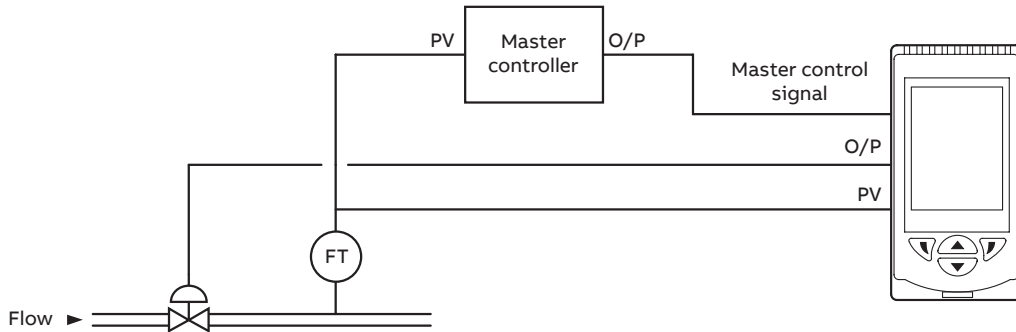
### Single loop

This template provides standard, single loop process control and is available with or without a remote setpoint. In this example, the temperature of a product heated by a heat exchanger is regulated via the control of the steam feed to the heat exchanger.



### Auto / Manual station and analog backup station

These templates configure the CM10 to backup a master controller, typically a PLC or DCS. A fault condition is detected via a low output signal from the master controller or a digital signal. On detection of a fault signal, the CM10 can take control of the process (analog backup template), freeze its output or switch to a safe output (auto / manual station template). In this example, a critical control of flow is backed-up by the CM10.



## Technical specification

### Operation

#### Display

Color, ¼ VGA TFT, liquid crystal display (LCD) with built-in backlight

#### Language

English, German, French, Italian and Spanish

#### Operator keypad

4 tactile membrane keys

### Security

#### Password protection

Basic / Advanced – user-assigned password protection (not set at factory)

### Standard functions

#### Base templates

Single loop with local setpoint  
Single loop with remote setpoint

#### Standard templates

Auto / Manual station (low signal detection)  
Auto / Manual station (digital signal selection)  
Analog backup station (low signal detection)  
Analog backup station (digital signal detection)  
Single indicator / manual loader station  
Dual indicator / manual loader station

### Control output types

Current proportioning  
Time proportioning  
On / Off  
Motorized valve with feedback  
Motorized valve without feedback  
Split output – with combinations of relay, digital output and current outputs

### Control parameters

#### Proportional band \*

0.0 to 999.9 %

#### Integral \*

0 to 10000 s

#### Derivative \*

0.0 to 999.9 s

#### Manual reset

0.0 to 100.0 %

### Setpoints

#### Local

2, selectable via digital input or front panel

#### Remote

selectable via digital input or front panel keys

### Auto tune

On-demand calculation of control settings

### Process alarms

#### Number

8

#### Types

High / Low process  
High / Low latch

#### Source

Fully configurable (for example – PV, Analog input, Math block inbuilt, OP control loop deviation)

#### Hysteresis

Level and time

#### Alarm enable

Enable / Disable individual alarms via a digital signal

#### Acknowledgement

Via front panel keys or digital signals

### Real-time alarms\*\*

#### Number

2

#### Programmable

Time  
Day  
Duration

### Math blocks\*\*

#### Number

8

#### Operators

+, -, x, /  
Average, Maximum, Minimum  
High / Low / Median select  
Square root  
Multiplexer

\* 3 sets of PID parameters when used with Gain Scheduling facility

\*\*Functionality level 'Standard' only

## ...Technical specification

### Delay timers\*

Number  
2

Programmable  
Delay  
Duration

### Logic equations\*

Number  
8

Elements  
15 per equation

Operators  
OR, AND, NOR, NAND, NOT, EXOR

### Custom linearizer\*

Number  
2

Elements  
20 breakpoints

### Bank control\*

Number of outputs  
6

Wear levelling  
Rotate or FIFO

### Analog inputs

#### Universal process inputs

Number  
1 standard

Type  
Voltage  
Current  
Resistance (ohms)  
3-Wire RTD  
Thermocouple  
Digital volt-free  
Digital 24 V  
Frequency  
Pulse

#### Non-universal process inputs

Number  
1 standard

Type  
Voltage  
Current  
Thermocouple \*\*  
Digital volt-free  
Digital 24 V

### Thermocouple types

B, E, J, K, L, N, R, S, T

### Resistance thermometer

Pt100

### Other linearizations

$\sqrt{x}$ ,  $x^{3/2}$ ,  $x^{5/2}$

### Digital filter

Programmable 0 to 60 s

### Display range

-9999 to 99999

### Update rate

125 ms

### Common mode noise rejection

> 120 dB at 50 / 60 Hz with 300 Ω imbalance resistance

### Normal (series) mode noise rejection

> 60 dB at 50 / 60 Hz

### CJC rejection ratio

Stability  
0.05 °C/°C change in ambient temperature

### Temperature stability

0.02 %/°C or 2 μV/°C (1 μV/°F)

### Long term (input) drift

< 0.1 % of reading or 10 μV annually

### Input impedance

> 10 MΩ (mV input)  
10 Ω (mA input)

\*Functionality level 'Standard' only

\*\* Only if universal process input is configured as 'Thermocouple'

## Inputs

Thermocouple	Maximum range °C (°F)	Accuracy (% of reading)
B	-18 to 1800 (0 to 3270)	0.1 % or ±2 °C (3.6 °F) (above 200 °C [392 °F]) *
E	-100 to 900 (-140 to 1650)	0.1 % or ±0.5 °C (0.9 °F)
J	-100 to 900 (-140 to 1650)	0.1 % or ±0.5 °C (0.9 °F)
K	-100 to 1300 (-140 to 2350)	0.1 % or ±0.5 °C (0.9 °F)
L	-100 to 900 (-140 to 1650)	0.1 % or ±1.5 °C (2.7 °F)
N	-200 to 1300 (-325 to 2350)	0.1 % or ±0.5 °C (0.9 °F)
R	-18 to 1700 (0 to 3000)	0.1 % or ±1 °C (1.8 °F) (above 300 °C [540 °F]) *
S	-18 to 1700 (0 to 3000)	0.1 % or ±1 °C (1.8 °F) (above 200 °C [392 °F]) *
T	-250 to 300 (-400 to 550)	0.1 % or ±0.5 °C (0.9 °F) (above -150 °C [-238 °F]) *

\* Accuracy is not guaranteed at temperatures below this value

RTD	Maximum range °C (°F)	Accuracy (% of reading)
Pt100	-200 to 600 (-325 to 1100)	0.1 % or ±0.5 °C (0.9 °F)

Linear inputs	Standard analog input	Accuracy (% of reading)
Millivolts	0 to 150 mV	0.1 % or ±20 µV
Milliamperes	0 to 45 mA	0.2 % or ±4 µA
Volts	0 to 25 V	0.2 % or ±20 mV
Resistance (low)	0 to 550 Ω	0.2 % or ±0.1 Ω
Resistance (high)	0 to 10 kΩ	0.5 % or ±10 Ω
Sample Interval	125 ms per sample	

### Digital inputs

Type	Volt-free or 24 V
Minimum pulse duration	Single input configured – 250 ms Both inputs configured as analog or digital – 500 ms

### Frequency input\*

Frequency range	0 to 6000 Hz
1-signal	15 to 30 V
0-signal	-3 to 5 V

\*For use with devices with open collector outputs

## Outputs

### Controls / Retransmission outputs

#### Number

2 (1 standard, 1 optional)

#### Type

Configurable as analog or digital pulse

#### Isolation

Galvanically isolated from the rest of the circuitry,  
500 V for 1 minute

#### Analog range

0 to 20 mA programmable

#### Load

750 Ω max.

#### Accuracy

0.25 % of output or ±10 µA

## Relays

### Number

4 (1 standard, 3 optional)

### Type

Standard with changeover contacts

Optional contacts selectable as NO or NC (by jumper)

### Relay 1 contact rating

5 A, 240 V

### Relay 2, 3 and 4 contact ratings at maximum ambient temperature of 40 °C (104 °F)

5 A, 240 V

### Relay 2, 3 and 4 contact ratings at maximum ambient temperature of 55 °C (131 °F)

2 A, 240 V

### Update rate

125 ms

## Digital I/O

### Number

2 (optional)

### Type

User-programmable as input or output

Minimum input pulse duration – 125 ms

### Input

Volt-free or 24 V DC

1-signal 15 to 30 V

0-signal -3 to 5 V

Conforms to IEC 61131-2

### Output

Open collector output

30 V, 100 mA max. switched

Conforms to IEC 61131-2

### Update rate

125 ms

## ...Technical specification

### 2-Wire transmitter power supply

- Number
  - 1 standard
- Voltage
  - 24 V DC
- Drive
  - 2 loops, 45 mA max.

### Communications

**Note.** Only one communications option can be fitted per controller.

#### IrDA configuration port (standard)

- Baud rate
  - Up to 115 kBaud

- Distance
  - Up to 1 m (3 ft)

#### Functions

- Firmware upgrade
- Configuration upload / download

#### Ethernet (optional)

- Type
  - 10BaseT

- Connector
  - RJ 45

#### Protocols

- TCP/IP
- HTTP
- MODBUS TCP (Slave)

#### Web server

Built-in – enables remote monitoring using standard web browsers

#### Email

- Can be configured to be sent on the occurrence of a specified event
- Up to 3 recipients
- Up to 4 trigger sources with configurable tag

#### MODBUS \* RTU (optional)

- Baud rate
  - Up to 115 kBaud

#### Isolation

Galvanically isolated from the rest of the circuitry, 500 V DC for 1 minute

### EMC

#### Emissions & immunity

Meets requirements of IEC 61326 for an industrial environment

### Environmental

- Operating temperature range
  - 0 to 55 °C (32 to 131 °F) \*\*
- Operating humidity range
  - 5 to 95 % RH (non-condensing)
- Storage temperature range
  - 20 to 70 °C (-4 to 158 °F)
- Enclosure sealing
  - Front face
    - IP 66 & NEMA 4X
  - Rest of enclosure
    - IP 20
- Vibration
  - Conforms to EN60068-2-6
- Altitude
  - 2000 m (6562 ft) max. above sea level

### Safety

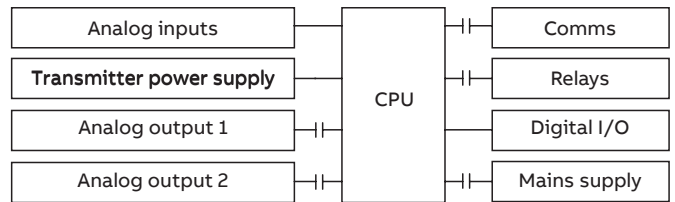
#### Approvals and certifications

- EN 61010-1
- cULus

#### General safety

- Pollution category 2
- Insulation category 2

#### Isolation



#### Key

—||— = Isolation

### Electrical

#### Supply ranges

- 100 to 240 V AC ±10 % (90 V min. to 264 V max.)  
50 / 60 Hz
- 10 to 36 V DC (optional)

#### Power consumption

10 W max.

#### Power interruption protection

No effect for interrupts of up to 60 ms

### Physical

#### Size

50 x 97 x 141 mm (2.0 x 3.8 x 5.5 in.)

#### Weight

0.38 kg (0.84 lb) approx. (unpacked)

#### Panel cutout

45 x 92 (1.8 x 3.6 in.), 121 mm (4.8 in.) behind panel

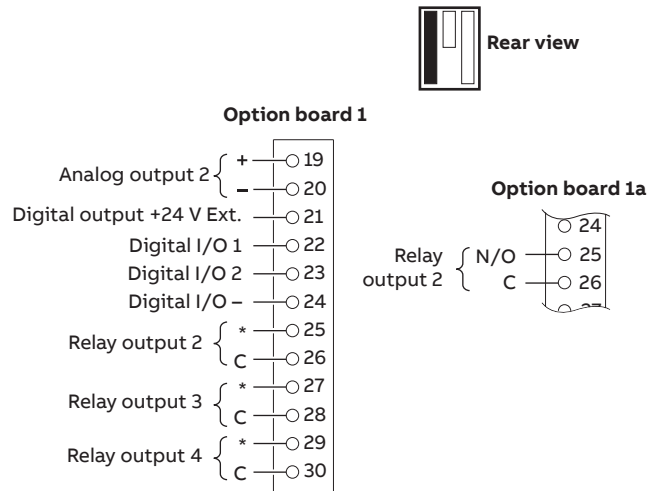
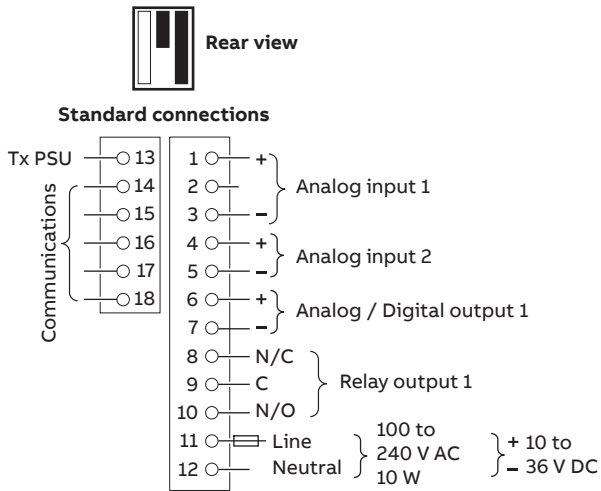
#### Case material

Glass-filled polycarbonate

\* MODBUS is a registered trademark of the MODBUS-IDA organization

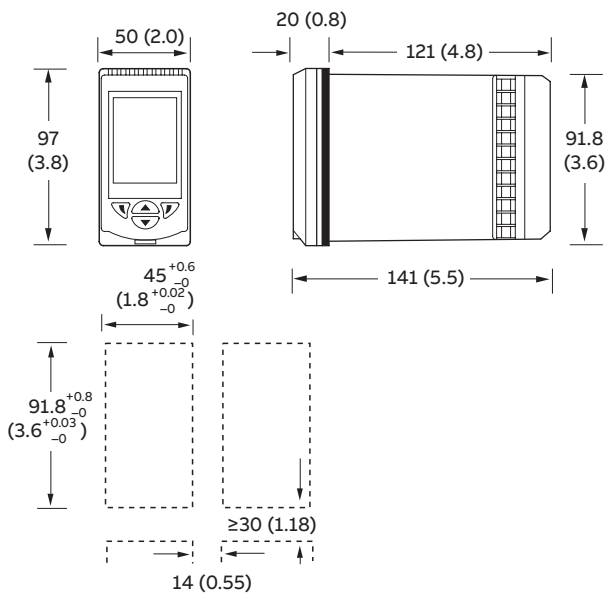
\*\* Restrictions may apply – refer to “Relays” on page 13

## Electrical connections



## Overall dimensions

Dimensions in mm (in.)



## Standard accessories

Included with each controller:

- Panel mounting clamps
- Instruction manual
- Bezel release tool
- Cold junction thermistor

## Optional accessories

- ConfigPilot PC configuration kit CM30/0715
- DIN rail mounting kit CM10/0715
- After-sales engineered configuration service ENG/CNTRL



## Ordering information

Controlmaster CM10 universal process controller, 1/8 DIN	CM10/	X	X	X	X	X	X	X	/XXX	OPT
<b>I/O build</b>										
2 analog inputs, 1 analog O/P and 1 relay (Basic)		0								
2 analog inputs, 1 analog output and 2 relays (Basic + option board 1a)		1								
2 analog inputs, 2 analog outputs, 2 digital I/O and 4 relays (Basic + option board 1)		2								
<b>Template / functionality level</b>										
Base			0							
Standard			S							
<b>Communications</b>										
None				0						
Ethernet				E						
RS 485 MODBUS				M						
<b>Approval</b>										
Standard CE					S					
cULus approval					U					
<b>Power supply</b>										
90 to 264 V AC						0				
10 to 36 V DC						1				
<b>Language</b>										
English							E			
German							G			
French							F			
Italian							I			
Spanish							S			
<b>Special features</b>										
None								0		
Unbranded front panel *								B		
<b>Configuration</b>										
Standard										STD
Custom configuration (customer to complete and supply CM10 custom configuration sheet – <a href="#">INF11/090-EN</a> )										CUS
Engineered configuration (customer to supply configuration details required)										ENG
Calibration certificate **										C1
<b>Printed instruction manual</b>										
English										M5
German										M1
Spanish										M3
French										M4
Italian										M2

\* Not available in conjunction with cULus approval.

\*\* When a calibration certificate is ordered it is performed according to the specified configuration type:  
 CUS/ENG – Inputs and outputs calibrated according to the customer supplied configuration details and ranges.  
 STD – Inputs and outputs calibrated according to the instrument factory standard configuration and ranges.

---

## Notes

---

**...Notes**

Sales



Service



Software





---

## **ABB Measurement & Analytics**

For your local ABB contact, visit:  
**[www.abb.com/contacts](http://www.abb.com/contacts)**

For more product information, visit:  
**[www.abb.com/measurement](http://www.abb.com/measurement)**

We reserve the right to make technical changes or modify the contents of this document without prior notice. With regard to purchase orders, the agreed particulars shall prevail. ABB does not accept any responsibility whatsoever for potential errors or possible lack of information in this document.

We reserve all rights in this document and in the subject matter and illustrations contained therein. Any reproduction, disclosure to third parties or utilization of its contents – in whole or in parts – is forbidden without prior written consent of ABB.