



AUXILIARY SWITCH	
19 AUX. 11 "M"	20 AUX. 12 "M"
21 AUX. 11 "M"	22 AUX. 12 "M"
23 AUX. 11 COM	24 AUX. 12 COM
25 AUX. 9 "M"	26 AUX. 10 "M"
27 AUX. 9 COM	28 AUX. 10 COM
29 AUX. 7 "M"	30 AUX. 8 "M"
31 AUX. 7 COM	32 AUX. 8 COM
33 AUX. 5 "M"	34 AUX. 6 "M"
35 AUX. 5 COM	36 AUX. 6 COM
37 AUX. 3 "M"	38 AUX. 4 "M"
39 AUX. 3 COM	40 AUX. 4 COM
41 AUX. 1 "M"	42 AUX. 2 "M"
43 AUX. 1 COM	44 AUX. 2 COM

LEFT SIDE  
TERMINAL BLOCK LABEL  
BLOCK "A"

\*SCREW TERMINAL POSITION RELATIVE TO FRONT OF CIRCUIT BREAKER

INTERNAL WIRE HARNESS COLOR CODES:	
R=RED	P=PURPLE
W=WHITE	G=GREEN
Y=YELLOW	B=BLACK
N=BROWN	L=BLUE

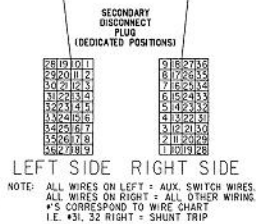
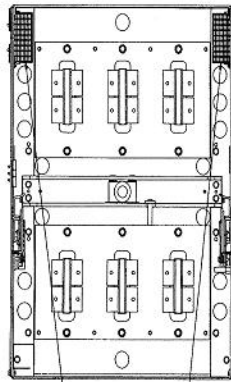
  

16 ELECT. OPER. S	16 ELECT. OPER. S
17 RMT. CHG. M	35 RMT. CHG. M
18 RMT. CLS. +	34 RMT. CLS. -
19 B.A. ONLY COM F	33 CHG. IND. F
20 B.A. ONLY NO. S	32 SHUNT TRIP N
21 B.A. ONLY N.C. S	31 SHUNT TRIP N
22 B.A. LOCKOUT COM N	30 O.V.R. N
23 B.A. LOCKOUT NO. R	29 O.V.R. R
24 B.A. LOCKOUT N.C. B	28
25	27
26	26 251 INPUT-M
27	25 251 INPUT-S
28	24 251 OUTPUT-M
29	23 251 OUTPUT-S
30	22 DVO SWITCH N
31	21 DVO SWITCH L
32	20 + TOP B
33	19 -H COM N

RIGHT SIDE  
TERMINAL BLOCK LABEL  
BLOCK "B"

### WIRE CHART

NOTE: WIRE RANGE #18 THRU #12 SOLID OR 5 STRANDED COPPER WIRE. TORQUE: 9 LB-IN

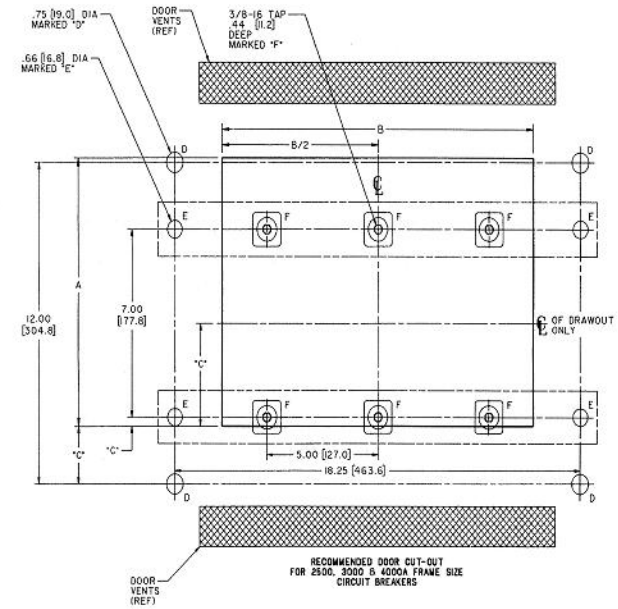


LEFT SIDE RIGHT SIDE  
NOTE: ALL WIRES ON LEFT = AUX. SWITCH WIRES. ALL WIRES ON RIGHT = ALL OTHER WIRING. \*S CORRESPOND TO WIRE CHART I.E. #31, 32 RIGHT = SHUNT TRIP

FRAME RATING	BREAKER TYPE	WEIGHT		MINIMUM COMPARTMENT VOLUME	MINIMUM DOOR VENTILATION	STANDARD DOOR CUT-OUT			OPTIONAL DOOR CUT-OUT		
		BREAKER	DRAWOUT SUBSTRUCTURE			A	B	C	A	B	C
2500A	BACK CONNECTED	167 LBS [76KG] *	N/A	13,959 CU.IN. [229,600 CU.CM.]	160 SQ.IN. [1,032 SQ.CM.] TOTAL 80 SQ.IN. [516 SQ.CM.] TOP 80 SQ.IN. [516 SQ.CM.] BOTTOM	10	14	34	9.83	13.38	29.5
	FRONT CONNECTED	178 LBS [80KG] *				[254]	[356]	[6.6]	[249.7]	[339.9]	[6.4]
3000A	BACK CONNECTED	266 LBS [98.3KG] *	N/A	20,832 CU.IN. [341,375 CU.CM.]	270 SQ.IN. [1,742 SQ.CM.] TOTAL 135 SQ.IN. [871 SQ.CM.] TOP 135 SQ.IN. [871 SQ.CM.] BOTTOM						
	FRONT CONNECTED	179 LBS [81.4KG] *									
4000A	FRONT CONNECTED	320 LBS [145.6KG] *		25,143 CU.IN. [412,020 CU.CM.]	270 SQ.IN. [1,742 SQ.CM.] TOTAL 135 SQ.IN. [871 SQ.CM.] TOP 135 SQ.IN. [871 SQ.CM.] BOTTOM			2.17			2.255
								[55.1]			[57.28]
2500A	DRAWOUT MOUNTED	232 LBS [105.6KG] *	111 LBS [50.5KG]	10,991 CU.IN. [180,109 CU.CM.]	246 SQ.IN. [1,587 SQ.CM.] TOTAL 123 SQ.IN. [793.5 SQ.CM.] TOP 123 SQ.IN. [793.5 SQ.CM.] BOTTOM	10	14	3.64	9.83	13.38	3.755
3000A		233 LBS [106KG] *	111 LBS [50.5KG]	10,991 CU.IN. [180,108 CU.CM.]	246 SQ.IN. [1,587 SQ.CM.] TOTAL 123 SQ.IN. [793.5 SQ.CM.] TOP 123 SQ.IN. [793.5 SQ.CM.] BOTTOM						
4000A		295 LBS [134.2KG] *	167 LBS [76KG]	15,138 CU.IN. [248,074 CU.CM.]	246 SQ.IN. [1,587 SQ.CM.] TOTAL 123 SQ.IN. [793.5 SQ.CM.] TOP 123 SQ.IN. [793.5 SQ.CM.] BOTTOM						

N/A = NOT APPLICABLE  
\* ADD 9 LBS [4.1KG] FOR ELECTRICAL OPERATOR

TABLE 1



RECOMMENDED DOOR CUT-OUT FOR 2500, 3000 & 4000A FRAME SIZE CIRCUIT BREAKERS

### NOTES:

- SEE OUTLINE DRAWING 10055629SH7.
- SEE 10054370SH6 FOR MECHANICAL ACCESSORY INFORMATION.
- 'F' DIA. = 2500A & 3000A BACK CONNECTED BREAKER MOUNTING INSERTS.
- 'E' DIA. = 2500A & 3000A FRONT CONNECTED BREAKER MOUNTING HOLES.
- 'D' DIA. = 4000AMP FRONT CONNECTED BREAKER MOUNTING HOLES.
- BUSBARS OR CABLES SHOULD BE SIZED PER UL89I DEAD-FRONT SWITCHBOARDS STANDARD
- DIMENSIONS IN BRACKETS ARE [METRIC].

		<b>Industrial Solutions</b>			
<b>POWER BREAK II</b>					
<b>CIRCUIT BREAKER WEIGHTS &amp; VENTS INFO</b>					
THIRD ANGLE	SHEET#	DWG NO.	DATE	REV	
	13 of 19	GEM3025	09/19	02	