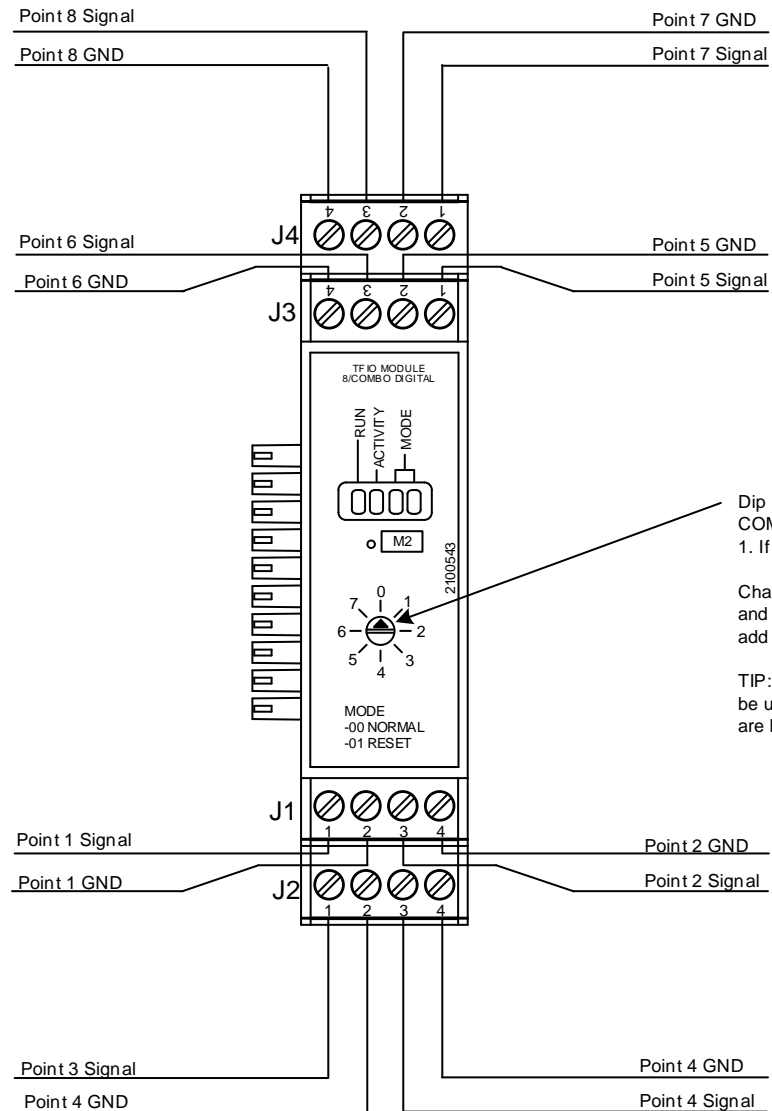


NOTES:

1. **WARNING:** This drawing does not illustrate completely the installation methods required for hazardous locations. Prior to any installation in a Classified Hazardous Location, verify installation methods by the Control Drawing referenced on the product's name tag and national and local codes.
2. **LED Indicators:**
 Run LED – Blinking indicates on-board PIC running.
 Activity LED – Blinking indicates buss activity.
 Mode LED – 00 = Normal 01 = Reset
3. **LED Operation:**
 Register 0.7.7 = 0 – Power Save Mode (LEDs off when MMI disconnected)
 Register 0.7.7 = 1 – LEDs on all the time.
4. TFIO modules with the M2 designation are designed to operate at 12 and 24 volts. All other functions of the module are the same.



There are 8 configurable points available on the I/O Module. Each point can be configured to be either an Input, and/or an Output.

Dip Switch factory default address is set at 0. If another 8/ COMBO DIGITAL TFIO is added, move that Dip Switch setting to 1. If more are added, use the next address in line for each.

Changing the address applies only to TFIOs of their own type, and not TFIOs of another type; those would also start at 0 and add new address of their own.

TIP: While 0 is recommended for the first one, any address can be used (But keep in mind the original config files in our software are built with this address and factory tests will look for it).