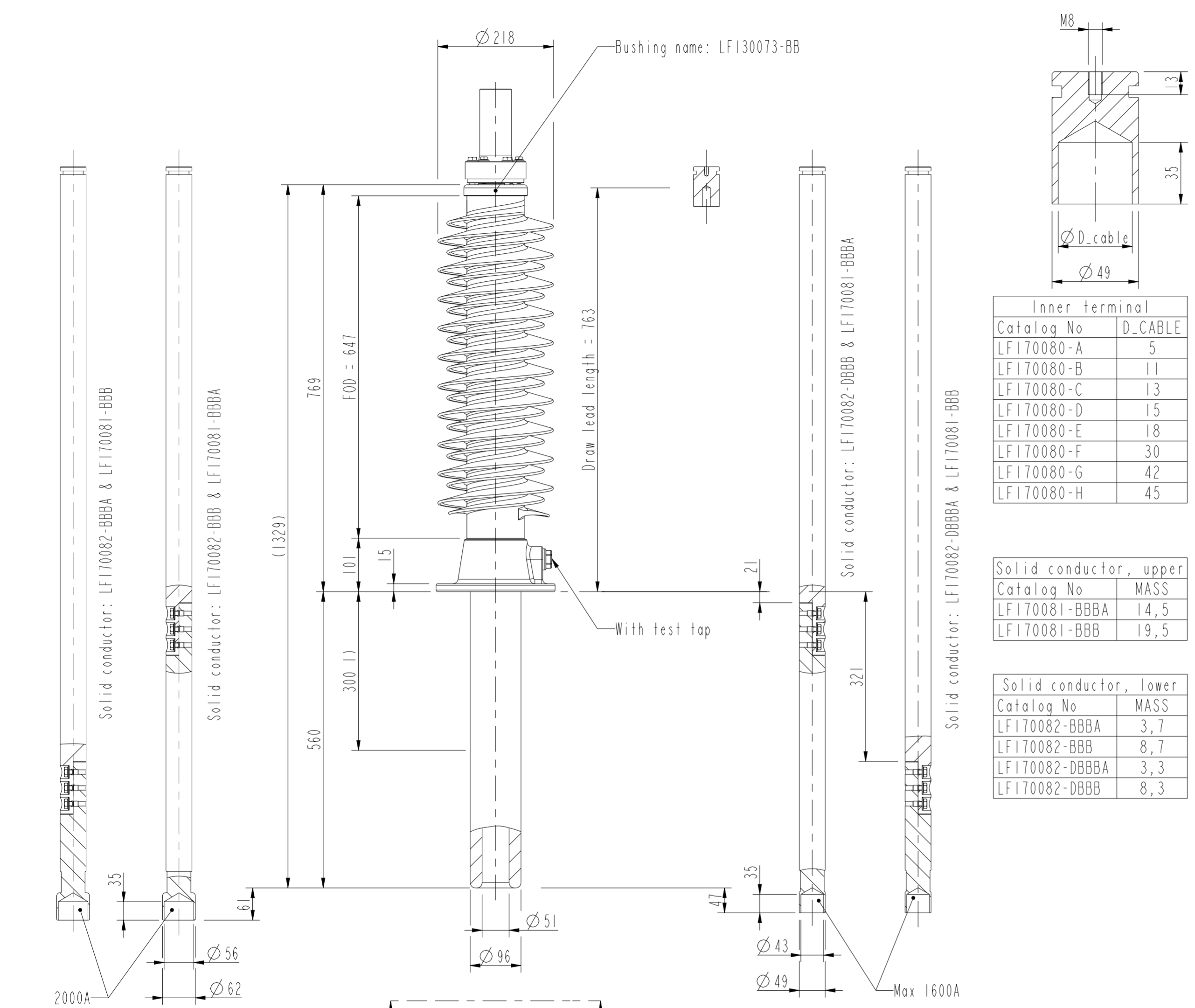


This document is issued by means of a computerized system. The digitally stored original is electronically approved. The approved document has a date entered in the "Approved"-field. A manual signature is not required.

Revision: Revision test
M Dimension updated.



Inner terminal	
Catalog No	D_CABLE
LF170080-A	5
LF170080-B	11
LF170080-C	13
LF170080-D	15
LF170080-E	18
LF170080-F	30
LF170080-G	42
LF170080-H	45

Solid conductor, upper	
Catalog No	MASS
LF170081-BBBA	14,5
LF170081-BBB	19,5

Solid conductor, lower	
Catalog No	MASS
LF170082-BBBA	3,7
LF170082-BBB	8,7
LF170082-DBBBA	3,3
LF170082-DBBB	8,3

Outer terminal				
Catalog No	MATERIAL	MASS	H2	D_STUD
LF170079-A	Al	2,3	125	60
LF170079-B	Al	1,5	125	30
LF170079-C	Cu	6,1	125	60
LF170079-D	Cu	3,5	125	30
LF170079-E	Cu/Sn	6,1	125	60
LF170079-F	Cu/Sn	3,5	125	30
LF170079-G	Cu/Ag	6,1	125	60
LF170079-H	Cu/Ag	3,5	125	30
LF170079-K	Cu	4,5	150	40
LF170079-L	Cu	3,2	75	M30x2
LF170079-M	Cu/Sn	4,1	125	38
LF170079-N	Cu/Sn	3,3	125	26
LF170079-P	Cu/Ag	3,2	125	1 1/8" UNF
LF170079-R	Al	2,3	140	60
LF170079-S	Cu/Sn	4,1	125	1 1/2" UNF
LF170079-T	Cu/Sn	3,5	125	1 1/8" UNF
LF170079-AD	Cu/Ag	3,7	80	40
LF170079-AE	Cu	3,7	80	40
LF170079-AF	Cu/Ag	5,0	125	2"-12 UNF
LF170079-AP	Cu/Ag	4,2	125	40
LF170079-AT	Cu/Ag	3,3	80	30
LF170079-AU	Cu	3,3	80	30
LF170079-AW	Al	1,5	140	30
LF170079-AX	Cu/Sn	3,3	80	30
LF170079-AY	Cu/Ni	3,5	125	30

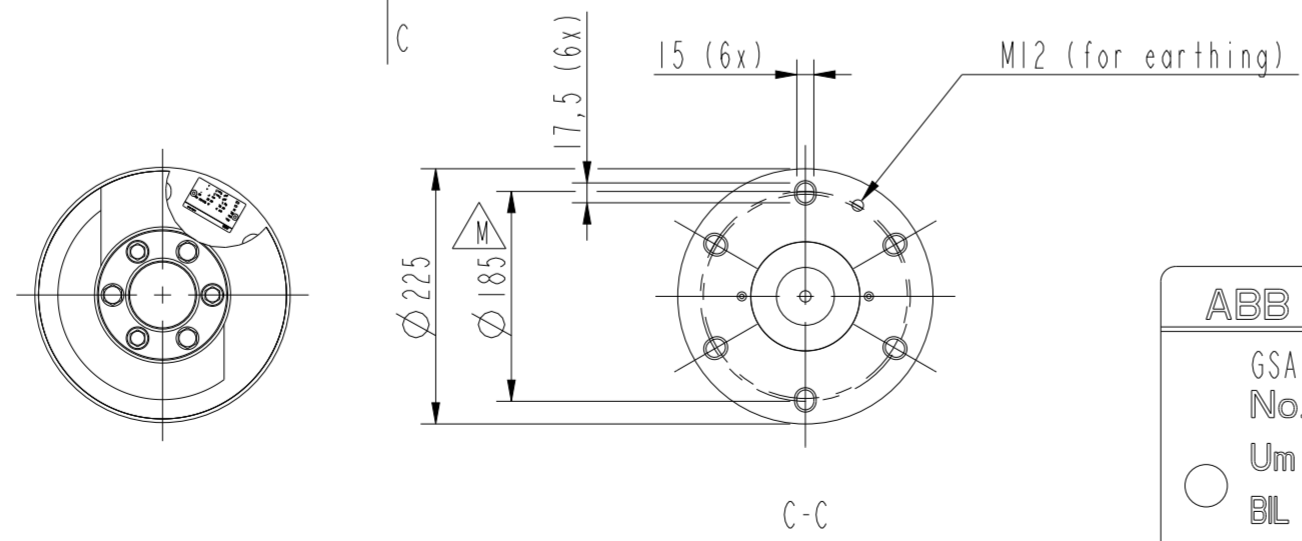
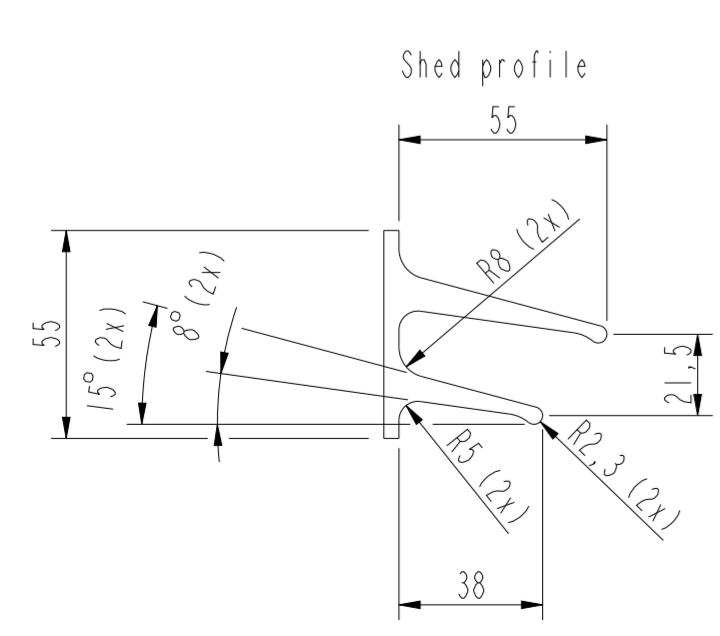
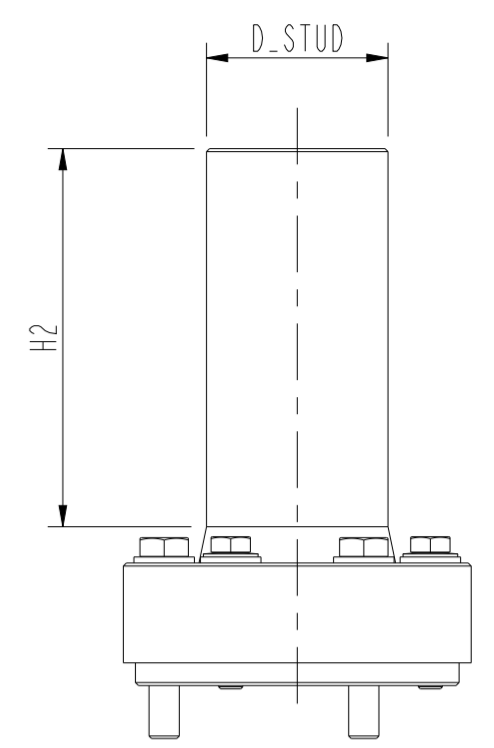


ABB Ludvika, Sweden

GSA 73-OA 2000/0.3 LF130073-BB
No.

Um 72.5 kV Ir2000 A 50/60 Hz
BIL 350 kV SIL - kV AC 160 kV

M 20 kg L 560 mm √ 0-90°

C1 pF Tan δ x
C2 pF Tan δ x

ELECTRICAL DATA acc. to IEC 60137		
Ratings	Rated voltage	72.5 kV
	Rated phase-to-earth voltage	42 kV
	Max. phase to earth voltage, temporary	72.5 kV
	Max. current with Cu-conductor	2000 A
	Max. current with stranded cable 740 mm²	1250 A
	Dry lightning impulse	350 kV
Routine test	Wet power frequency	140 kV
	Dry power frequency	160 kV
Capacitance	Nominal capacitance	502 pF

GENERAL DATA		
Silicone rubber insulator	Creepage distance	2323 mm
	Protected creepage distance	1000 mm
Mass	Color	Light gray ANSI 70
	Bushing	20 kg
Cantilever load	Cantilever test load, according to IEC 60137	4000 N
	Max. cantilever operating load, bushing	2000 N
Ambient air temperature		-50 to +40 °C
Mounting and service instructions		2750515-115

ELECTRICAL DATA acc. to ANSI C57.19.00		
Ratings	Insulation class	69 kV
	Rated max. line to ground voltage	44 kV
	Max. current with Cu-conductor	2000 A
	Max. current with stranded cable 740 mm²	1250 A

Dim. requirements acc. to C57.19.1 not fulfilled				
Approved	Document kind	Based on doc.id	Work order id	Project id
2020-03-25	Outline Drawing			
Company	Title, Supplementary title			
ABB Technology Ltd	Dimension drawing GSA 73-OA 2000/0.3			
Responsible Department	Måttskiss GSA 73-OA 2000/0.3			
SEABB-9AAE300824	Document id	Status	Revision	Iteration
ABB	2751362-BBB	Released	M	1/1

1) Maximum space for wall and CT.