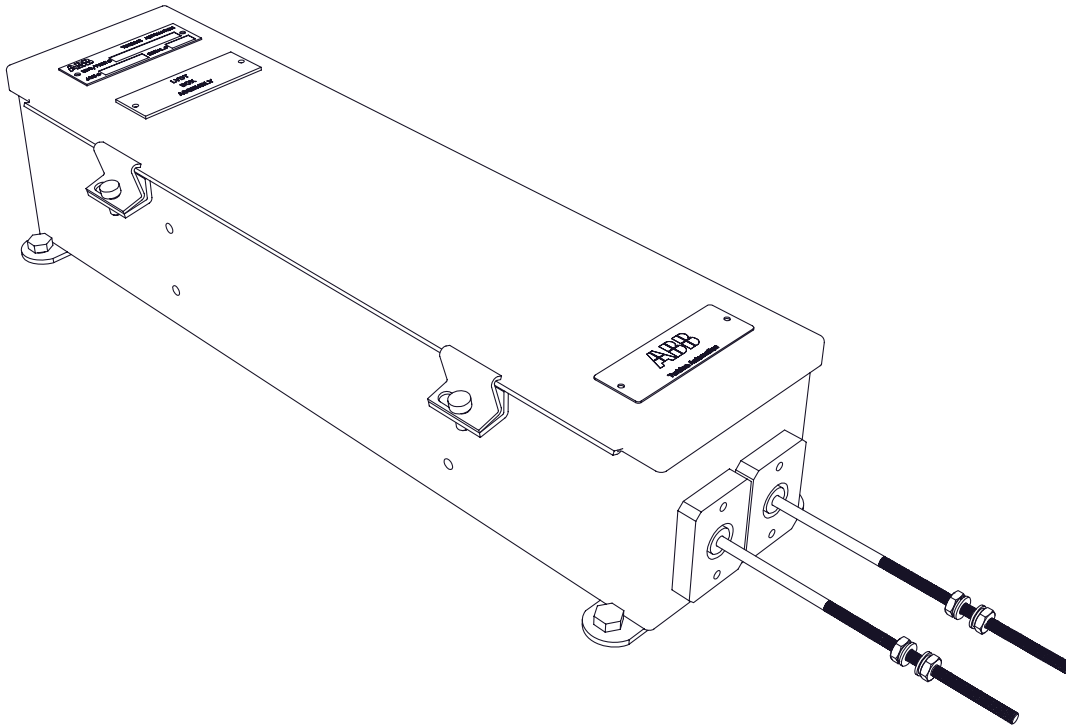


ABB Inc.

Dual LVDT Assembly
Product No. C22X100X

ABB Inc.



Dual LVDT Assembly

Product No. C22X100X

ABB Inc.

Dual LVDT Assembly Product No. C22X100X

Specifications:

| | |
|--------------------------|-------------------------|
| Input Voltage: | 3.0 Vrms (nominal) |
| Input Frequency: | 2.5 to 3.0 kHz |
| Operating Stroke: | Varies with application |
| Manufacturer: | Macrosensors |

Dual LVDT Assembly (Product No. C22X100X)

The Dual LVDT C22X100X Assembly provides the following advantages: (1) a switchable backup of the active LVDT, (2) a digital function in the control system, (3) infinite resolution throughout the useable range, (4) unlimited mechanical life with minimal or no contact between the core and coil structure, and (5) over travel protection since the internal bore is open at both ends.

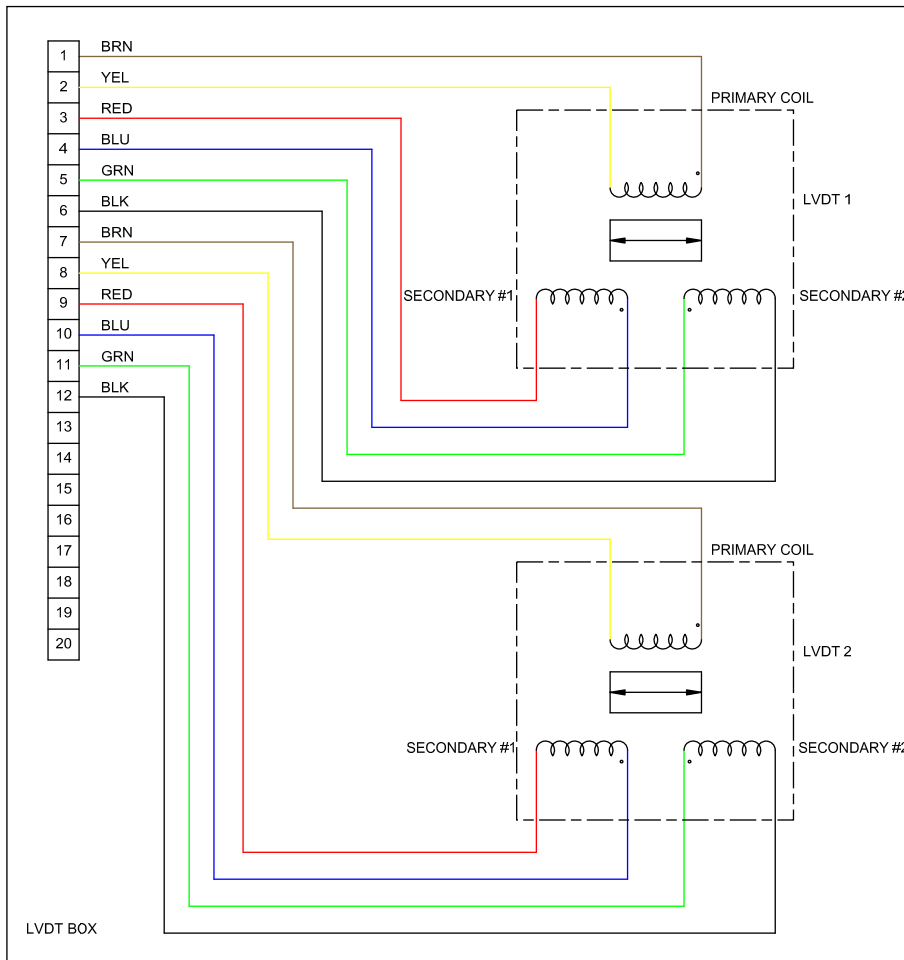
In principle, the Linear Variable Differential Transformer (LVDT) is an electromechanical transducer converting rectilinear motion of the core (coupled mechanically to an actuator) into a corresponding electrical signal. This electrical signal represents the position of the actuator within the calibrated range of the LVDT.

Periodic Maintenance

As with all mechanical components, a minimal level of preventive maintenance is required for long-term reliability and availability. The following periodic maintenance items should be scheduled by Plant Maintenance staff.

| COMPONENT | INTERVAL | DESCRIPTION |
|----------------------|----------|-------------|
| LVDT Mounting Screws | Monthly | Inspect |
| LVDT Core Rod | Monthly | Inspect |
| LVDT | Annual | Calibrate |

Dual LVDT Assembly
Product No. C22X100X
Electrical Schematic



Installation Drawing

