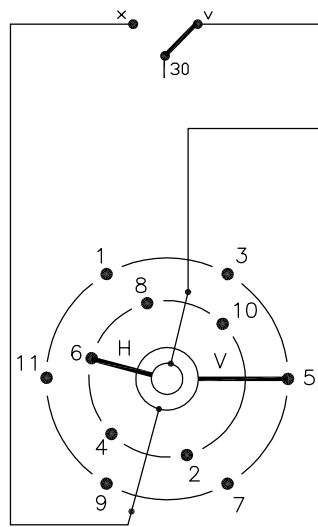
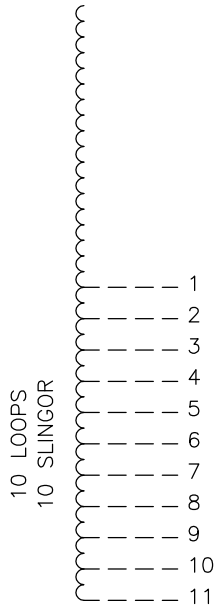


We reserve all rights in this document and in the information contained therein. Reproduction, use or disclosure to third parties without express authority is strictly forbidden.
© ABB '19

On-load tap-changer type UCGL./C, VUCGL./C, 11 tap positions, linear switching.
Min. effective No. of turns in pos. 1.
The tap-changer is delivered set in pos. 6, the preceding pos. was 5.

Lindningskopplare typ UCGL./C, VUCGL./C, 11 lägen, linjär koppling.
Min antal effektiva varv i läge 1.
Lindningskopplaren levereras inställd i läge 6, föregående läge var 5.



Diverter switch
Lastkopplare

Tap selector
Väljare

Pos. Läge	Tap selector and diverter switch connect	Väljaren och lastkopplaren förbinder
1	1-V-x	30
2	2-H-v	
3	3-V-x	
4	4-H-v	
5	5-V-x	
6	6-H-v	
7	7-V-x	
8	8-H-v	
9	9-V-x	
10	10-H-v	
11	11-V-x	

The tap-changer is shown in pos. 6, the preceding pos. was 5.
The tap selector is seen from above.
Contact arm V is located above contact arm H.

Lindningskopplaren visad i läge 6, föregående läge var 5.
Väljaren sedd uppifrån.
Kontaktarm V ligger över kontaktarm H.

Continuous lines show leads included in the tap-changer. Dashed lines show leads belonging to the cleats and leads.

Heldragna linjer visar ledare som ingår i lindningskopplaren. Streckade linjer visar ledare som tillhör anslutningsdonet.

2	Tap selector pos 12 removed	TOLA	16	03
1	VUCG Added.	SUKN	07	47
Rev Ind	Revision	Appd	Year	Week

Accepted by qual control R.Yngvesson	Accepted for prod by	Description (English) CONNECTION DIAGRAM	DATAORIGINAL
Design checked by B-O.Stenestam	Drawn by L.Bergman	Description (own language) KOPPLINGSSHEMA	File name 0376-7
Drawing checked by M.Hedlund	Issued by Dept Year Week COM/TKO 97 22	5492 0376-7	
ABB Asea Brown Boveri			
		RevInd	Cont -

Sheet	Cont
Year	Week
Dept	
RevInd	
Design checked by	
Drawn by	