

Type SCS Indoor current transformer

Product features

- 600 volt, indoor, 10 kV BIL
- 25 - 400 Hertz
- Primary amperes: 100 - 2500
- Continuous current rating factor:
1.33 @ 30° C ambient, 1.00 @ 55° C ambient

Application

The SCS current transformer is used as the source of current for relaying and metering and is available in two internal window diameter sizes.

Construction features

The ring-type core is insulated and toroidally wound with a fully distributed secondary winding. The protective case, made of an impact-resistant polycarbonate, is ultrasonically sealed.

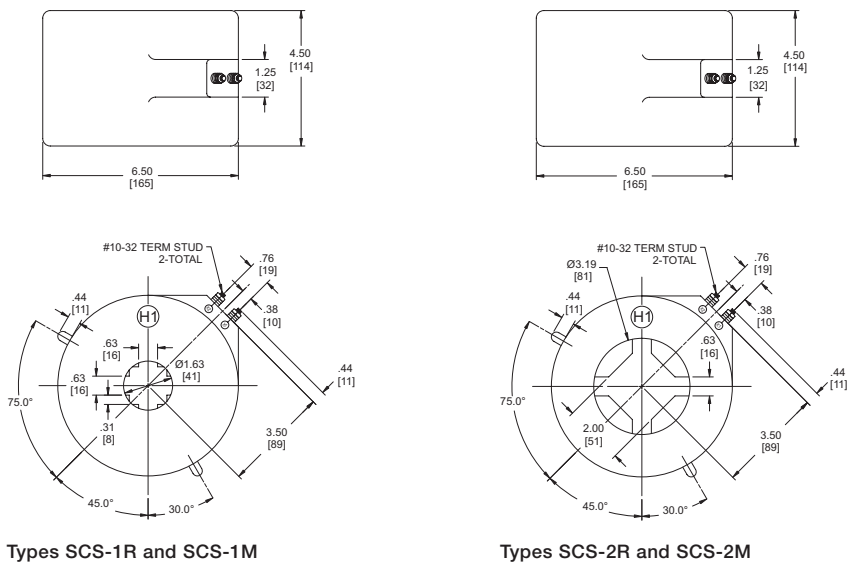
Secondary terminals

Secondary terminals are 10-32 brass terminal studs with hardware.

Curves

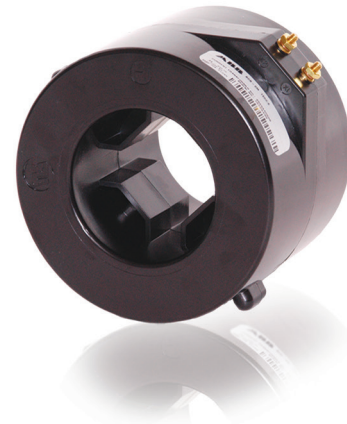
Saturation, overcurrent, ratio correction factor, and phase-angle curves are available upon request.

Dimensions



Types SCS-1R and SCS-1M

Types SCS-2R and SCS-2M



Test reports

IEEE test reports are stored electronically and can be e-mailed in various formats at the time of shipment.

Standards

This unit meets all applicable IEEE and NEMA standards and is a UL Recognized Component.

Type	Window size		Approx. weight (lbs)
	(in)	(mm)	
SCS-1R	1.63	41	20
SCS-1M	1.63	41	13
SCS-2R	2.00	51	14
SCS-2M	2.00	51	8

Selection guide							
Primary ampere rating	IEEE metering accuracy					IEEE relaying accuracy	Style number
	B-0.1	B-0.2	B-0.5	B-0.9	B-1.8		
Type SCS-1R (1.63" window)							
100	1.2	1.2	2.4	2.4	4.8	C20	9628A39G01
150	0.6	0.6	1.2	1.2	2.4	C20	9628A39G02
200	0.6	0.6	0.6	1.2	1.2	C50	9628A39G03
300	0.3	0.3	0.3	0.6	0.6	C50	9628A39G04
400	0.3	0.3	0.3	0.3	0.6	C100	9628A39G05
600	0.3	0.3	0.3	0.3	0.3	C100	9628A39G06
800	0.3	0.3	0.3	0.3	0.3	C100	9628A39G07
1000	0.3	0.3	0.3	0.3	0.3	C200	9628A39G08
1200	0.3	0.3	0.3	0.3	0.3	C200	9628A39G09
1500	0.3	0.3	0.3	0.3	0.3	C200	9628A39G10
1600	0.3	0.3	0.3	0.3	0.3	C200	9628A39G11
2000	0.3	0.3	0.3	0.3	0.3	C200	9628A39G12
2500	0.3	0.3	0.3	0.3	0.3	C200	9628A39G13
Type SCS-1M (1.63" window)							
100	1.2	2.4	4.8	4.8	-	-	9628A38G01
150	0.6	0.6	1.2	1.2	4.8	-	9628A38G02
200	0.6	0.6	1.2	1.2	2.4	-	9628A38G03
300	0.3	0.3	0.6	0.6	1.2	-	9628A38G04
400	0.3	0.3	0.3	0.3	0.6	-	9628A38G05
600	0.3	0.3	0.3	0.3	0.6	-	9628A38G06
800	0.3	0.3	0.3	0.3	0.3	-	9628A38G07
1000	0.3	0.3	0.3	0.3	0.3	-	9628A38G08
1200	0.3	0.3	0.3	0.3	0.3	-	9628A38G09
1500	0.3	0.3	0.3	0.3	0.3	-	9628A38G10
1600	0.3	0.3	0.3	0.3	0.3	-	9628A38G11
2000	0.3	0.3	0.3	0.3	0.3	-	9628A38G12
2500	0.3	0.3	0.3	0.3	0.3	-	9628A38G13

Selection guide							
Primary ampere rating	IEEE metering accuracy					IEEE relaying accuracy	Style number
	B-0.1	B-0.2	B-0.5	B-0.9	B-1.8		
Type SCS-2R (2.0" window)							
100	1.2	2.4	4.8	-	-	C5	9628A41G01
150	1.2	1.2	2.4	4.8	-	C10	9628A41G02
200	0.6	1.2	2.4	2.4	-	C15	9628A41G03
300	0.3	0.6	1.2	1.2	2.4	C20	9628A41G04
400	0.3	0.3	0.6	1.2	2.4	C30	9628A41G05
600	0.3	0.3	0.3	0.6	0.6	C50	9628A41G06
800	0.3	0.3	0.3	0.6	0.6	C50	9628A41G07
1000	0.3	0.3	0.3	0.3	0.6	C80	9628A41G08
1200	0.3	0.3	0.3	0.3	0.3	C70	9628A41G09
1500	0.3	0.3	0.3	0.3	0.3	C80	9628A41G10
1600	0.3	0.3	0.3	0.3	0.3	C80	9628A41G11
2000	0.3	0.3	0.3	0.3	0.3	C30	9628A41G12
2500	0.3	0.3	0.3	0.3	0.3	C30	9628A41G13
Type SCS-2M (2.0" window)							
100	1.2	2.4	4.8	-	-	-	9628A40G01
150	1.2	1.2	2.4	4.8	-	-	9628A40G02
200	0.6	1.2	2.4	2.4	-	-	9628A40G03
300	0.3	0.6	1.2	1.2	2.4	-	9628A40G04
400	0.3	0.3	0.6	1.2	2.4	-	9628A40G05
600	0.3	0.3	0.3	0.6	0.6	-	9628A40G06
800	0.3	0.3	0.3	0.6	0.6	-	9628A40G07
1000	0.3	0.3	0.3	0.3	0.6	-	9628A40G08
1200	0.3	0.3	0.3	0.3	0.3	-	9628A40G09
1500	0.3	0.3	0.3	0.3	0.3	-	9628A40G10
1600	0.3	0.3	0.3	0.3	0.3	-	9628A40G11
2000	0.3	0.3	0.3	0.3	0.3	-	9628A40G12
2500	0.3	0.3	0.3	0.3	0.3	-	9628A40G13

1VAP428871-DB July 2013 Rev. B

For more information please contact:

ABB Inc.
Medium Voltage Distribution Components
 3022 NC 43 North
 Pinetops, NC 27864
 USA
 Phone: +1 252 827 3212
 Fax: +1 252 827 4286

www.abb.com/mediumvoltage



UL Recognized Component; File No. E96461