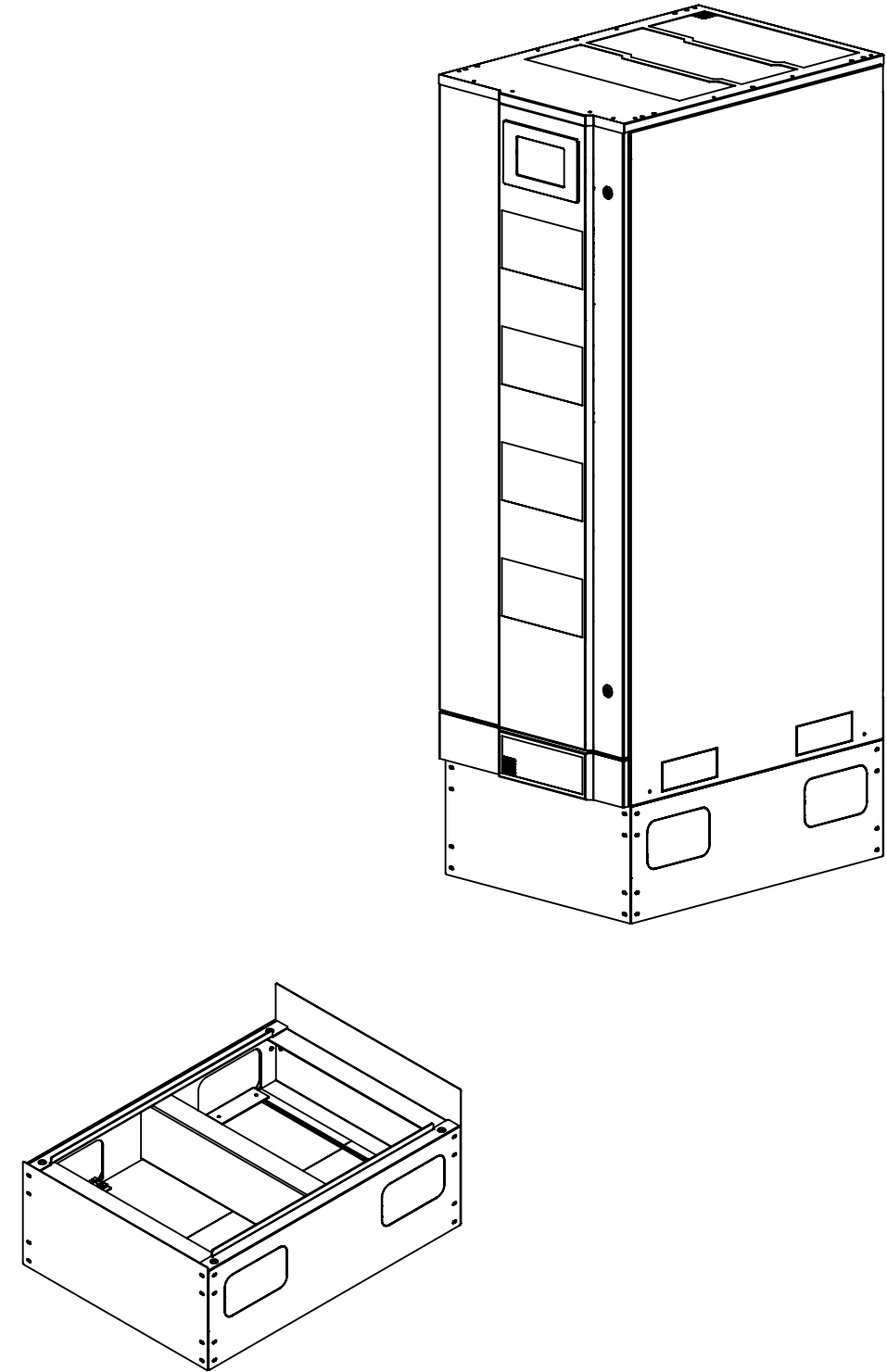
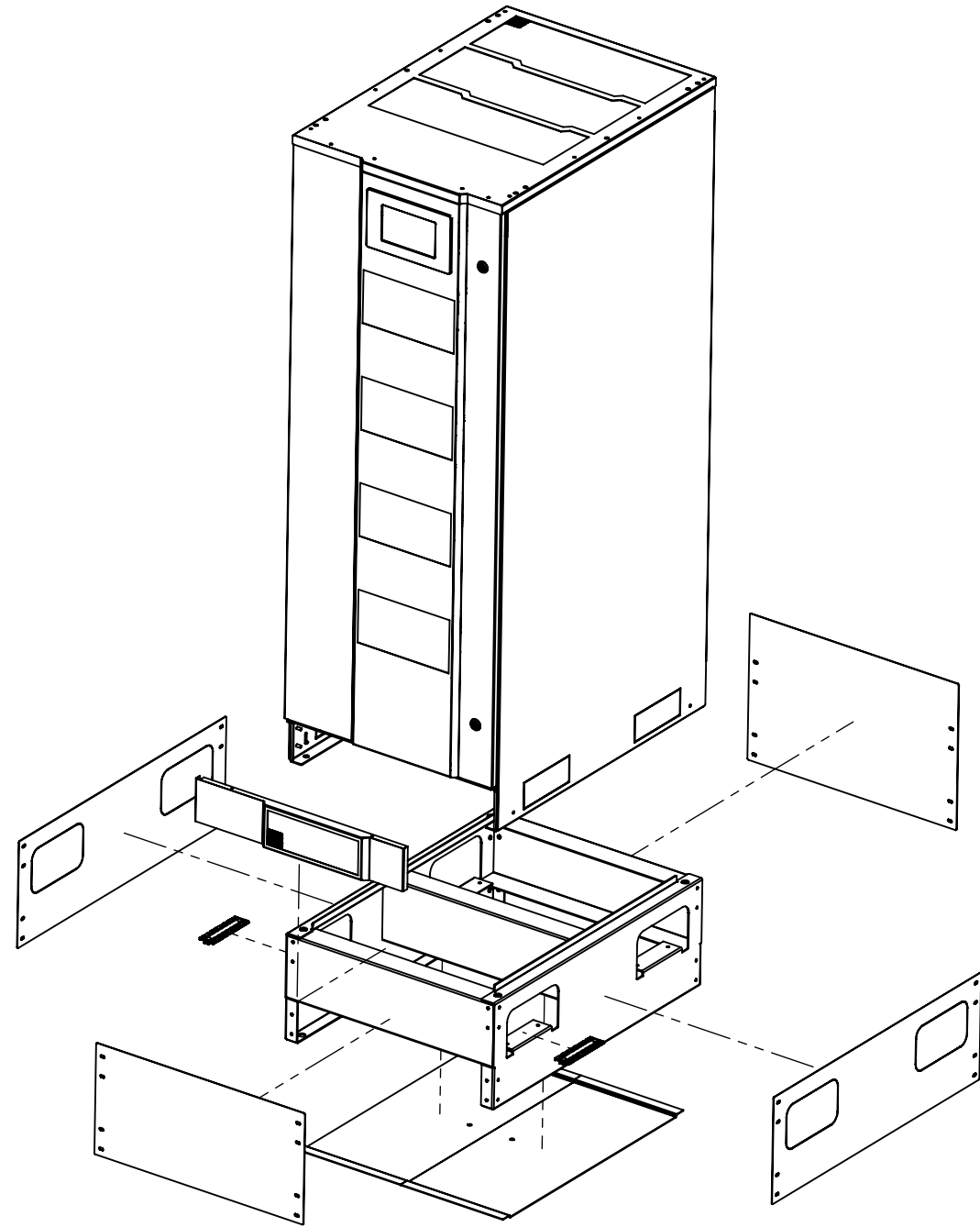


We reserve all rights in this document and in the information contained therein. Reproduction, use or disclosure to third parties without express authority is strictly forbidden. © Copyright 2014 ABB.



A00	--	JAS	INITIAL RELEASE	08/05/2020
Rev.	ECN#	Resp.	Description	Date

Revision Table

Units	Sheet Size	Scale	
Inch	B	1:48	
Item ID	Item Rev.	Date Drawn	
94-1400-00001625	A1	08/05/2020	
Document ID	Doc. Rev.	Page	
94-1400-00001625	A1	1 / 3	

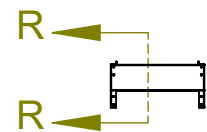
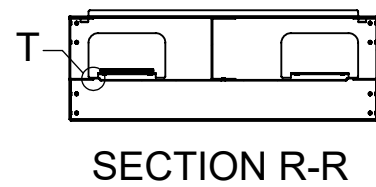
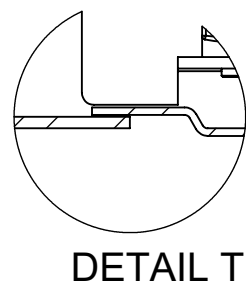
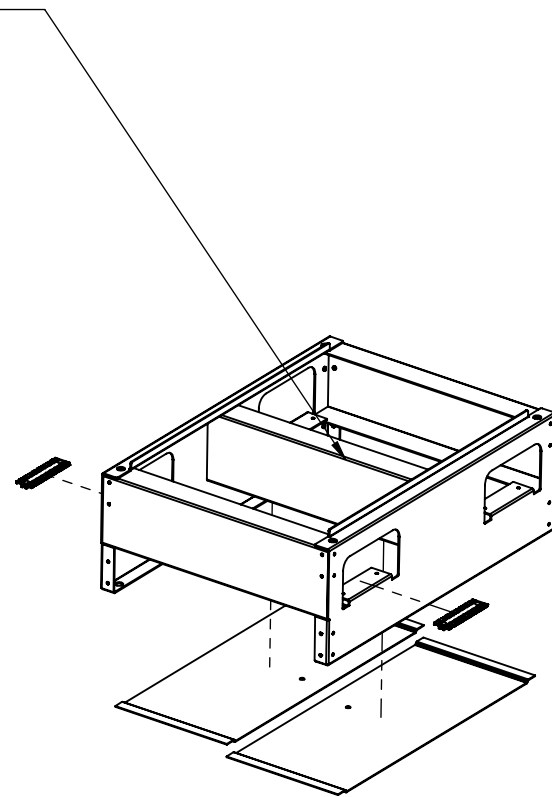
Material N/A	Finish N/A	Prepared DOUGLAS MILBY
Tolerances X.XX = ±.03 X.XXX = ±.015	Unless Otherwise Specified: Inside bend radius equals one material thickness. Remove all burrs and sharp edges. Part must comply with company document 94-10-000001. Interpret drawing in accordance with ASME Y14.5-2009.	Approved N/A Division/Dept. Power Protection
Hole ϕ = ±.005 Angle = ±1/2°		

Title TLE Scalable Stand Reconnect INST	
	Document Kind DetailDrawing

STEP 1

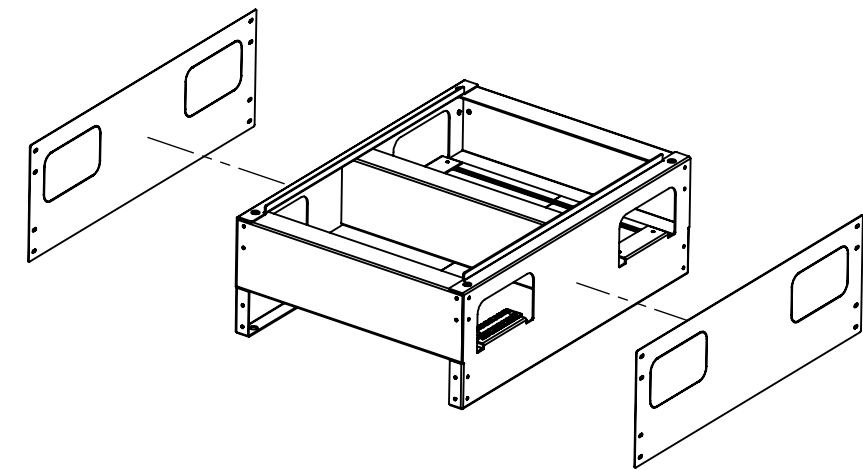
If installing a Stand already assembled, remove external painted panels and go to step 2

- a) Orient the stand so that the center channel "C" profile opening faces the rear
- b) Install strain relief in left and right front most side holes with provided hardware
- c) Install floor plates so that the offsets set inside front and rear channels. See Detail View



STEP 2

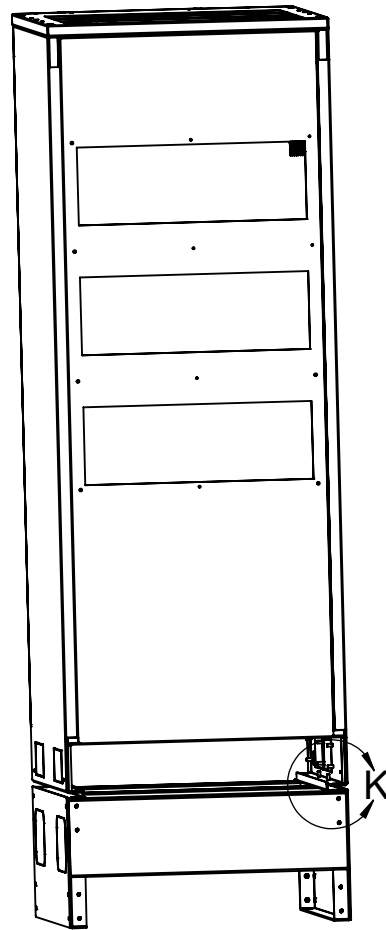
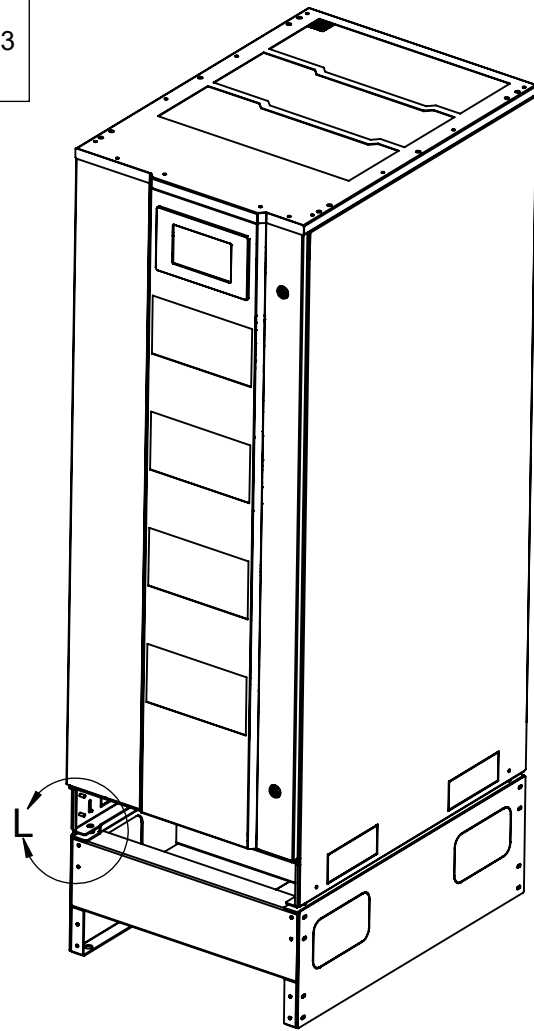
Center side pannels center front to back and secure with provided hardware



If only shipping the stand go to step 4

If shipping attached to UPS supply stand and remaining parts unassembled to the person performing step 3

STEP 3



CAUTION:
NEVER ALLOW ANY PART OF YOUR BODY TO BE UNDER THE LIFTED ASSEMBLY. STAND AT LEAST 6 FEET AWAY FROM THE UPS WHEN BEING MOVED WITH A LIFT.

a) Unbolt TLE Scalable from pallet

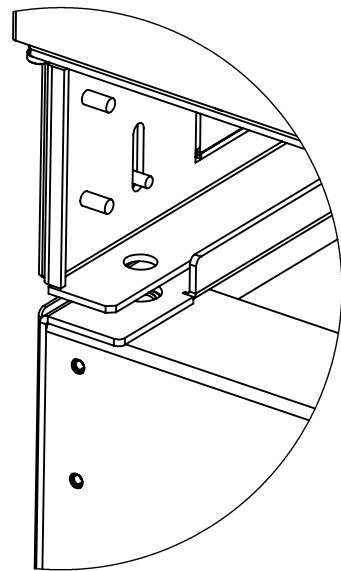
See Detail Views

b) Have **Skilled** forklift operator lift UPS **ONLY** high enough to clear the sides of the stand **not** the top lips. The top lips of the stand should fit between the feet of the UPS as shown in details.

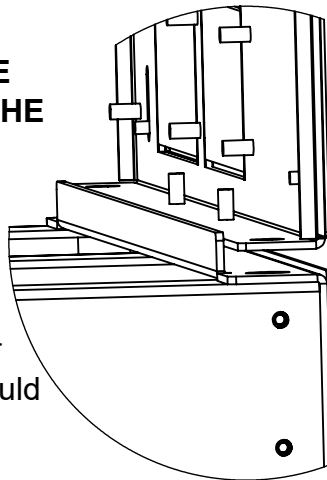
c) Carefully align the 4 holes between the UPS and the stand as well as the stand and the pallet.

d) Stand clear and lower UPS onto pallet.

e) Secure UPS to stand with provided hardware and the stand to the pallet with original hardware supplied with UPS.

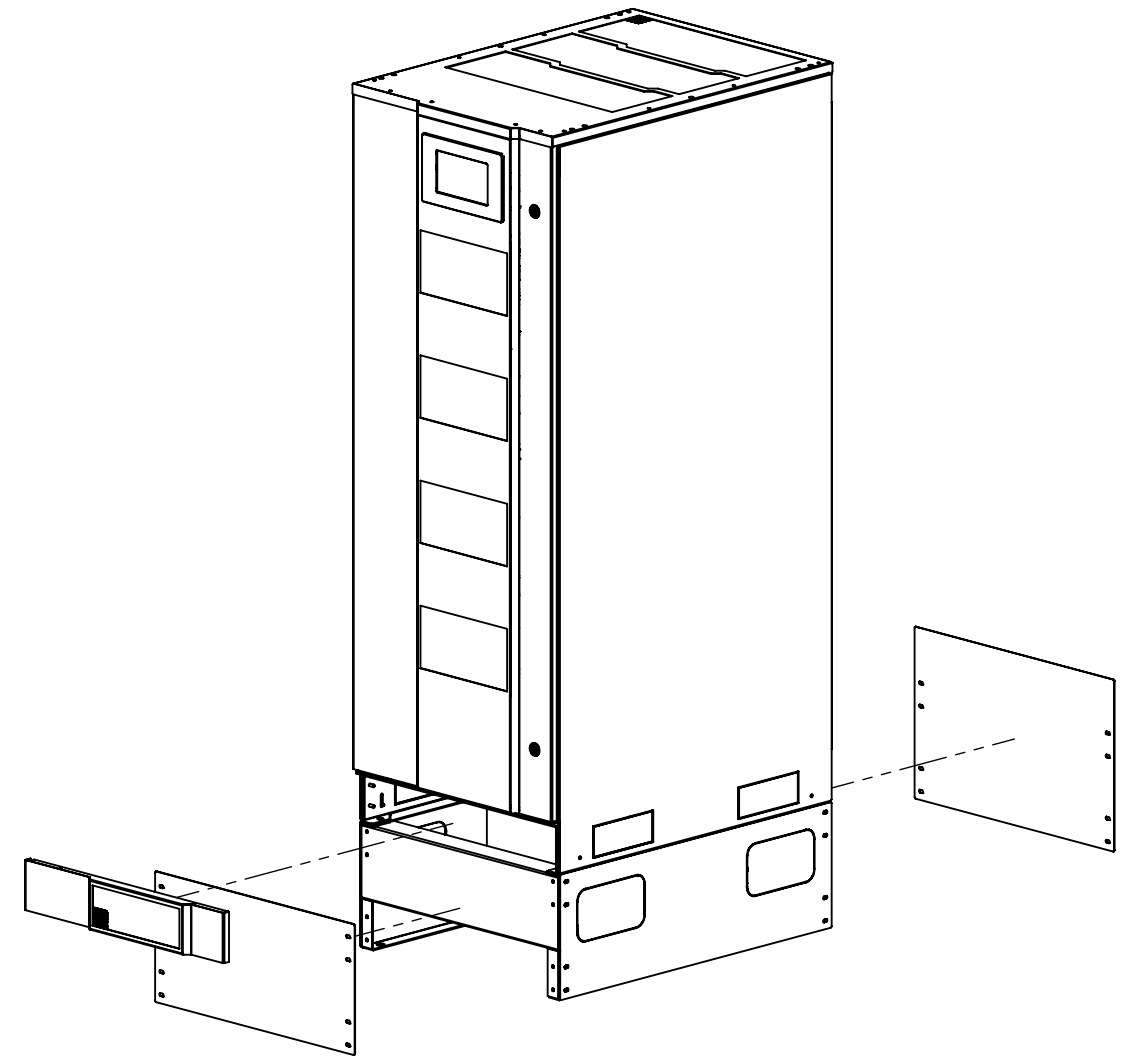


DETAIL L
SCALE 1 : 3



DETAIL K
SCALE 1 : 3

STEP 4



Once attached to the pallet:

a) Install the front and rear flat plates with provided hardware. Insure they are centered for appearance. **(this completes the stand if shipping by itself)**

b) Install kick plate provided with UPS with the screws provided with the UPS.

c) Make sure any parts, hardware, Keys, etc. that were with the UPS prior to the stand installation are secured on or in the UPS cabinet