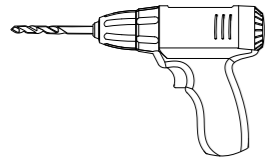
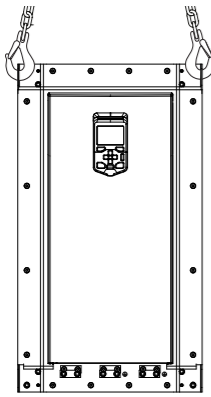


ACS580-01..., ACH580-01... and ACQ580-01...IP66 / UL Type 4X Flange mounting kit quick installation guide for frames R1 to R3



T20 Torx

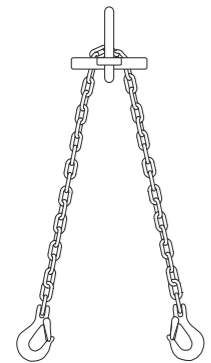
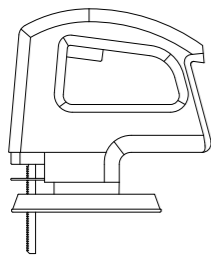
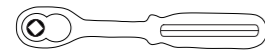
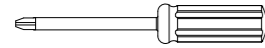
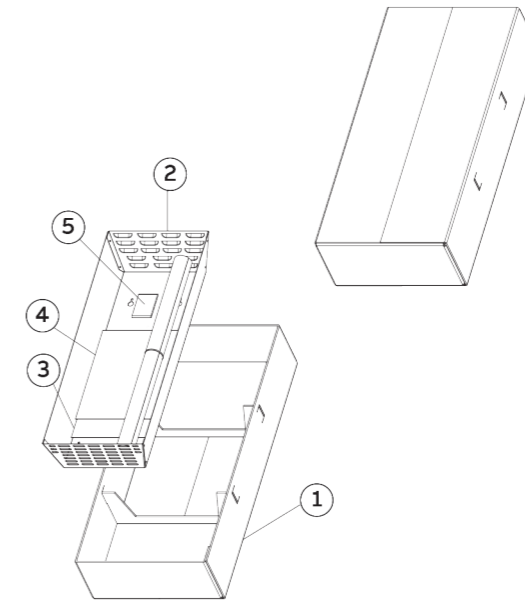


ABB parts

Available as option order codes shown below. Also available as a kit for the 580-series IP66 / UL Type 4X:

Complete kit	Description	Consisting of:		
3AXD50001125462	FMK-C-R1 580 4X IP66	3AXD50000896011	FFK-C-R1 580 4X IP66	Front frame
		3AXD50001111625	BHK-C-R1 580 4X IP66	Back hood
		Consisting of:		
3AXD50001125479	FMK-C-R2 580 4X IP66	3AXD50000896028	FFK-C-R2 580 4X IP66	Front frame
		3AXD50001111632	BHK-C-R2 580 4X IP66	Back hood
		Consisting of:		
3AXD50001125486	FMK-C-R3 580 4X IP66	3AXD50000896035	FFK-C-R3 580 4X IP66	Front frame
		3AXD50001111649	BHK-C-R3 580 4X IP66	Back hood
		Consisting of:		

Back hood parts



3AXD50001110758

Back hood parts	
1	Cardboard box
2	Back hood
3	Mounting Template
4	Quick Guide
5	Screw package containing (4) M4x25 EMS screws

Recommended Hardware

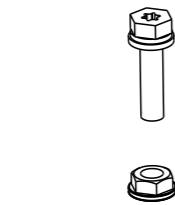
All hardware: Stainless Steel, Type: 302, 303, 304, 305, 309 or 316

Not provided - supplied by user

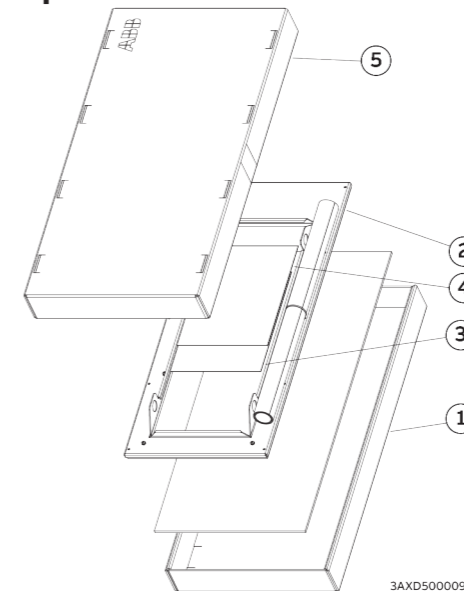
R1: 8 x
R2: 8 x
R3: 10 x

Screws: M4 x 0.7 x 25mm (min)
Fasteners: PEM type PLC-M4x0.7 (Nylon Lock) or standard M4x0.7-PEM or M4x0.7 nut and lock washer

Sealant Dowsil 732 or equivalent



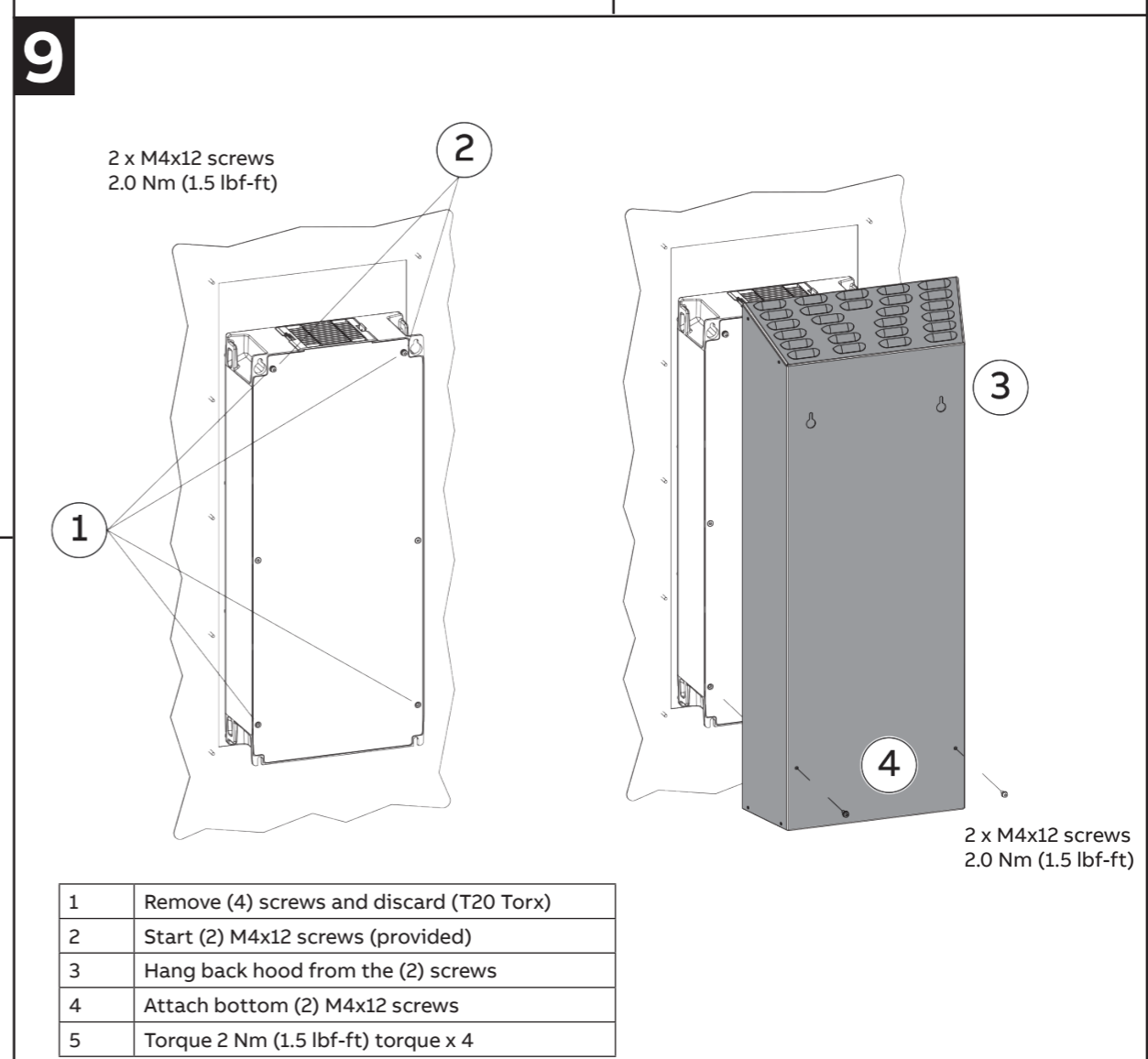
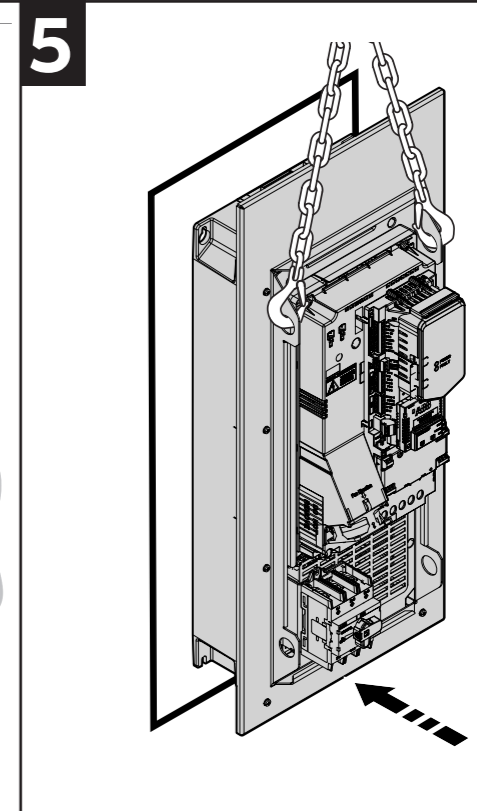
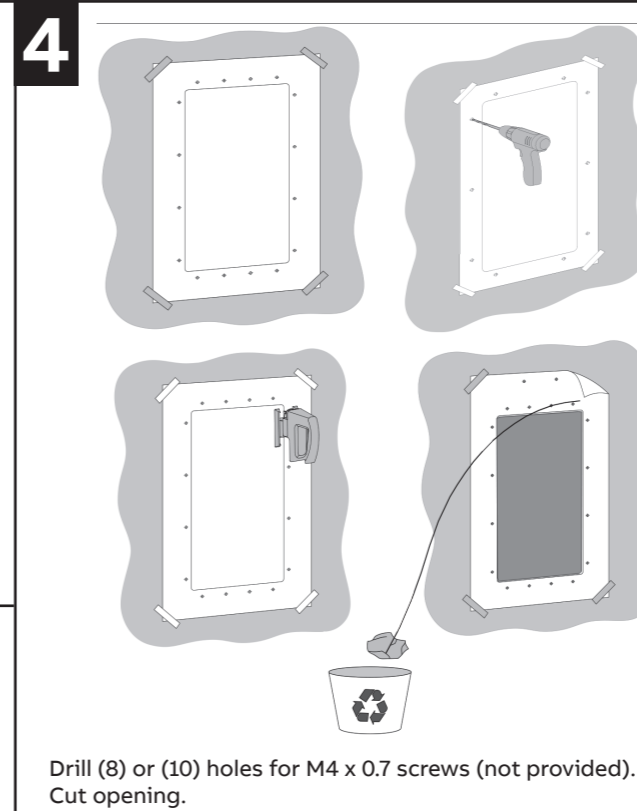
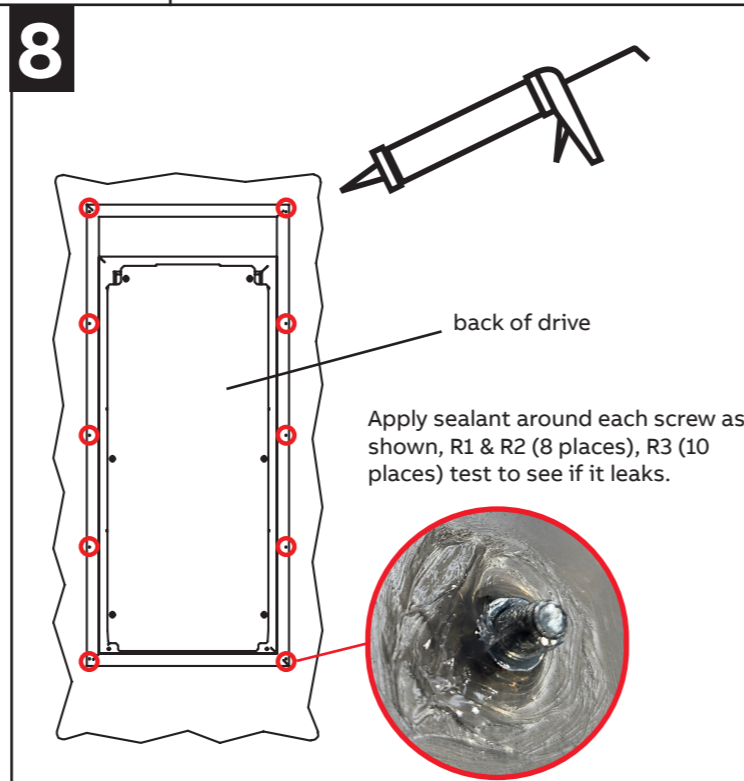
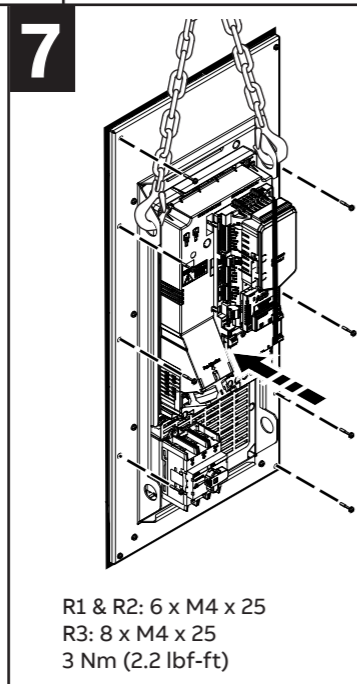
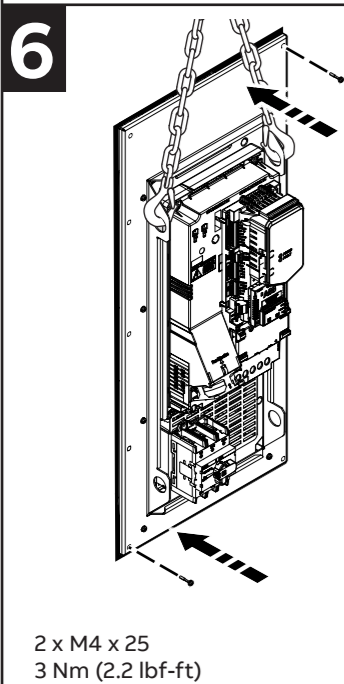
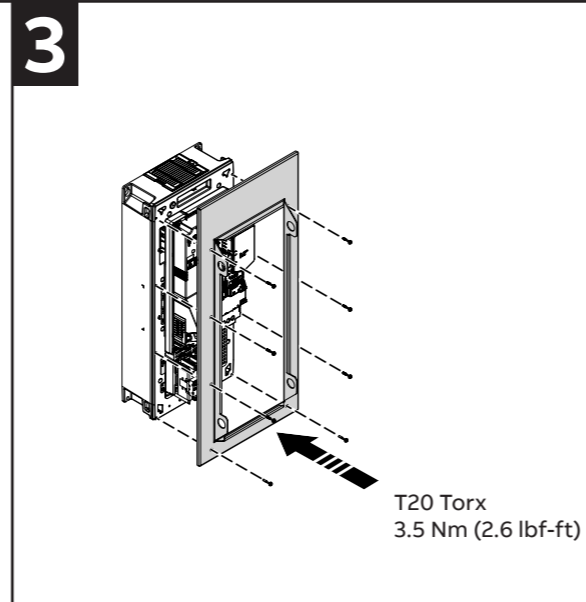
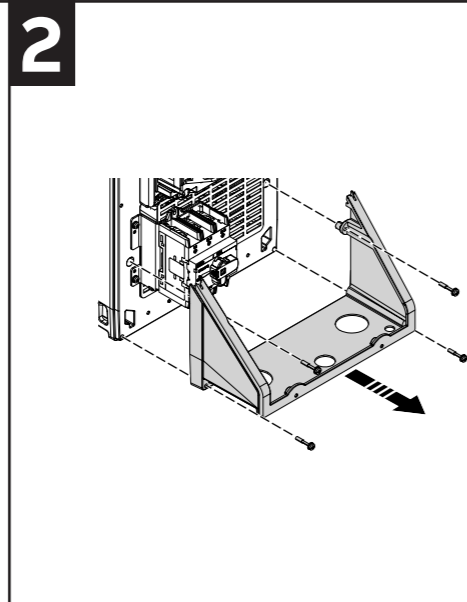
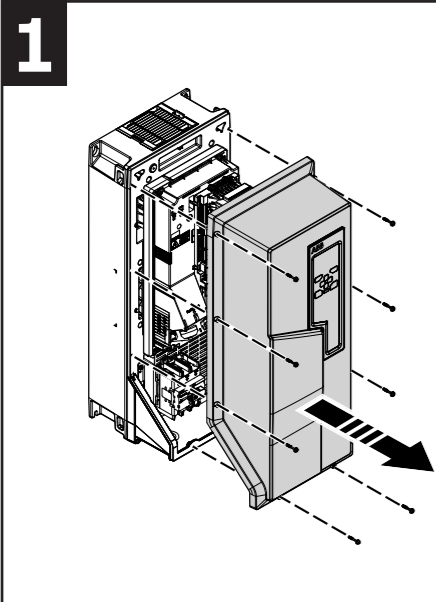
Front frame parts



3AXD50000958641

Front frame parts	
1	Cardboard tray
2	Flange
3	Mounting Template
4	Quick Guide
5	Top cardboard cover





For dimensions, see the mounting template delivered with the flange mounting kit or ACS580-01..., ACH580-01... and ACQ580-01...+C135 drives with flange mounting kit supplement (3AXD50000349821 [English]).
Go to www.abb.com/drives

[ACS580-01 manuals](#)



[ACH580-01 manuals](#)



[ACQ580 manuals](#)

