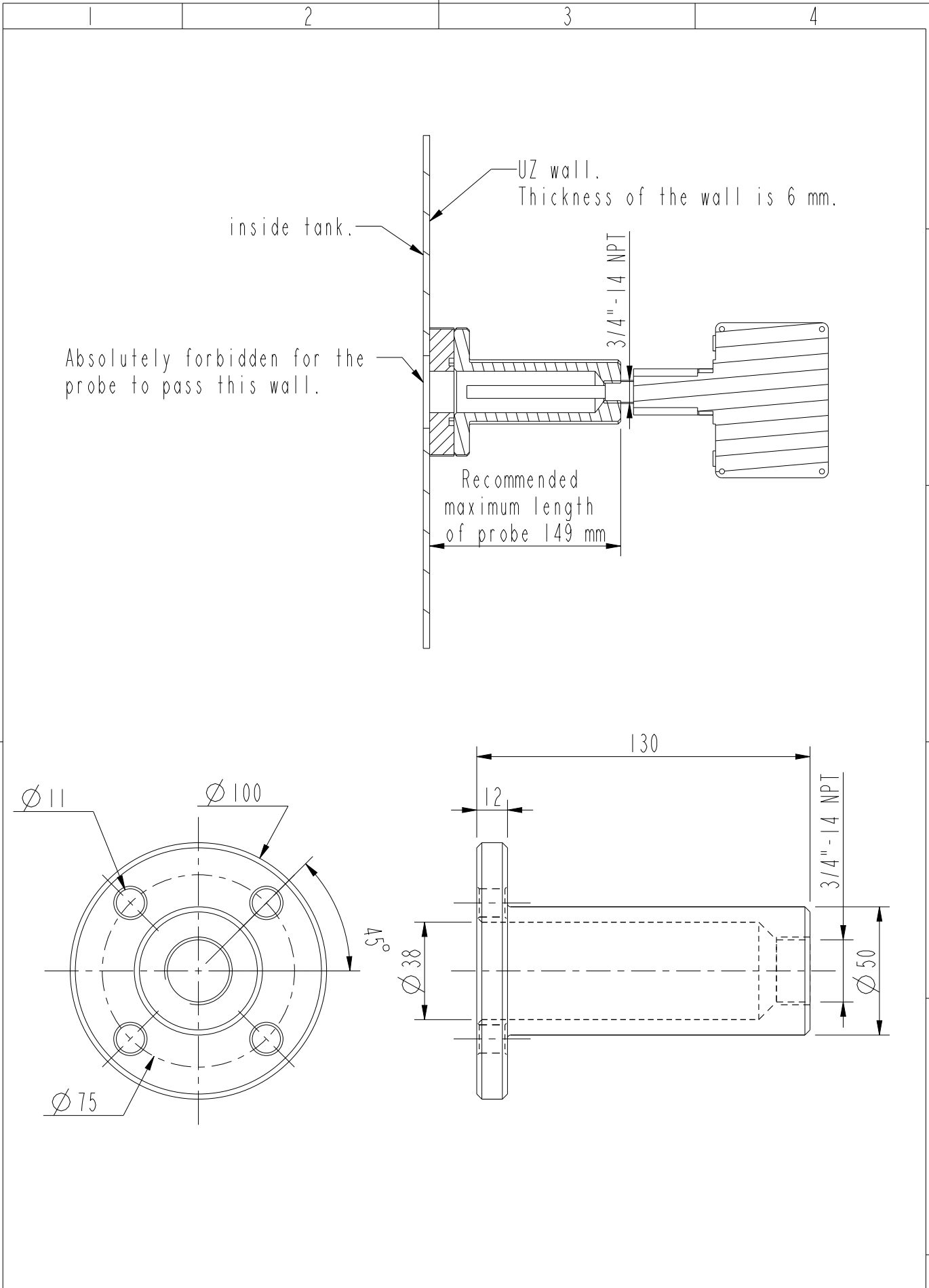


This document is issued by means of a computerized system. The digitally stored original is electronically approved. The approved document has a date entered in the 'Approved' -field. A manual signature is not required.

We reserve all rights in this document and in the information contained therein. Reproduction, use or disclosure to third parties without express authority is strictly forbidden. © Copyright 2015 ABB. All rights reserved.



Date / Approved 2015-12-14		Responsible department PPCO/TK		Document Kind DIMENSION DRAWING			
ABB		Title Thermoswitch housing UZ					
		Document Id. 54920083-27				Revision B	Language 82