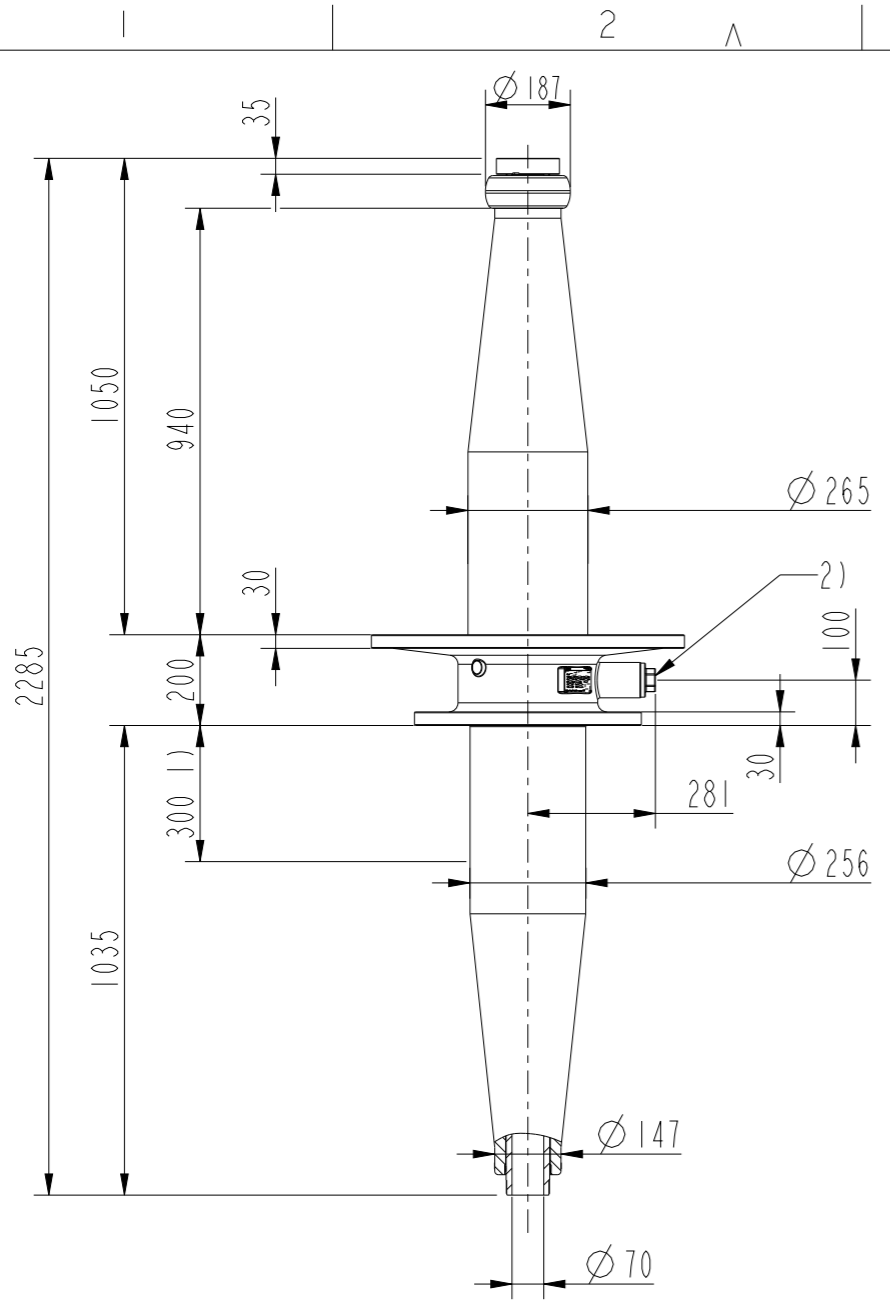


This document is issued by means of a computerized system. The digitally stored original is electronically approved. The approved document has a date entered in the "Approved"-field. A manual signature is not required.

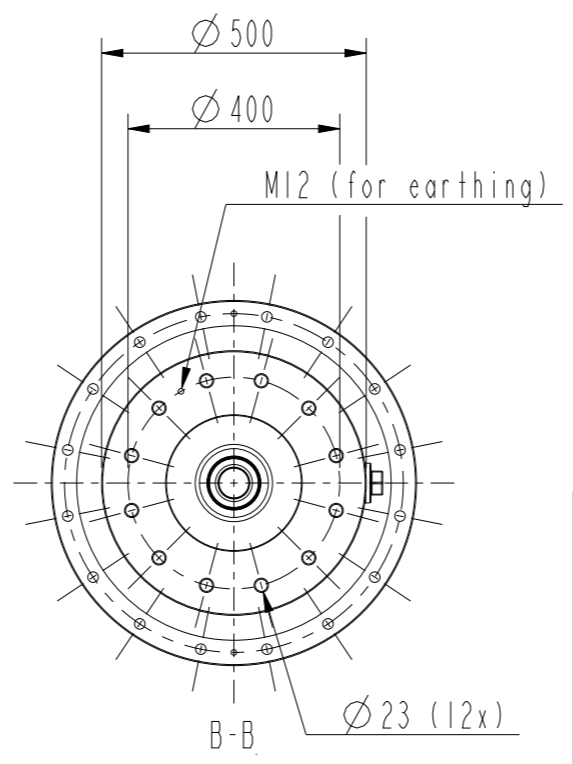
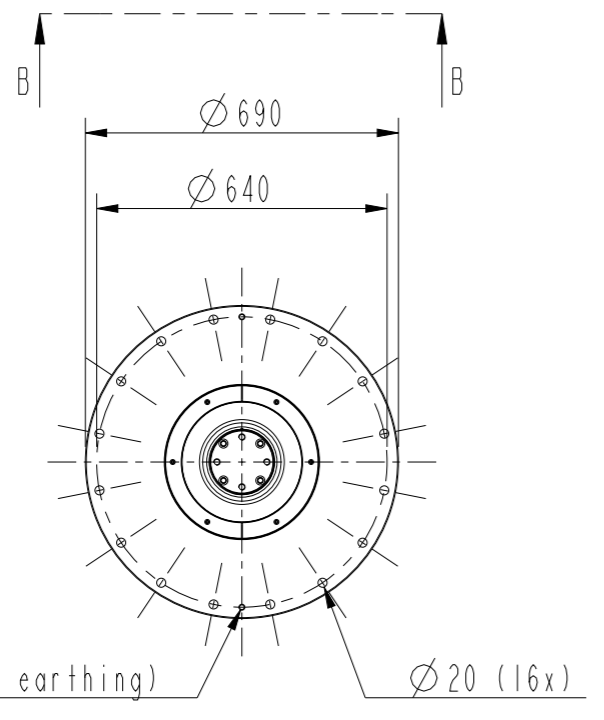
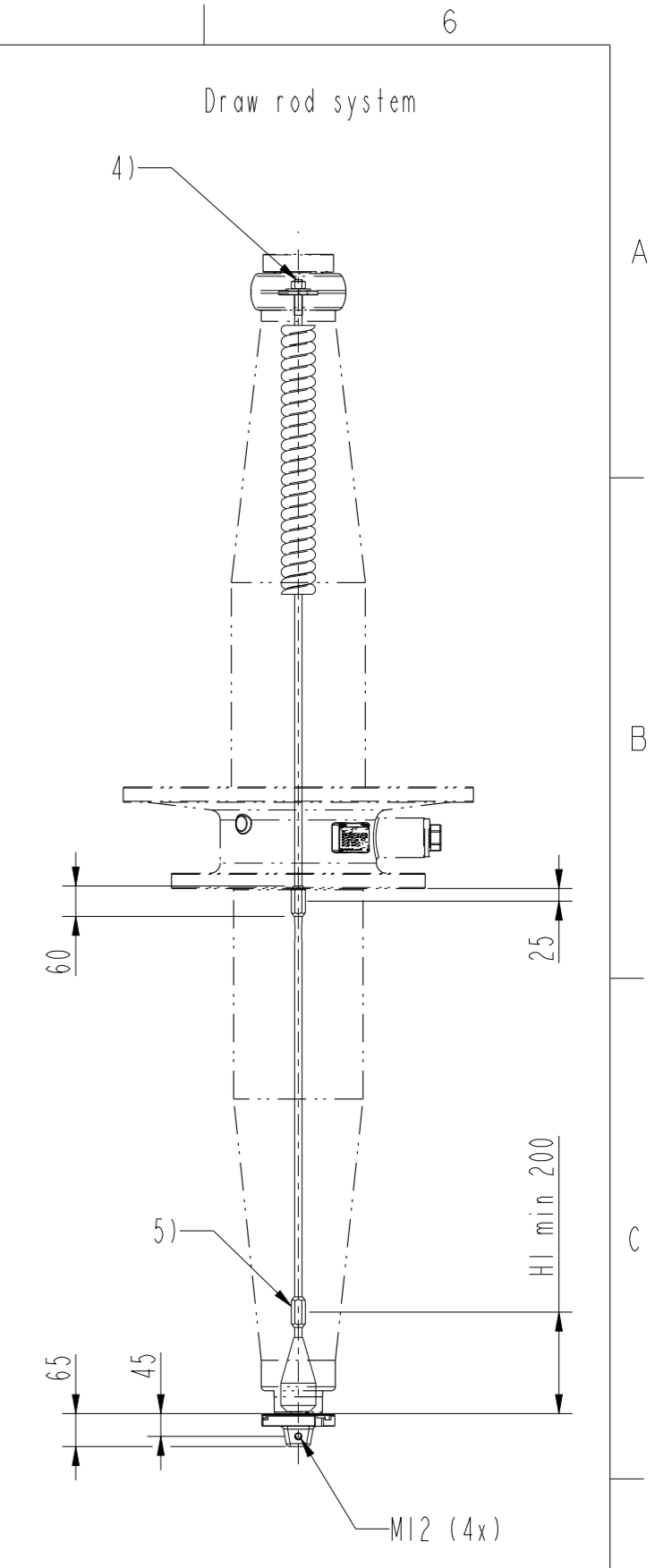
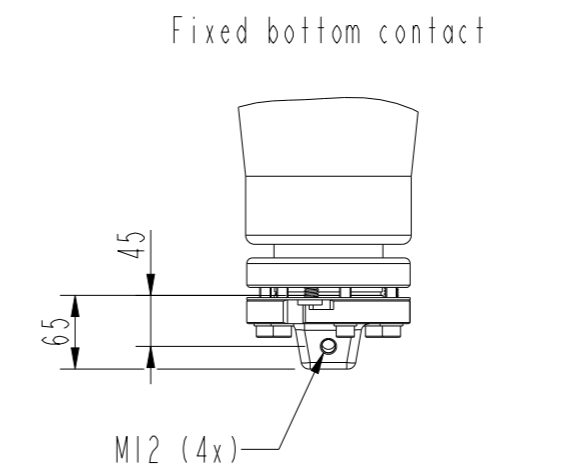
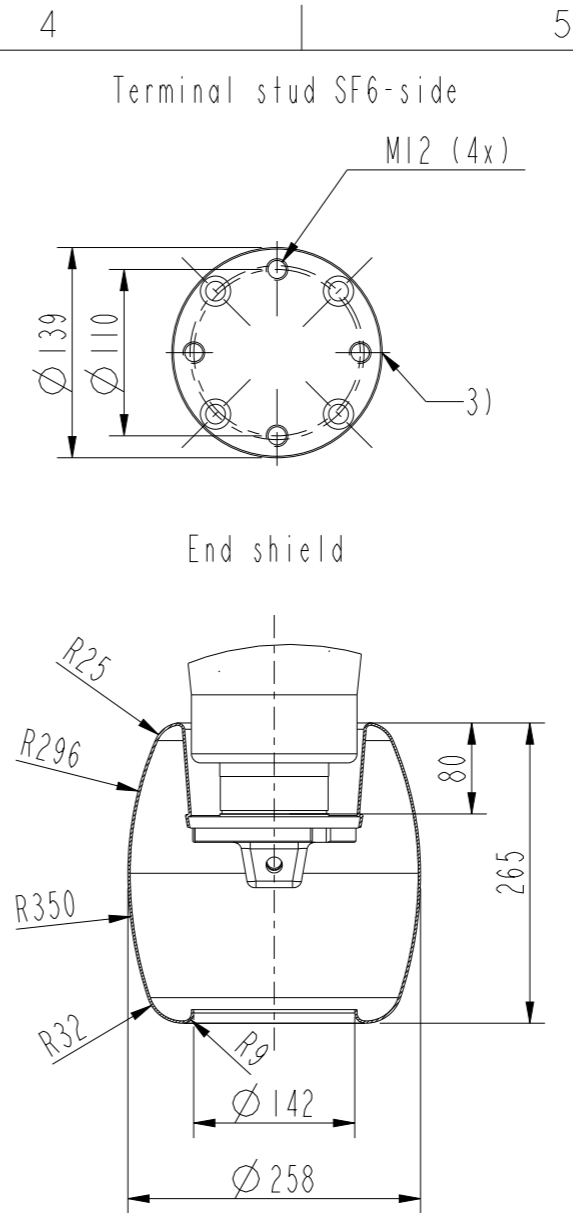
The information contained in this document has to be kept strictly confidential. Any unauthorized use, reproduction, distribution or disclosure to third parties are strictly forbidden. ABB reserves all rights regarding Intellectual Property Rights. © Copyright 2013 ABB. All rights reserved.



Bushing data:	
Rated voltage	362 kV
Phase-to-earth voltage	209 kV
Lightning impulse	1300 kV
Switching impulse	1050 kV
Routine test, 1 min 50 Hz	630 kV
Rated current	1600/2500 A
Mass	179/219 kg

Ordering data:	
Bushing	Conductor tube Rated current
IZSC900362-AAA Test tap	Al 1600 A
IZSC900362-ABA Voltage tap 6 kV	Al 1600 A
IZSC900362-ACA Test tap	Cu 2500 A
IZSC900362-ADA Voltage tap 6 kV	Cu 2500 A
Draw rod system	
IZSC999004	
Fixed bottom contact	
IZSC999002-AAE	
End shield	
IZSC999003-AEA Epoxy insulated	
IZSC999003-AEB Pressboard insulated	

- 1) Maximum length of CT.
- 2) Test tap / Voltage tap
- 3) Test tap / Voltage tap position.
- 4) Threaded hole M8 for pulling wire.
- 5) Additional joints on request.



Prepared	Jesper Jansson	2018-10-09	Responsible department	PGCO/BK	Title	Bushing GSBK 362/0.3
Modified by	Jesper Jansson	2018-11-07	Take over department			
Approved by	Johan X Eriksson	2018-11-07	Used in product		Genomföring GSBK 362/0.3	Language
Revision	D	Mass updated.			Order	82
ABB					Document no.	2753016-5
					Sheet no.	1
					No. Shis.	(1)