



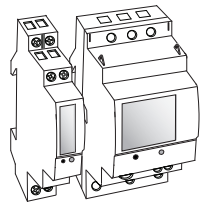
Warning! Installation by person with electrotechnical expertise only.

Warnung! Installation nur durch elektrotechnische Fachkraft.

Avvertenza! Fare installare solo da un elettricista qualificato.

Avertissement! Installation uniquement par des personnes qualifiées en électrotechnique.

Advertencia! La instalación deberá ser realizada únicamente por electricistas especializados.



### C11/C13 INSTALLATION MANUAL

2CMC486006M0201

Oct 2020

Rev D

For more information please contact

ABB SpA  
Via Dell'Industria, 18 20009 – Vittuone  
– Milano Italy  
Tel. +39 02 2415 0000

https://new.a.bb.com/low-voltage

© Copyright 2020 ABB SpA. All rights reserved.  
Specification subject to change without notice.



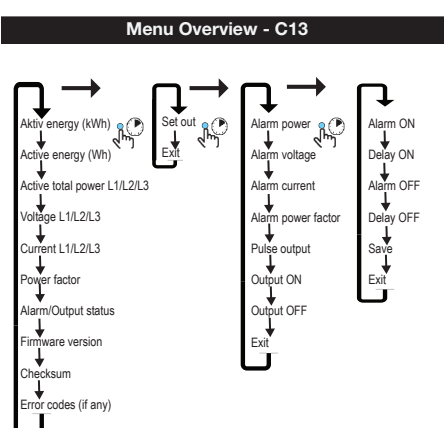
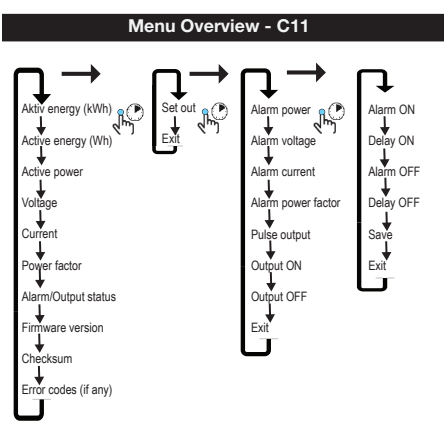
#### Mounting - C11

#### Mounting - C13

#### Connection - C11

#### Connection - C13

Button	Function
	Next (Short press) OK/Enter set mode (Long press)
	Short press < 1 sec
	Long press > 1 sec
	Screen is flashing

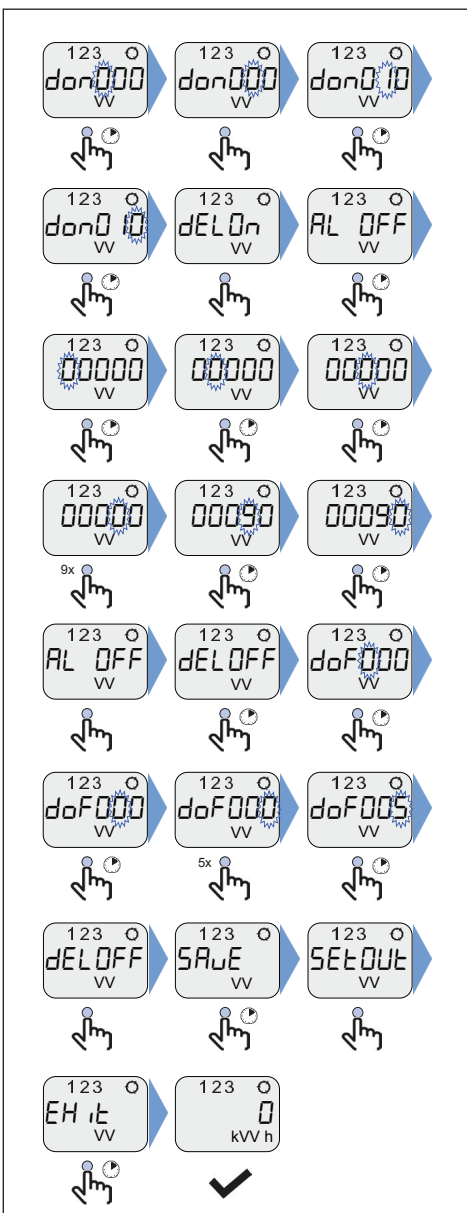
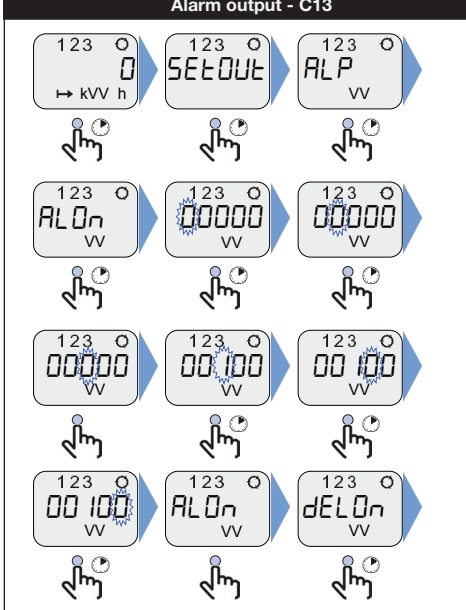
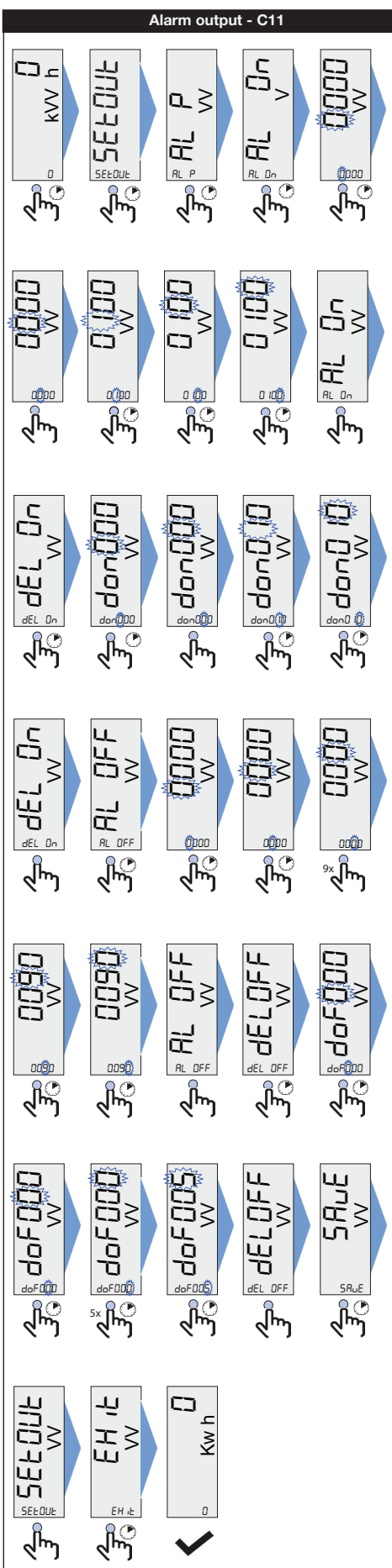


Description	Warning code
Voltage L1 Missing	1000
Negative Power L1	1004
Negative Total Power	1007
Frequency Warning	1008

Description	Warning code
Voltage L1 Missing	1000
Voltage L2 Missing	1001
Voltage L3 Missing	1002
Phase Connection Neutral Warning	1003
Negative Power L1	1004
Negative Power L2	1005
Negative Power L3	1006
Negative Total Power	1007
Frequency Warning	1008

### Basic settings

Example of configuring output to indicate alarm (turn output on) for power >= 100 W in >= 10 s. and and turn output off when power <= 90 W in >= 5 s.



### Technical data C11-C13

	C11	C13
<b>Voltage/current inputs</b>		
Nominal voltage	230 VAC	3x230/400 VAC
Voltage range	230 VAC	3x220/380...3x240/415V
Power dissipation voltage circuits	7.4 VA (0.3 W) at 230 V	1.5 VA (0.6 W) total at 230 V
Power dissipation current circuits	0.04 VA (0.04 W) at lb/lref	0.04 VA (0.04 W) per phase at lb/lref
Base current I <sub>b</sub>	5 A	5 A
Reference current I <sub>ref</sub>	5 A	5 A
Transitional current I <sub>t</sub>	0.5 A	0.5 A
Maximum current I <sub>max</sub>	40 A	40 A
Minimum current I <sub>min</sub>	0.25 A	0.25 A
Starting current I <sub>e</sub>	< 20 mA	< 20 mA
Terminal wire area	0.5-10 mm <sup>2</sup>	0.5-10 mm <sup>2</sup>
Recommended tightening torque	0.8 Nm	0.8 Nm
<b>General data</b>		
Frequency		50 or 60 Hz ± 5%
Accuracy		1% (Cl. 1, Cl. B)
Display of energy	6 digit LCD	7 digit LCD
<b>Mechanical</b>		
Material	Polycarbonate in transparent front glass and terminal cover. Glass reinforced polycarbonate in housing.	
Weight	73 g	190 g
<b>Environmental</b>		
Operating temperature	-25°C – +70°C	-25°C – +70°C
Storage temperature	-25°C – +85°C	
Humidity	75% yearly average, 95% on 30 days/year	
Resistance to fire and heat	Terminal block 960°C, terminal cover 650°C (IEC 60695-2-1)	
<b>Pulse output</b>		
Current	Max 100 mA	
Voltage	5-40 V DC	
Pulse frequency	Please Check Marking on the Meter	
Pulse width	100 ms	
Terminal wire area	0.5 - 10 mm <sup>2</sup>	
Recommended tightening torque	0.8 Nm	0.25 Nm
<b>Pulse indicator (LED)</b>		
Pulse frequency	1000 imp/kWh	
Pulse length	40 ms	
<b>EMC compatibility</b>		
Impulse voltage test	6 kV 1.2/50µs (IEC 60060-1)	
Surge voltage test	4 kV 1.2/50µs (IEC 61000-4-5)	
Fast transient burst test	4 kV (IEC 61000-4-4)	
Immunity to electromagnetic HF-fields	80 MHz - 2 GHz at 10 V/m (IEC 6100-4-3)	
Immunity to conducted disturbance	150 kHz - 80 MHz (IEC 61000-4-6)	
Immunity to electromagnetic disturbances	2-150 kHz for kWh-meters	
Radio frequency emission	EN 55022, class B (CISPR22)	
Electrostatic discharge	15 kV (IEC 61000-4-2)	
Standards	IEC 62052-11, IEC 62053-21 class 1, GB/T 17215.211-2008, GB/T 17215.321-2008 class 1 & 2, GB 4208-2008, EN 50470-1, EN 50470-3 category B	

