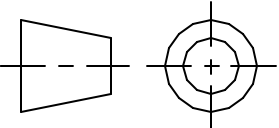


NOTES:

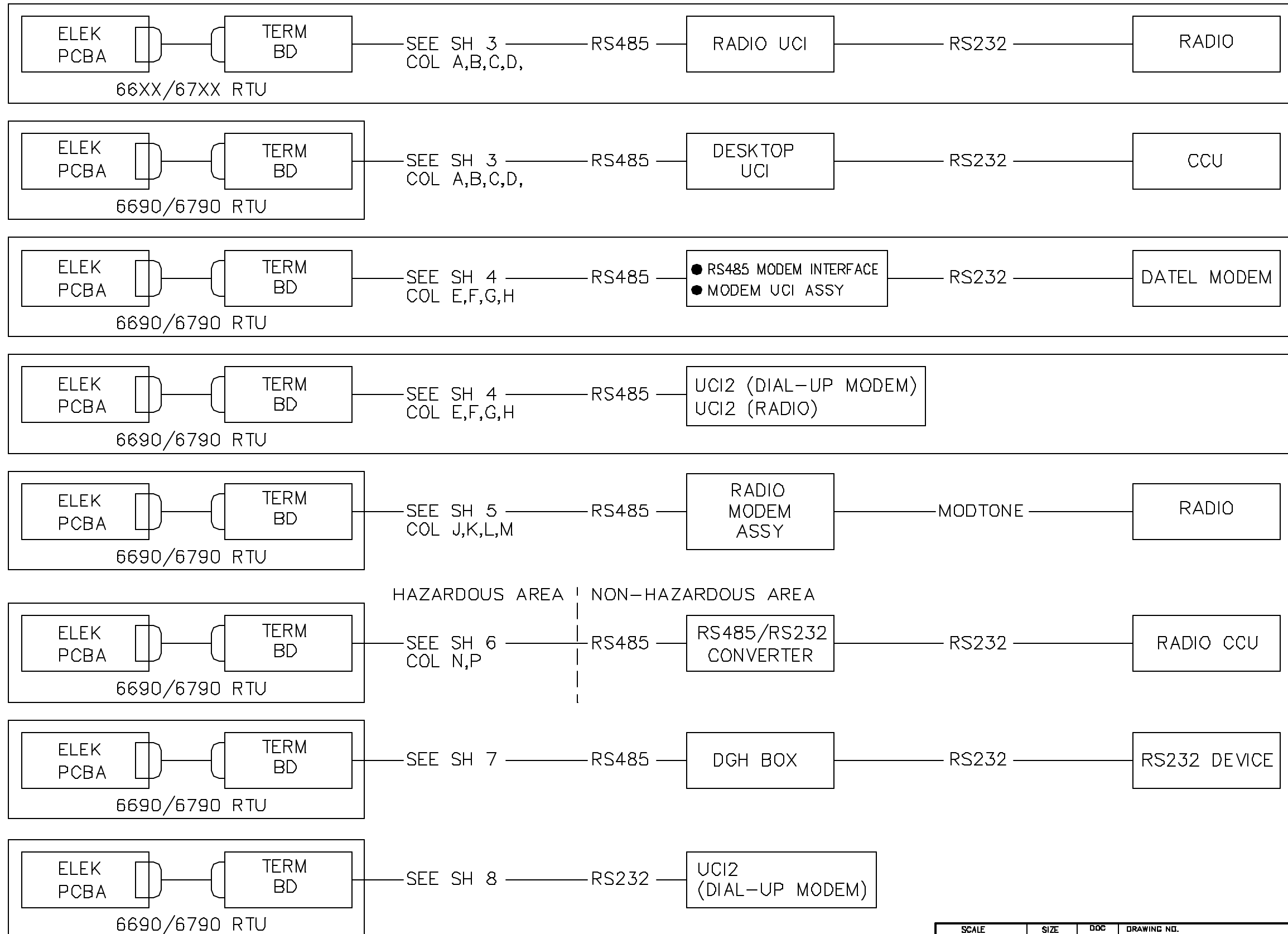
- 1 SWITCHED POWER OUT ON UCI -001 & -002 ONLY.
- 2 TERMINATION RESISTOR OR JUMPERS ON LAST UNIT ONLY.
- 3 GRA WIRE FOR CONTINUOUS POWER NOT NECESSARY FOR MODEM UCI ASSY. GRA WIRE NEEDED FOR RS485 MODEM INTERFACE.
- 4 POWER FOR BARRIER MUST ORIGINATE FROM NON-HAZARDOUS AREA.
- 5 NOT APPROVED FOR CERTIFICATION PURPOSE.
- 6. "REMOVED"
- 7. "REMOVED"
- 8. "REMOVED"
- 9 JUMPER NOT NEEDED ON RS485 MODEM INTERFACE
- 10 12 VOLTS VBATT (WHT WIRE) USED TO POWER COMM DEVICE SHOULD ONLY BE ATTACHED TO A SINGLE FCU AND NEVER DAISY CHAINED.
- 11 FACTORY ALWAYS WIRES UCI2 (DIAL-UP MODEM) FOR CONTINUOUS POWER UNLESS CUSTOMER SPECIFIES SWITCHED POWER. TO ENABLE FCU SCHEDULER, REMOVE JUMPER.

12. ALL UNUSED WIRES ARE TO BE BENT BACK AND TAPED SO SHORTING CANNOT OCCUR. NOT PERMISSIBLE TO HAVE ANY UNUSED EXPOSED WIRES.

REVISIONS					
REV	ACTION	DRAWN	CHECKED	APPROVED	DATE
AK	D10901	KASTNER	KASTNER	HOLLAND	01/03/05
AL	D11762	TIERNEY	TIERNEY	HOLLAND	01/08/08
AM	D13091	KASTNER	KASTNER	HOLLAND	02/03/13
AI	D9211	LANGBEIN	LANGBEIN	HOLLAND	99/12/21
AJ	D9912	KASTNER	KASTNER	HOLLAND	00/07/10

ASSEMBLY/QUANTITY	ITEM NO.	PART NUMBER	DESCRIPTION/MATERIAL	REFERENCE/ZONE DESIGNATOR	UNIT MEAS
PARTS LIST					
THIRD ANGLE PROJECTION 		UNLESS OTHERWISE SPECIFIED DIMENSIONS ARE IN INCHES TOLERANCES ARE: DECIMAL ANGULAR .XX ± --- ± --- .XXX ± ---		PRODUCT LINE TOTALFLOW®	
		BREAK ALL SHARP CORNERS AND EDGES DIMENSIONS APPLY BEFORE FINISH DO NOT SCALE DRAWING		LEVEL 3	
		DESIGN G. HOLLAND	DATE 94/1/6	ABB TOTALFLOW Products TITLE WIRING INTERCONNECT AIU/RTU TO COMM INTERFACE WI	
		DRAWN S. SMITH	93/12/7		
		CHECKED WIDENER	94/1/17		
		APPROVED G. HOLLAND	94/1/6	SCALE NONE	SIZE B
				DDC TYPE WI	DRAWING NO. 2015194
				REV AM	SHEET 1 OF 8

REFERENCE INDEX



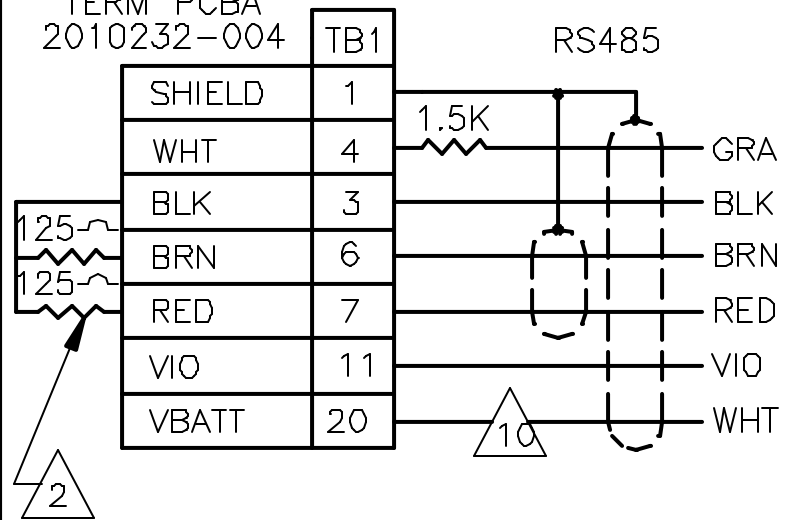
SCALE	SIZE	DOC TYPE	DRAWING NO.	REV	SHEET
NONE	B	WI	2015194	AM	2

66XX/6790 RTU

RTU PCBA

- 2011722 -002/004/006
- 2012692 -002/004/006

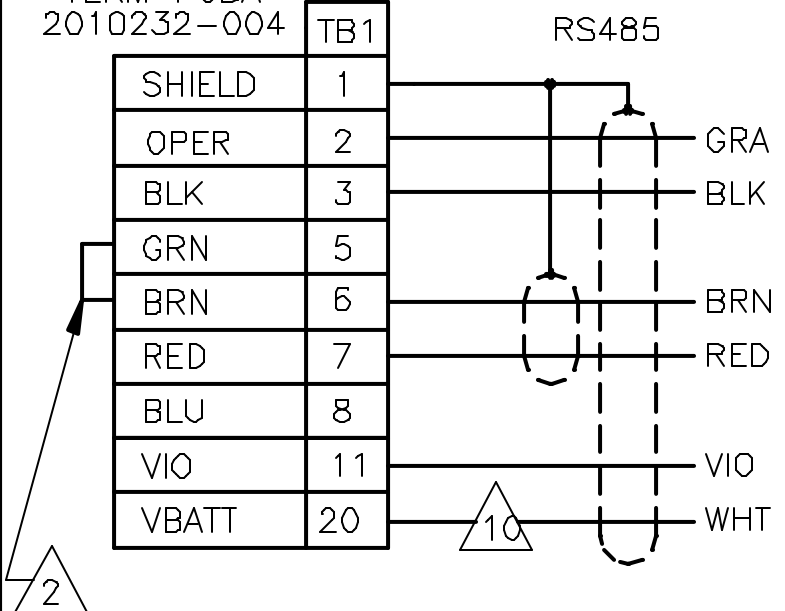
TERM PCBA
2010232-004



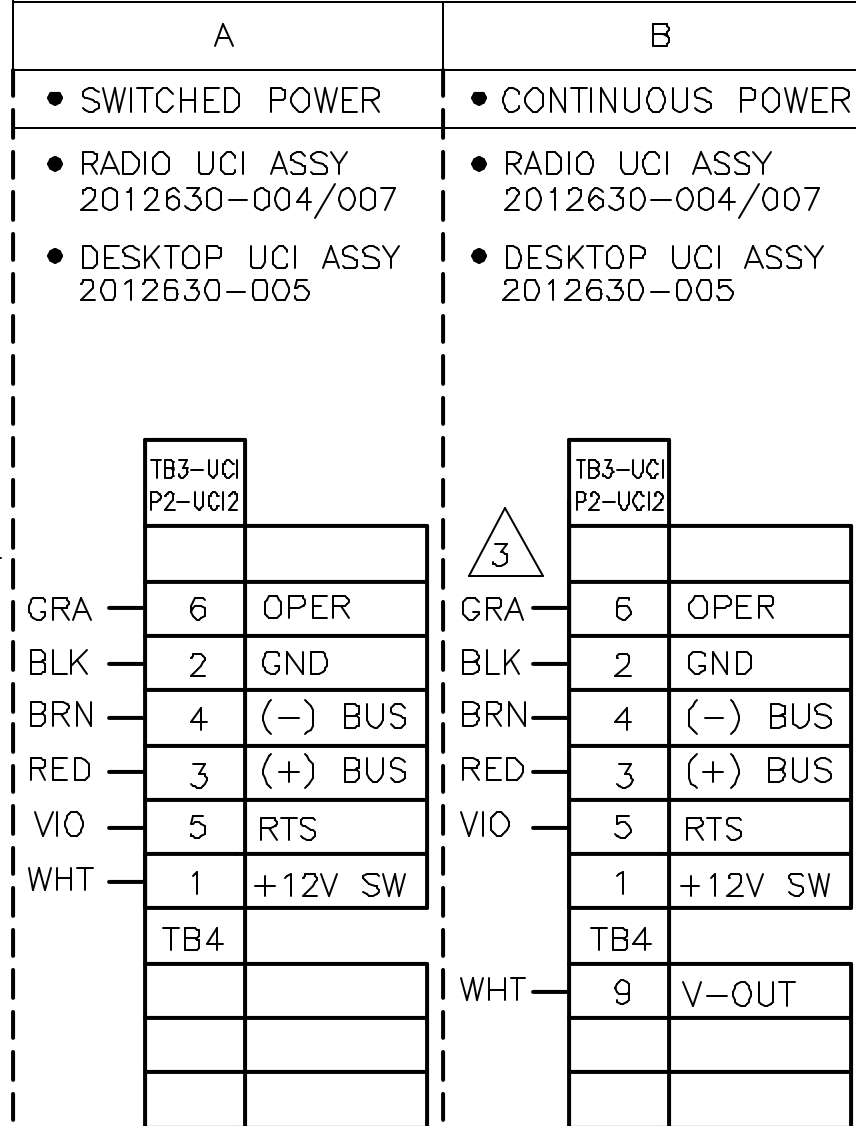
RTU BD

- 2015080 -001
- 2017245 -001

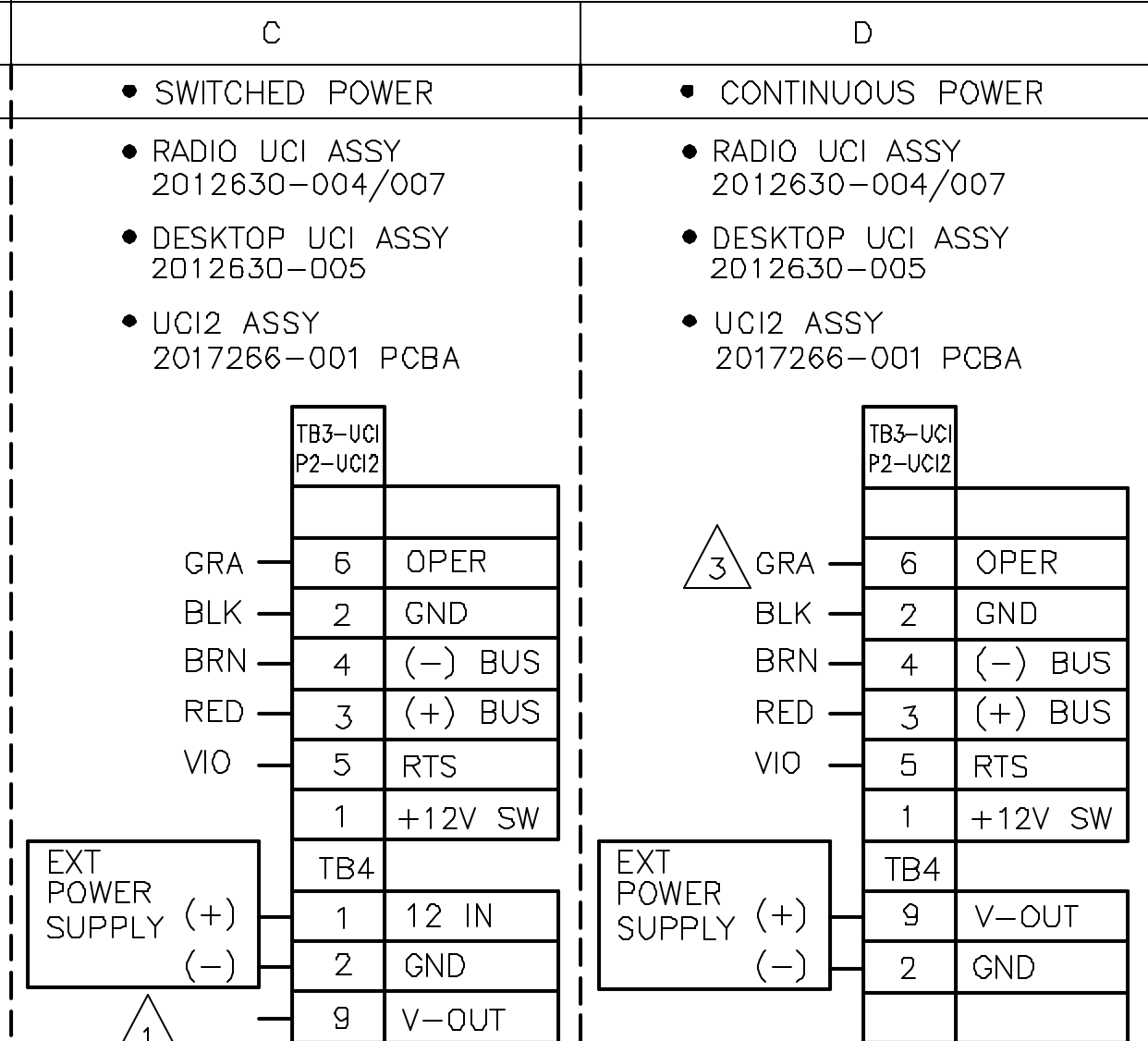
TERM PCBA
2010232-004



POWER FROM RTU



EXT POWER SUPPLY



66XX/6790 RTU

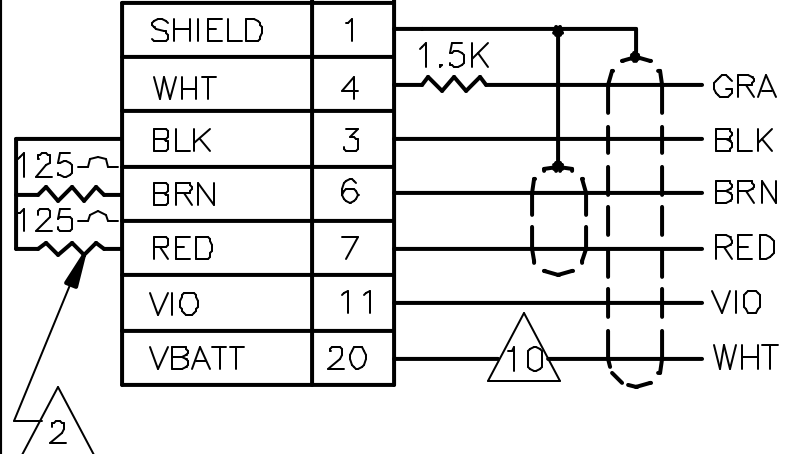
RTU PCBA

- 2011722 -002/004/006
- 2012692 -002/004/006

TERM PCBA
2010232-004

TB1	
SHIELD	1
WHT	4
BLK	3
BRN	6
RED	7
VIO	11
VBATT	20

RS485



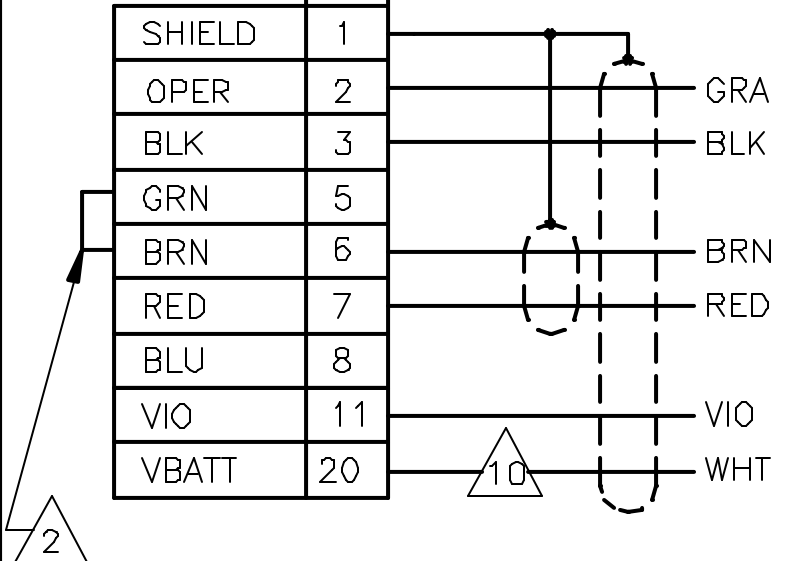
RTU BD

- 2015080 -001
- 2017245 -001

TERM PCBA
2010232-004

TB1	
SHIELD	1
OPER	2
BLK	3
GRN	5
BRN	6
RED	7
BLU	8
VIO	11
VBATT	20

RS485

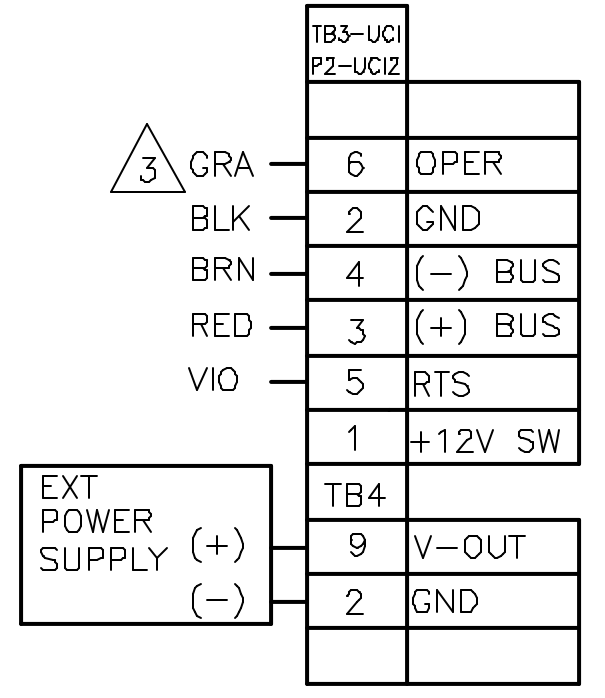
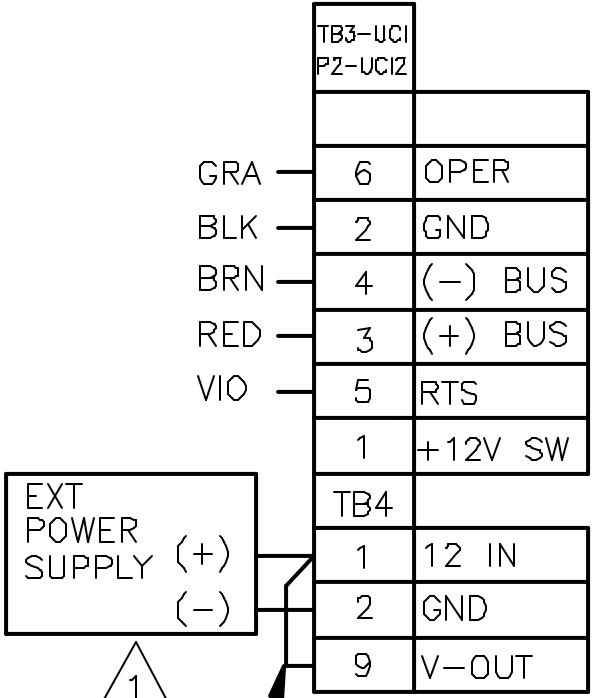
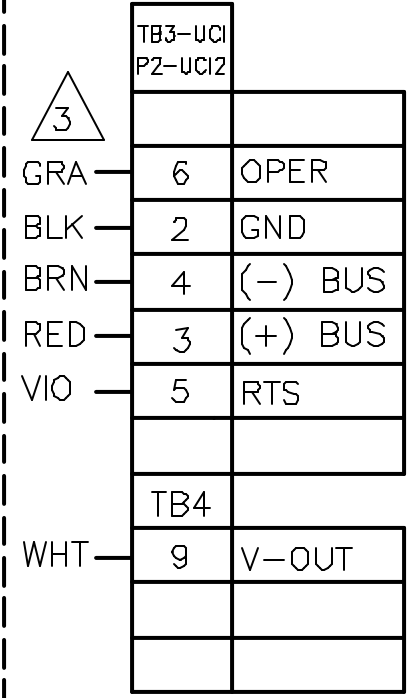
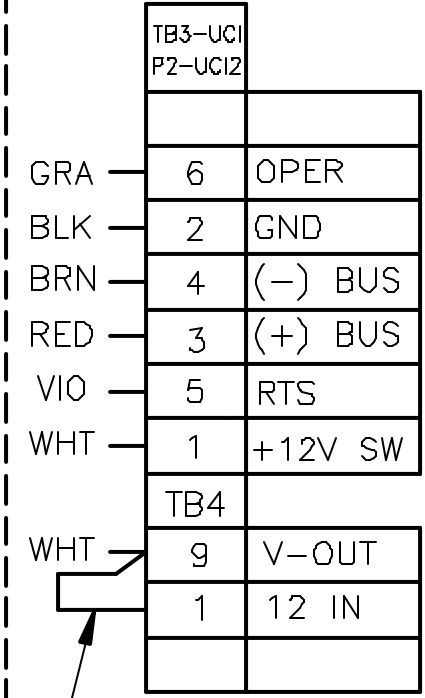


POWER FROM RTU

EXT POWER SUPPLY

E		F		G		H	
• SWITCHED POWER		• CONTINUOUS POWER		• SWITCHED POWER		• CONTINUOUS POWER	

- RS485 MODEM INTERFACE 2017273-001
- MODEM UCI ASSY 2012630-006/008
- UCI2 (DIAL-UP MODEM) 2018323-001/002 2017379-001/002
- UCI2 ASSY 2017266-001 PCBA

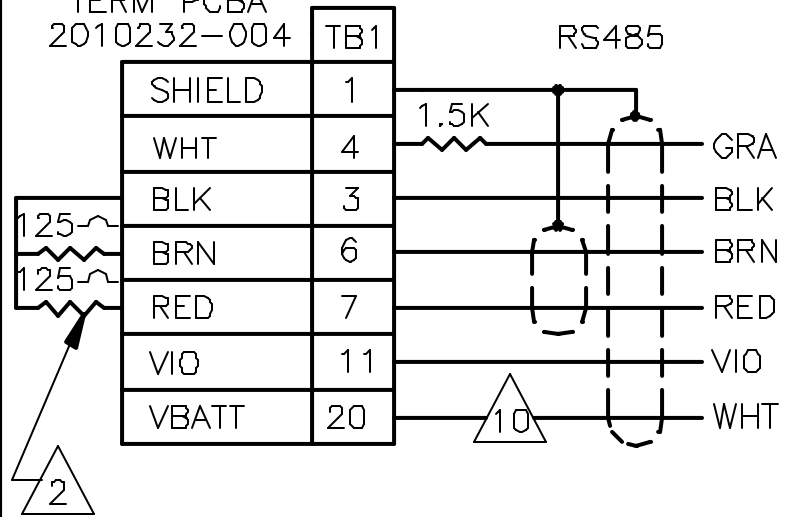


66XX/6790 RTU

RTU PCBA

- 2011722 -002/004/006
- 2012692 -002/004/006

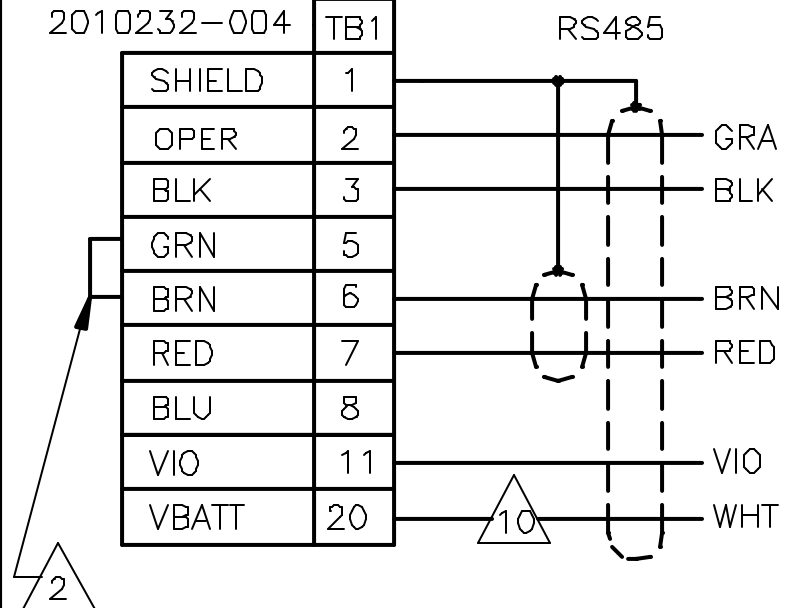
TERM PCBA
2010232-004



RTU BD

- 2015080 -001
- 2017245 -001

TERM PCBA
2010232-004



POWER FROM RTU

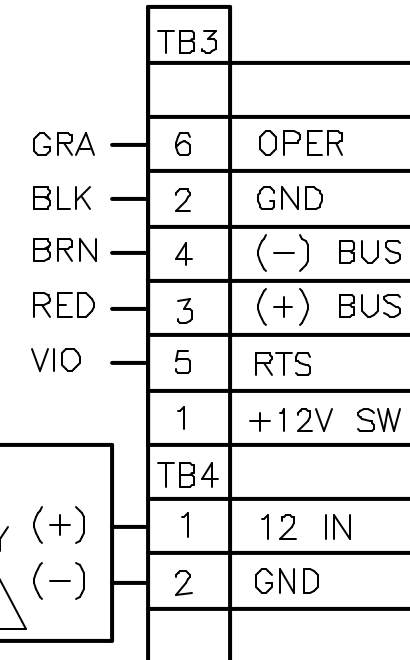
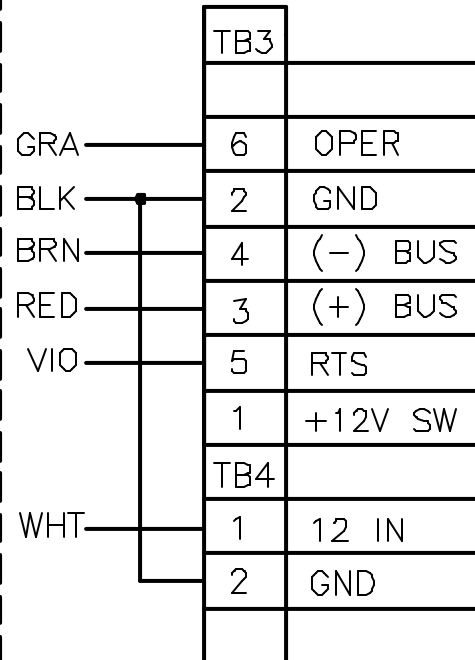
EXT POWER SUPPLY

N

P

RS485/RS232 CONV $\triangle 5$
2011982-003/004

RS485/RS232 CONV
2011982-003/004



66XX/6790 RTU

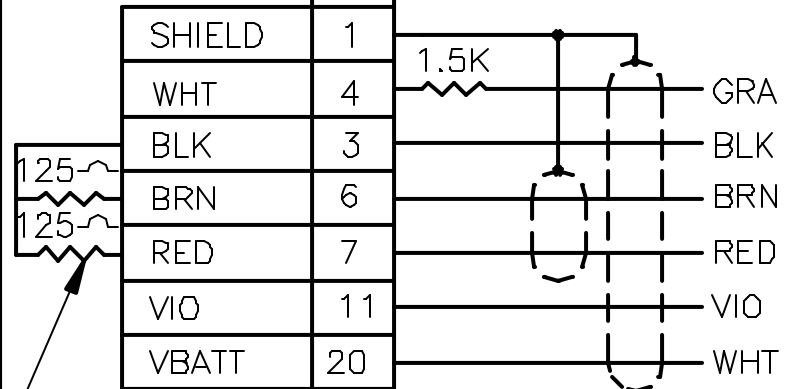
RTU PCBA

- 2011722 -002/004/006
- 2012692 -002/004/006

TERM PCBA
2010232-004

TB1

RS485



2

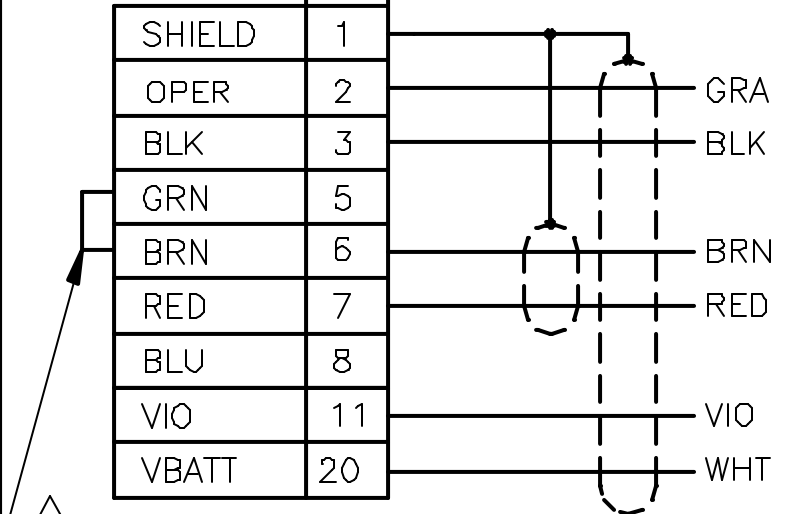
RTU BD

- 2015080 -001
- 2017245 -001

TERM PCBA
2010232-004

TB1

RS485



2

POWER FROM RTU

EXT POWER SUPPLY

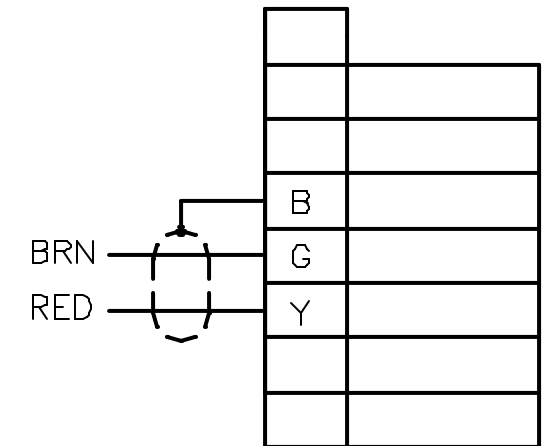
SWITCHED POWER

CONTINUOUS POWER

SWITCHED POWER

CONTINUOUS POWER

DGH BOX (DGH-A-1100)



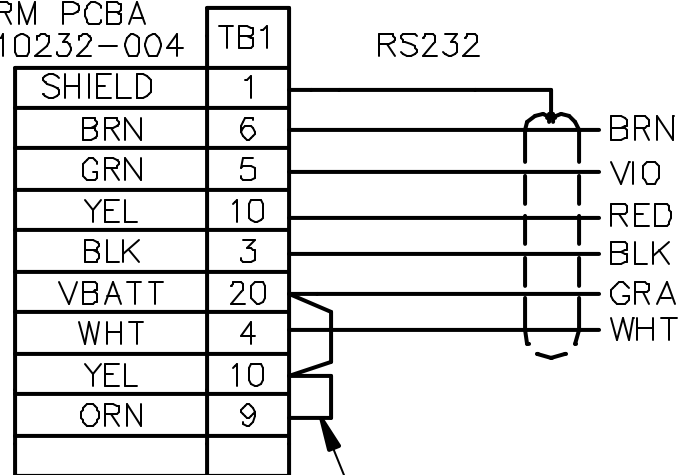
SCALE	SIZE	DOC TYPE	DRAWING NO.	REV	SHEET
NONE	B	WI	2015194	AM	7

66XX/6790 RTU

RTU PCBA

- 2011722-001/003/005
- 2012692-001/003/005
- 2015080-002
- 2017245-002

TERM PCBA
2010232-004



JUMPER
2 REQ'D
2011753-001

