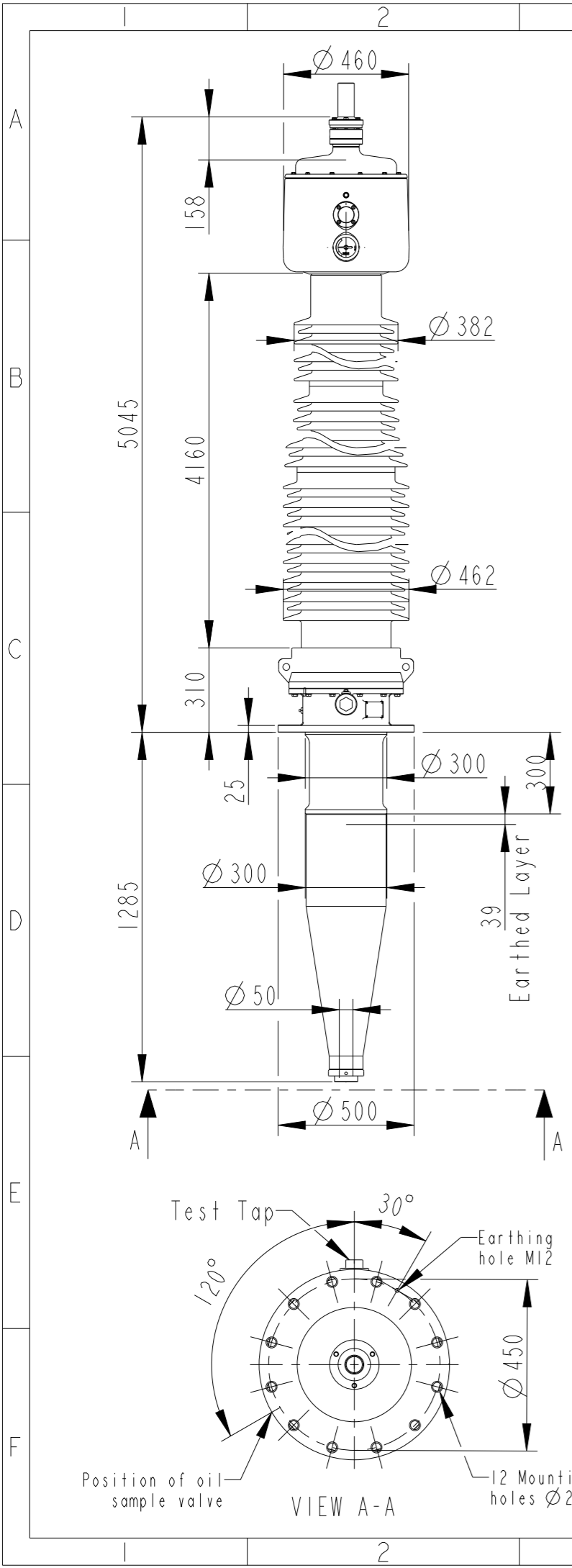


This document is issued by means of a computerized system. The digitally stored original is electronically approved. The approved document has a date entered in the "Approved"-field. A manual signature is not required.

We reserve all rights in this document and in the information contained therein. Reproduction, use or disclosure to third parties without express authority is strictly forbidden. © 2022 Hitachi Energy.



Bushing Data:

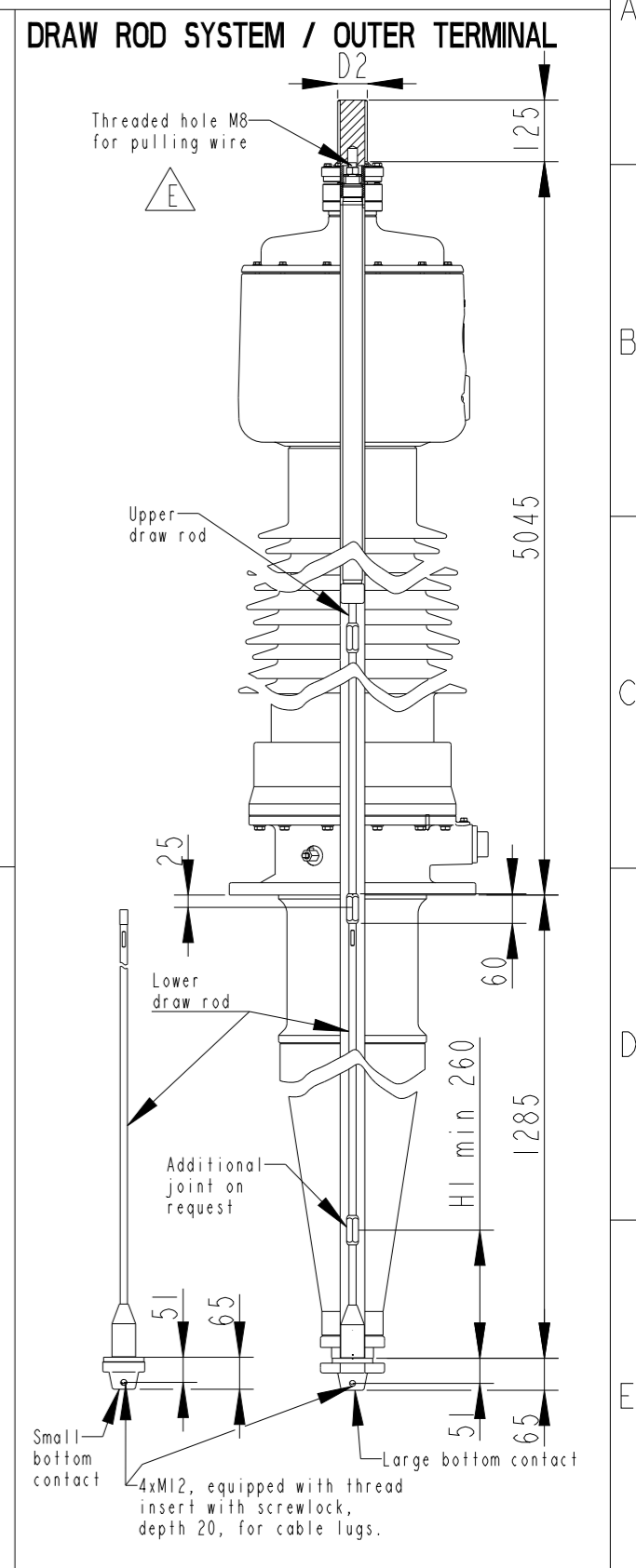
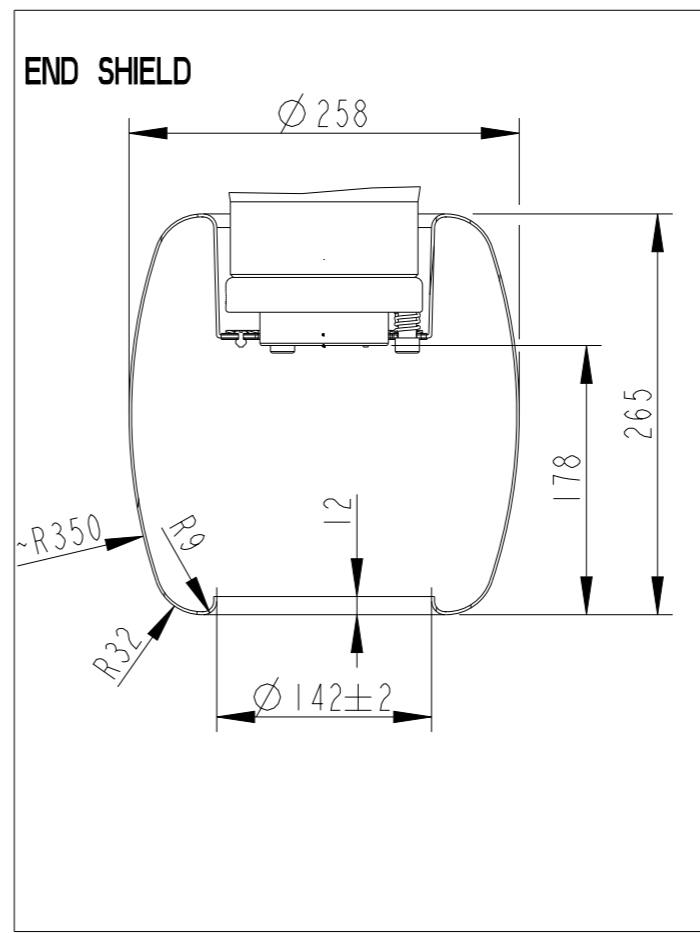
Rated Voltage	550 kV
Phase to-earth Voltage	318 kV
Dry Lightning Impulse 1,2/50µs	1550 kV
Wet Switching Impulse	1175 kV
Wet Power frequency AC	N.A kV
Routine test 1min dry 50Hz	750 kV
Rated Current	1600 A
Creepage Distance Nominal	15200 mm
Creepage Distance Minimum	14850 mm
Mass	1093 kg

Ordering Data:

BUSHING	COLOUR AIR INSULATOR	
IZSC903550-AAA	Brown	
DRAW ROD SYSTEM		
LF170 097	UPPER DRAW ROD	
LF170 098	LOWER DRAW ROD	
OUTER TERMINAL	Material	D2 (mm)
LF170 090-A	Al	Ø 30
LF170 090-B	Al	Ø 60
LF170 090-C	Cu	Ø 30
LF170 090-E	Cu	Ø 60
LF170 090-G	Cu/Ag	2"-12UN
END-SHIELD		
LF170 092-K	Epoxy insulated	
LF170 092-L	Insulated with 3mm pressboard	

Ludvika, Sweden					
No.					
Um/Uy	kV	Ir	A	50/60 Hz	
BIL	kV	SIL	kV	AC	kV
M	kg	L	mm	✓	°
C1	pF	Tan δ		x	
C2	pF	Tan δ		x	

Revision	Revision text
E	Inner terminal details removed & mass updated.



CREATED BY Dhanasekar P	CREATED ON 2022-09-16	APPROVED BY Natalia Gutman	APPROVED ON 2022-12-06
DOCUMENT KIND Dimension Drawing	TITLE / SUPPLEMENTARY TITLE GOE(2) 1550-1175-1600-0,3		
RESPONSIBLE DEPARTMENT SEABB-9AAE300824	GOE(2) 1550-1175-1600-0,3		
RESPONSIBLE COMPANY Hitachi Energy Sweden AB	DOCUMENT ID 2751369-334	STATUS Approved	REVISION E
		SHEET 1/1	