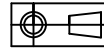


DRAWING NUMBER
NPWD082B

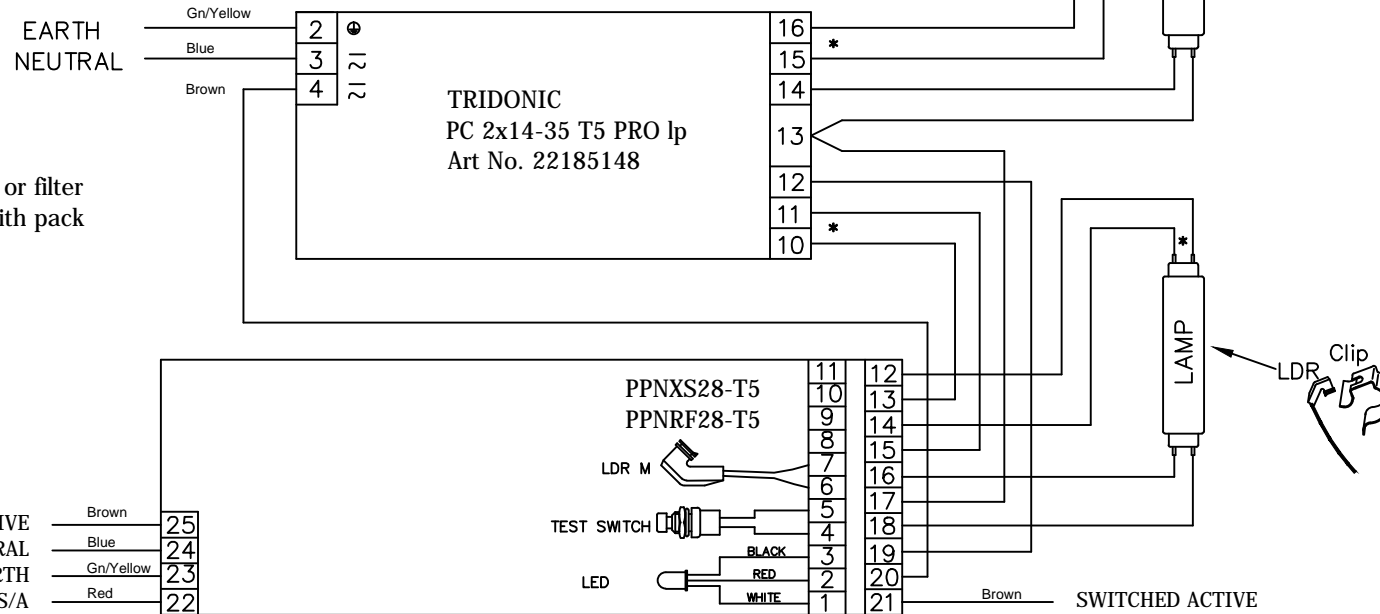
DO NOT SCALE



ISS	DATE	CHANGE	APPROVAL	ZONE
A	02/04/2013	ORIGINAL ISSUE		
B	05/08/2016	NEW TEMPLATE		

* WIRE LENGTH SHORT AS MARKED ON THE BALLAST

EMC filter connections
are, as per the product sample or filter
connection diagram supplied with pack



NOTES:

1. Wiring status: Draft - Not tested. The ballast / power pack combination has not been wired up and tested to confirm functional compatibility.
2. This wiring diagram is provided in good faith and the best of our knowledge at the time of publication. Thomas and Betts does not give any warranty or representation as to the accuracy, reliability or completeness of the information. Thomas and Betts shall not be liable for any loss or damage arising in any way from or in connection with any information provided or omitted, or from anyone acting or refraining to act in reliance on this information.
3. Changes to ballast specification by the manufacturer are beyond our control and may cause adverse effect on the performance, EMC issue and compatibility issue. Consult Thomas and Betts for further advise.

DRAWN	G.K.Grover	Thomas & Betts <small>A Member of the ABB Group</small> ABN 62074810898 23A NYRANG ST, LIDCOMBE NSW 2141 AUSTRALIA		
CHECKED	-----	TITLE Wiring diagram PPNXS28-T5 with TRIDONIC Art No. 22185148 for Lightscope Davis AWF228T5CP 2x28W WP		
APPROVED	G.K.Grover	USED ON	DRAWING NUMBER	SHEET SIZE
DATE:	08/07/14		NPWD082B	A3
DRAWING STD AS 1100		SCALE N.T.S.	SHEET 1 OF 1	