

ENERGY-DISTRIBUTION

TwinLine N 44

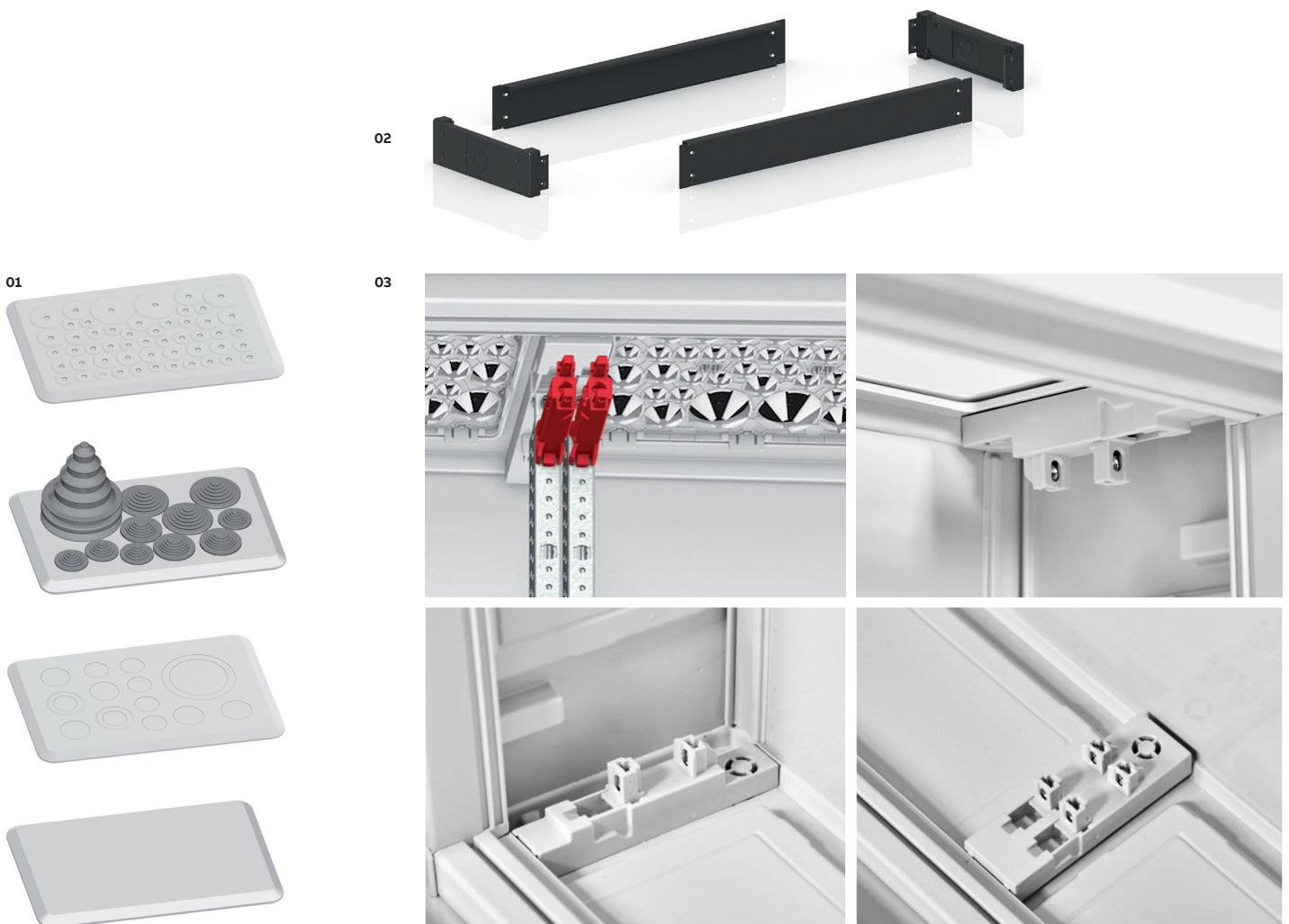
The new system of floor-standing cabinets in IP44



PRODUCT BENEFITS

The new system of floor-standing cabinets in IP44

With TwinLine N 44 ABB STRIEBEL & JOHN presents the new entry model of the TwinLine series. The new TwinLine N 44 floor-standing cabinets are prepared for the configuration with EDF mounting frame and are largely based on the known accessories and system parts. These floor-standing cabinets are optimized for a flexible power distribution use up to IP44 and are available in the panel widths 1 to 5 with a depth of 225 mm earthed and double insulation.





—
01 Significantly more usable area for cable entry. Innovative flange technology with tool-free installation:
 · Membrane flanges
 · Flanges for M screw fittings
 · Flange with cable sleeves
 · Closing flanges

—
02 Time-saving plinth installation and safe transport.

—
03 Holders for internal configurations with CombiLine N modules on EDS mounting frame.

—
04 Optimal accessibility and ease of installation thanks to 180 degree door opening angle.

Product benefits

- Innovative flange technology
- Significantly more usable area for cable entry
- All flanges are compatible with all flange openings and knockouts within the entire TwinLine system
- Flexible internal configuration with CombiLine N modules
- Optimal accessibility and ease of installation thanks to 180 degree door opening angle
- Time-saving plinth assembly and safe transport
- Simplified accessories concept for reduced inventory levels
- Speedy and concise planning and calculations with the PDC software

Technical specifications and product features

Technical specifications for TwinLine-H	
Standards / requirements	According to DIN EN 61439-1/-2/-3, DIN VDE 0660-600-1/-2/-3*
Protection class	I, earthed
	II, double insulated
Degree of protection	With door IP44
	Without door IP30, for a configuration as meter distribution board,
	With distribution board panels, combination sets or CombiLine N modules
Mechanical impact strength	IK 08 for the cabinet enclosure with sheet steel door
	IK 07 in the area of the flange knockouts
	Conditions of installation indoor installation
	Ambient air temperature max. + 40°C
	Ambient air temperature min. - 5°C
	Operating temperature max. + 55°C
	Storage temperature max. + 55°C
	Storage temperature min. - 40°C
Product features for TwinLine-H	
Housing and door material	Sheet steel, RAL 7035, powder-coated
	One flange opening per panel width at the top; knockouts are provided at the bottom
	Door opening angle: 180 degree
	Double-wing doors in all cabinets of a width of 4 panels and more
	Doors with espagnolette closure
	Standard lock: 3 mm double bit
Assembly options*	Prepared to be fitted with distribution board panels, combination sets or CombiLine N modules on EDF mounting frame
Forms of delivery	Enclosure with door
	External mounting brackets included in the scope of delivery
	Supporting elements per panel width are included in the scope of delivery
	The touch guard is included in the scope of delivery
	The center support rail is included in the scope of delivery
Accessories	Flanges must be ordered separately
	Plinths must be ordered separately

* The allowed heating for switchgear assemblies above 630 A rated current can be evidenced by the process according to section 10.10.4.2. The required values of the Verlustleistungs-Abgabevermögens entnehmen Sie bitte den Tabellen siehe auf Seite 14; Above 630 A rated current the process according to 10.10.4.3 (IEC 60890) must be applied;

TwinLine-H, cabinet depth 225 mm, \perp \square

Height		Width		External dimensions	Floor-standing cabinets with door IP44		
GU	OH	PW	SU	H x W in mm	Type	Art no.	Price
TwinLine-H, cabinet depth 225 mm, \perp							
12	8	1	144	1850 x 300	TH112G	2CPX010948R9999	
		2	288	1850 x 550	TH212G	2CPX010950R9999	
		3	432	1850 x 800	TH312G	2CPX010952R9999	
		4	576	1850 x 1050	TH412G	2CPX010954R9999	
		5	720	1850 x 1300	TH512G	2CPX010957R9999	
TwinLine-H, cabinet depth 225 mm, \square							
12	8	1	144	1850 x 300	TH112S	2CPX010949R9999	
		2	288	1850 x 550	TH212S	2CPX010951R9999	
		3	432	1850 x 800	TH312S	2CPX010953R9999	
		4	576	1850 x 1050	TH412S	2CPX010955R9999	
		5	720	1850 x 1300	TH512S	2CPX010958R9999	



TH312G

Included in the scope of delivery

- External mounting brackets
- Supports for an extension with EDF mounting frame
- Center support rail
- Touch guard

Accessories must be ordered separately

- Flanges
- Plinth

Flanges



TZ101



TZ102



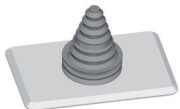
TZ103



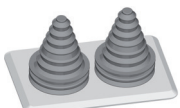
TZ110



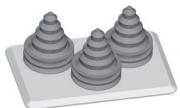
TZ111



TZ112



TZ104



TZ105



TZ107



TZ106

Article	Pcs.	Type	Ord. no.	Price
Membrane flange	1	TZ101	2CPX010450R9999	
Material plastic for cable sections	10	TZ101P10	2CPX010451R9999	
2 x 6 - 32.5 mm, 2 x 6 - 25 mm, 4 x 6 - 19 mm, 10 x 6 - 15 mm, 2 x 6 - 12 mm, 31 x 6 - 11 mm, 1 x 6 - 7 mm	100	TZ101P100	2CPX010826R9999	
Flanges for M screw fittings				
Material plastic	1	TZ102	2CPX010452R9999	
1 x M63 / M50, 2 x M32 / M20, 5 x M25, 5 x M20	10	TZ102P10	2CPX010453R9999	
Flanges for M screw fittings				
4 x M20 / M25, 18 x M20	1	TZ103	2CPX010454R9999	
	10	TZ103P10	2CPX010455R9999	
Flange with cable sleeves				
Material: plastic	1	TZ110	2CPX010850R9999	
Flange with 8 cable sleeves For cable sections 8 x 13 up to 34 mm	10	TZ110P10	2CPX010934R9999	
Flange with 11 cable sleeves				
For cable sections 1 x 14 up to 54 mm, 3 x 13 up to 34 mm, 3 x 13 up to 26.5 mm, 4 x 5 up to 21 mm	1	TZ111	2CPX010851R9999	
	10	TZ111P10	2CPX010935R9999	
Flange with 1 cable sleeve				
For cable sections 1 x 14 up to 68 mm	1	TZ112	2CPX010852R9999	
Flange with 2 cable sleeves				
For cable sections 2 x 14 up to 68 mm	1	TZ104	2CPX010456R9999	
	10	TZ104P10	2CPX010932R9999	
Flange with 3 cable sleeves				
For cable sections 3 x 14 up to 54 mm	1	TZ105	2CPX010457R9999	
	10	TZ105P10	2CPX010933R9999	
Closing flanges				
Material: plastic	1	TZ107	2CPX010460R9999	
	10	TZ107P10	2CPX010461R9999	
Material sheet steel				
For earthed cabinets	1	TZ106	2CPX010458R9999	
	10	TZ106P10	2CPX010459R9999	

Plinth



TZG305

Article	Depth		Width		Pcs.	Type	Ord. no.	Price
	mm	PW	mm	mm				
Plinth, height 50 mm, colour RAL 9005 For TwinLine-H*	225	1	300		1	TZG105	2CPX010571R9999	
	225	2	550		1	TZG205	2CPX010573R9999	
	225	3	800		1	TZG305	2CPX010575R9999	
	225	4	1050		1	TZG405	2CPX010577R9999	
	225	5	1300		1	TZG505	2CPX010579R9999	



TZG310

Plinth, height 100 mm, colour RAL 9005 For TwinLine-H* Lateral knock-outs 1 x M32/M50 or 80 x 80 mm	225	1	300		1	TZG110	2CPX010572R9999	
	225	2	550		1	TZG210	2CPX010574R9999	
	225	3	800		1	TZG310	2CPX010576R9999	
	225	4	1050		1	TZG410	2CPX010578R9999	
	225	5	1300		1	TZG510	2CPX010580R9999	



TZ627P2

Plinth bracket To fasten the plinth from the outside to the cabinet for plinth heights of 50 and 100 mm					2	TZ627P2	2CPX010853R9999	
--	--	--	--	--	---	---------	-----------------	--



TZ323

Cable fastening rail For plinth, height 100 mm	1	250			1	TZ321	2CPX010473R9999	
	2	500			1	TZ322	2CPX010474R9999	
	3	750			1	TZ323	2CPX010475R9999	
	4	1000			1	TZ324	2CPX010476R9999	
	5	1250			1	TZ325	2CPX010477R9999	



ZK143

Clamp for cable fastening rail	22 - 28 mm				1	ZK143	2CPX060005R9999	
	40 - 46 mm				1	ZK144	2CPX060006R9999	
	64 - 70 mm				1	ZK145	2CPX060007R9999	

* From 4-panel cabinets on, an additional one is included in the scope of delivery

Lock replacement parts



TZ507

TZ508



ZH130

ZH132



ZH134

ZH137



TZ503

TZ504



TZ505

TZ506



TZ510



ZH142

Article	Pcs.	Type	Ord. no.	Price
Latch plates for operating pins				
3 mm (standard)* 5 mm (similar to RAL 9005)	1	TZ507	2CPX010491R9999	
For triangular and square operating pin and for Daimler Benz insert	1	TZ508	2CPX010492R9999	
Operating pins				
Double-bit, 3 mm*	1	ZH130	2CPX060490R9999	
Double bit 5 mm	1	ZH131	2CPX060491R9999	
Triangular 7 mm	1	ZH132	2CPX060492R9999	
Triangular 8 mm	1	ZH133	2CPX060493R9999	
Square 6 mm	1	ZH134	2CPX060494R9999	
Square 7 mm	1	ZH135	2CPX060495R9999	
Square 8 mm	1	ZH136	2CPX060496R9999	
Daimler-Benz	1	ZH137	2CPX060497R9999	
Latch handle				
With latch plate and lock	1	TZ503	2CPX010487R9999	
With latch plate, without lock	1	TZ504	2CPX010488R9999	
T-handle				
With latch plate and lock	1	TZ505	2CPX010489R9999	
With latch plate, without lock	1	TZ506	2CPX010490R9999	
Swivel handle				
For semi-cylinder 40 mm (30/10) with lead sealable cap	1	TZ510	2CPX010494R9999	
Dummy insert				
Instead of a semi-cylinder for the swivel handle TZ510	1	ZH142	2CPX060502R9999	

Lock replacement parts



ZH91



ZH160



ZH157



ZH162



ZH165



TZ206



TZ511



TZ501



TZ502

Article	Pcs.	Type	Ord. no.	Price
Universal key	1	ZH91	2CPX066091R9999	
Double bit 3 mm/5 mm Triangular 8 mm, square 6 mm/8 mm				
Double bit 3 mm*	1	ZH160	2CPX060660R9999	
Double bit 5 mm	1	ZH161	2CPX060661R9999	
Triangular 7 mm	1	ZH157	2CPX060657R9999	
Triangular 8 mm	1	ZH158	2CPX060658R9999	
Square 6 mm	1	ZH162	2CPX060662R9999	
Square 7 mm	1	ZH163	2CPX060663R9999	
Square 8 mm	1	ZH164	2CPX060664R9999	
Daimler-Benz	1	ZH165	2CPX060665R9999	
Espagnolette closure				
12 GU = 1800 mm with lock part*	1	TZ212	2CPX010468R9999	
Espagnolette guide*				
	1	TZ511	2CPX010495R9999	
Shoe*				
For espagnolette closure	1	TZ501	2CPX010485R9999	
Rubber seal *				
For double-wing door	1	TZ502	2CPX010486R9999	

*Spare part included in the scope of delivery

General accessories



TZ433



TZ601



ZW125P4



TZ615P4



TZ607



TZ630P10

Article	Pcs.	Type	Ord. no.	Price
Center support rails * For fastening in the floor-standing cabinet Two additional mounting rails TZ601 are required				
Panel width 1 = 250 mm	1	TZ431	2CPX010960R9999	
Panel width 2 = 500 mm	1	TZ432	2CPX010961R9999	
Panel width 3 = 750 mm	1	TZ433	2CPX010962R9999	
Panel width 4 = 1000 mm	1	TZ434	2CPX010963R9999	
Panel width 5 = 1250 mm	1	TZ435	2CPX010964R9999	
Mounting rails* To fasten the center support rail	1	TZ601	2CPX010779R9999	
	10	TZ601P10	2CPX010814R9999	
	100	TZ601P100	2CPX010815R9999	
External mounting bracket* For securing cabinets to the wall	4	ZW125P4	2CPX062461R9999	
Transport lugs	4	TZ615P4	2CPX010510R9999	
Door hinge 180 degrees* Colour RAL 9005	1	TZ607	2CPX010502R9999	
Pin* For the door hinge 180 degrees	10	TZ630P10	2CPX010929R9999	

* Included in the scope of delivery

General accessories



ZL8



TZ617P10



TZ628P10



ZA6



ZA5



ZA123



ZA16



ZA116

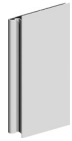
Article	Pcs.	Type	Ord. no.	Price
Door earthing set 10 mm ²	1	ZL8	2CPX038001R9999	
Locking plug*	10	TZ617P10	2CPX010512R9999	
Blind plug* For hinge break outs	10	TZ628P10	2CPX010854R9999	
Document holder DIN A4 Self-adhesive with transparent sleeve and reinforced back	1	ZA6	2CPX038227R9999	
Self-adhesive with transparent sleeve	10	ZA6P10	2CPX062380R9999	
Self-adhesive with transparent sleeve	10	ZA61P10	2CPX062375R9999	
Document holder DIN A4 Self-adhesive	1	ZA13	2CPX038233R9999	
	10	ZA13P10	2CPX062381R9999	
Document holder DIN A5 Self-adhesive	1	ZA5	2CPX038228R9999	
	10	ZA5P10	2CPX062382R9999	
Document holder support plate				
For document holder ZA13, to screw on to the door strengthening profiles	1	ZA123	2CPX038471R9999	
For document holder ZA5, to screw on to the door strengthening profiles	1	ZA125	2CPX038472R9999	
Spray paint can Colour RAL 7035, 150 ml	1	ZA16	2CPX038235R9999	
Touch-up applicator Colour RAL 7035, 12 ml	1	ZA116	2CPX039042R9999	

* Included in the scope of delivery

Accessories meter applications



TZ614



TZ610



TZ616



TZ618

Article	Unmounted				Installed to the cabinet*		
	Pcs.	Type	Ord. no.	Price	Type	Ord. no.	Price
Cover rail ^{*1} For the installation of meter panels to cover the fastening points of the centre support rail in the double insulated floor-standing cabinet							
For TwinLine-H	1	TZ612	2CPX010507R9999		TZ612A	2CPX010796R9999	
Internal cladding ^{*1} For meter panels, depth = 225 mm Additional profile for meter panels with 150 mm cable connection area on top, in the double insulated cabinet	1	TZ610	2CPX010505R9999		TZ610A	2CPX010795R9999	
Mounting set For the installation of meter panels into floor-standing cabinets order one additional TZ616 per panel width (250 mm)	1	TZ616	2CPX010511R9999		TZ616A	2CPX010799R9999	
Touch guard For earthed cabinets							
For single meter panels	1	TZ618	2CPX010673R9999		TZ618A	2CPX010800R9999	
For double meter panels	1	TZ619	2CPX010674R9999		TZ619A	2CPX010801R9999	

* Only in combination with factory-assembled meter and distribution board panels, combination sets or CombiLine N

^{*1} For ordering information see opposite page

Meter applications

—

01

Cover rail TZ612

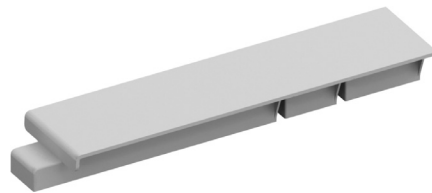
Required to integrate meter panels into double insulated floor-standing cabinets of the IPXXB degree of protection in the area of the available fastening holes for the centre support rail

—

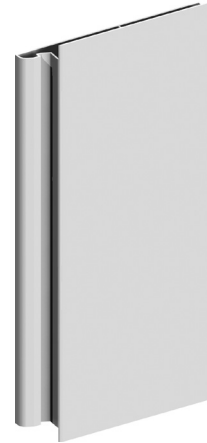
02

Internal cladding TZ610

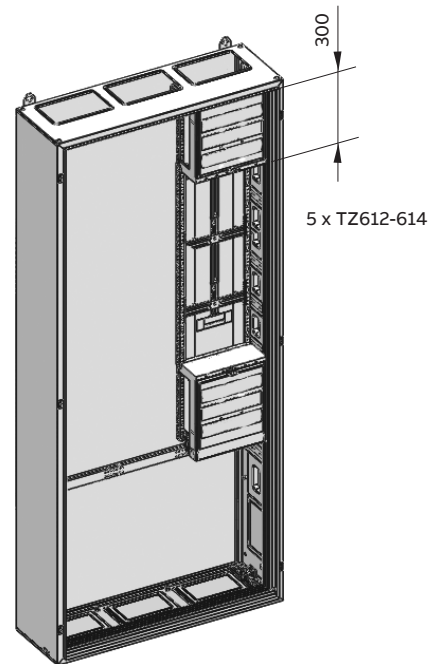
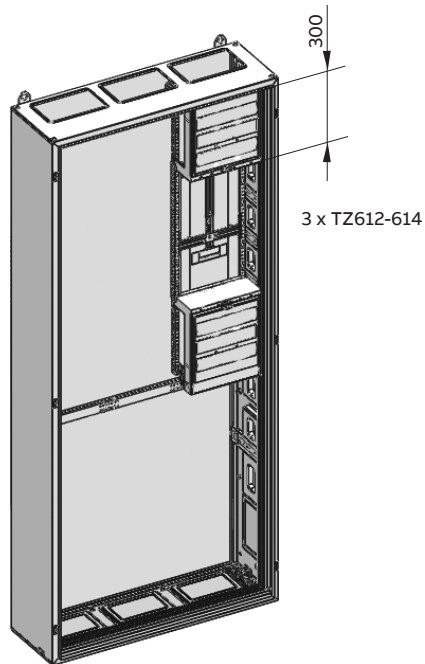
For meter panels, depth = 225 mm
Additional profile for meter panels with 150 mm connection area in double insulated cabinets



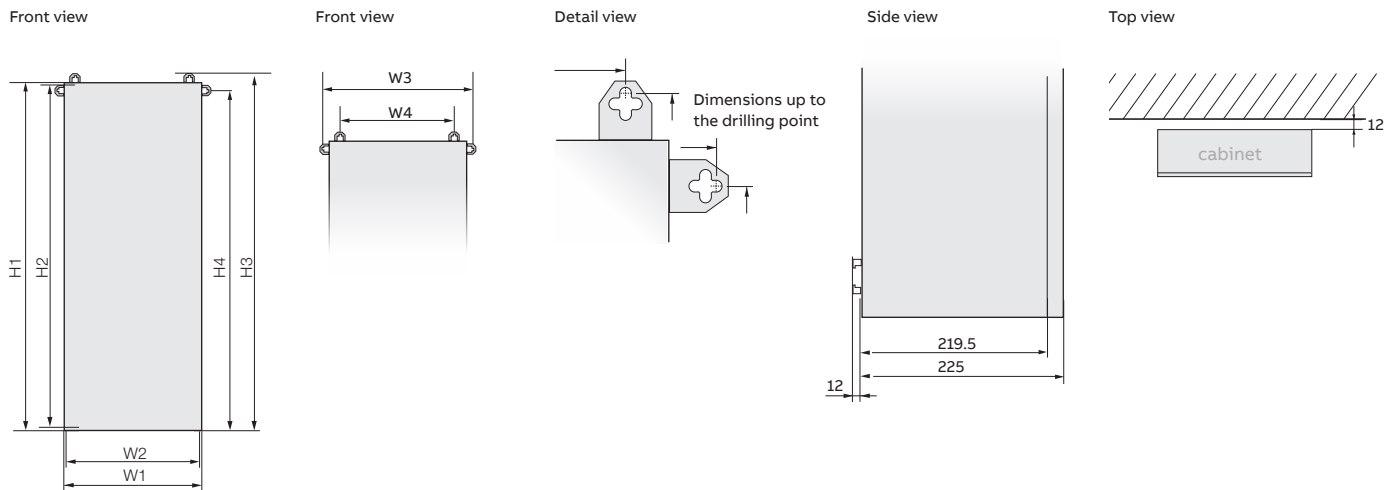
01



02



Dimensions, weights, power loss



TwinLine-H floor-standing cabinets

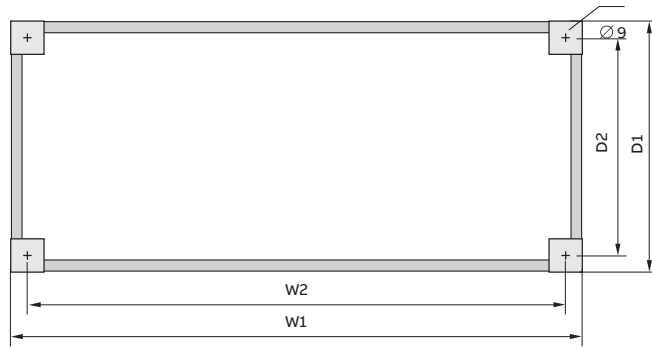
Height GU	OH	Width PW	Type	External dimensions in mm		Internal dimensions in mm		Dimensions wall fastening in mm			
				H1	W1	H2	W2	H3	W3	H4	W4
12	8	1	TH112	1850	300	1802	252	1872	328	1796	192
		2	TH212	1850	550	1802	502	1872	578	1796	442
		3	TH312	1850	800	1802	752	1872	828	1796	692
		4	TH412	1850	1050	1802	1002	1872	1078	1796	942
		5	TH512	1850	1300	1802	1252	1872	1328	1796	1192

TwinLine-H floor-standing cabinets

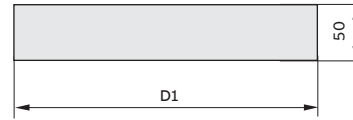
Height GU	OH	Width PW	Type	Power loss in Watt*	Cabinet weight	Cabinet weight	max. installation weight
				with over temperature t 20K	With door (kg)	With door (kg)	in kg
12	8	1	TH112	64.00	25.65	27.33	45
		2	TH212	113.00	39.44	41.77	90
		3	TH312	162.60	50.88	53.86	135
		4	TH412	202.10	64.70	69.72	180
		5	TH512	230.80	75.82	80.21	225

Dimensions and weights

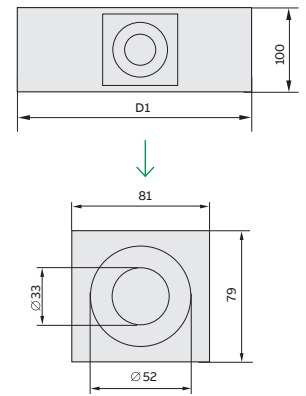
Top view



Side view



Side view



TwinLine-H, plinth 50 mm

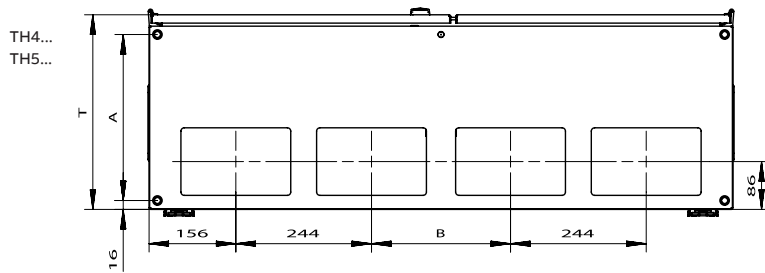
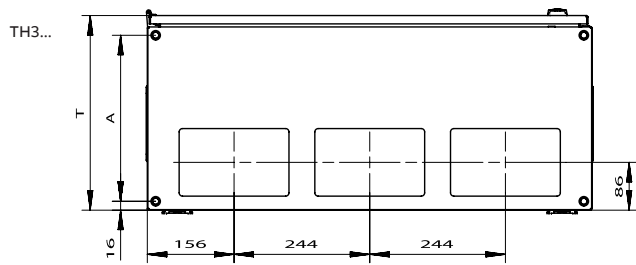
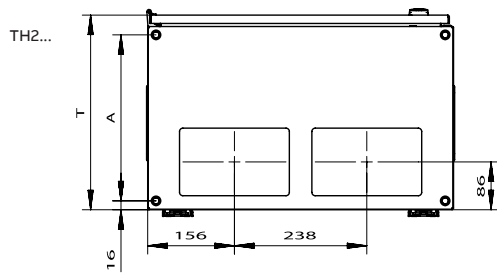
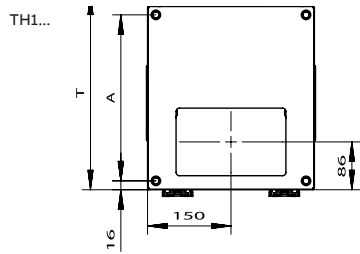
Height mm	Depth mm	Width		External dimensions Width x depth in mm		Internal dimensions Width x depth in mm		Weight in kg
		PW	Type	W1	D1	W2	D2	
50	225	1	TZG105	300	203.50	270	173.50	1.37
		2	TZG205	550	203.50	520	173.50	1.91
		3	TZG305	800	203.50	770	173.50	2.41
		4	TZG405	1050	203.50	1020	173.50	2.93
		5	TZG505	1300	203.50	1270	173.50	3.44

TwinLine-H, plinth 100 mm

Height mm	Depth mm	Width		External dimensions Width x depth in mm		Internal dimensions Width x depth in mm		Weight in kg
		PW	Type	W1	D1	W2	D2	
100	225	1	TZG110	300	203.50	270	173.50	2.22
		2	TZG210	550	203.50	520	173.50	3.06
		3	TZG310	800	203.50	770	173.50	3.87
		4	TZG410	1050	203.50	1020	173.50	4.67
		5	TZG510	1300	204.50	1270	173.50	5.47



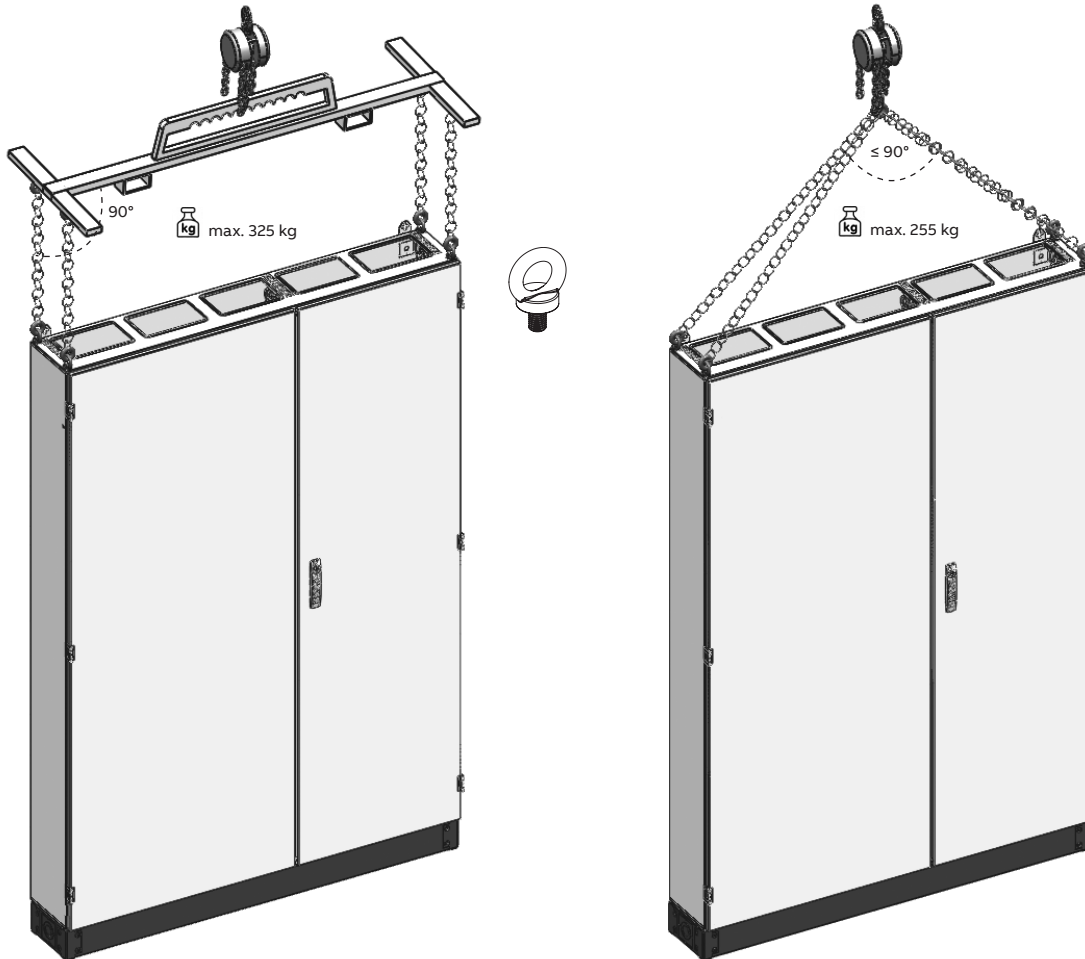
Flange openings on top / knock-outs at the bottom



Cabinet series	Depth	A	W / 4 PW	W / 5 PW
TwinLine-H	225.00	173.50	1 x 250 (250)	2 x 250 (500)

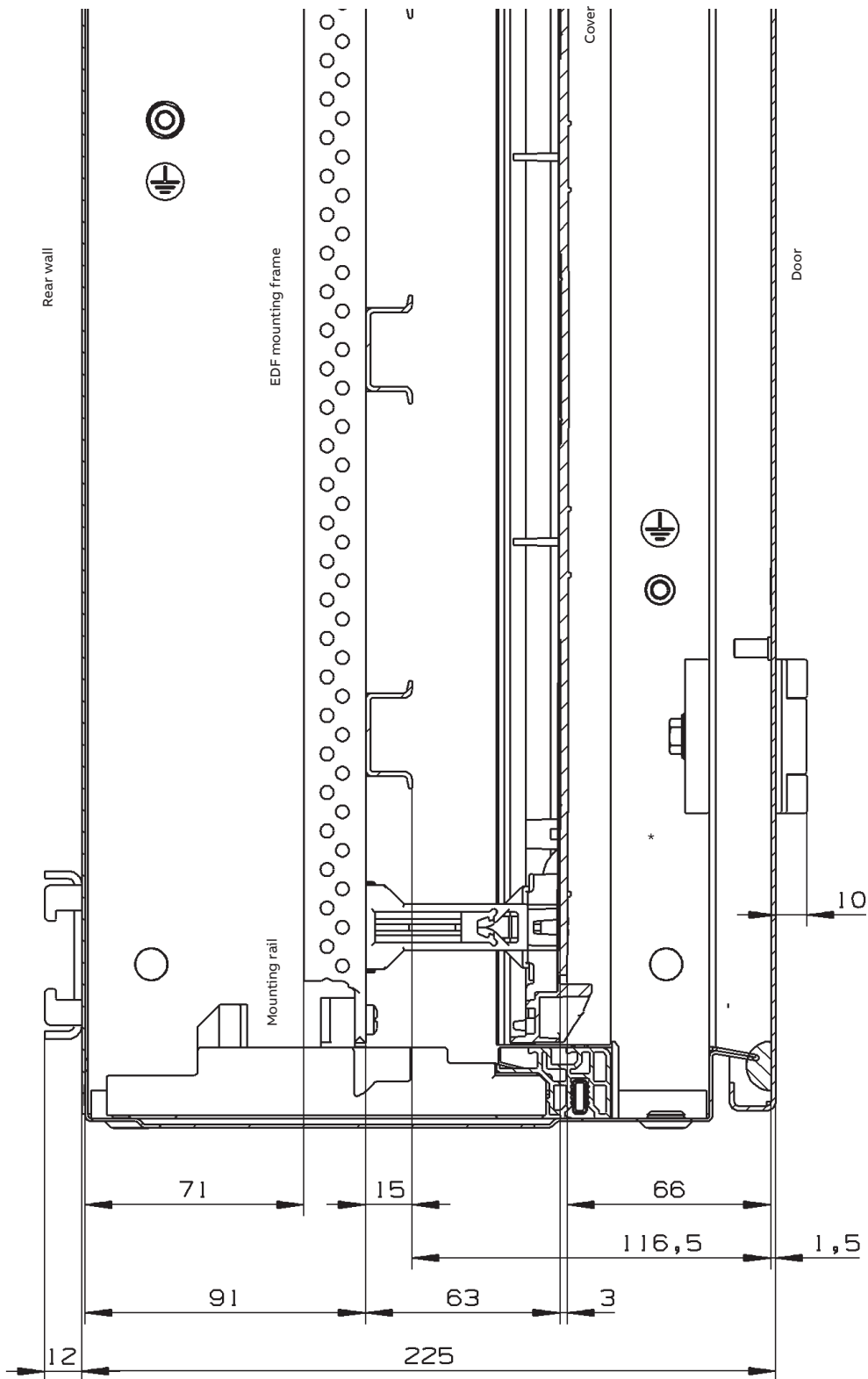
> Dimensions in mm

Transport by crane

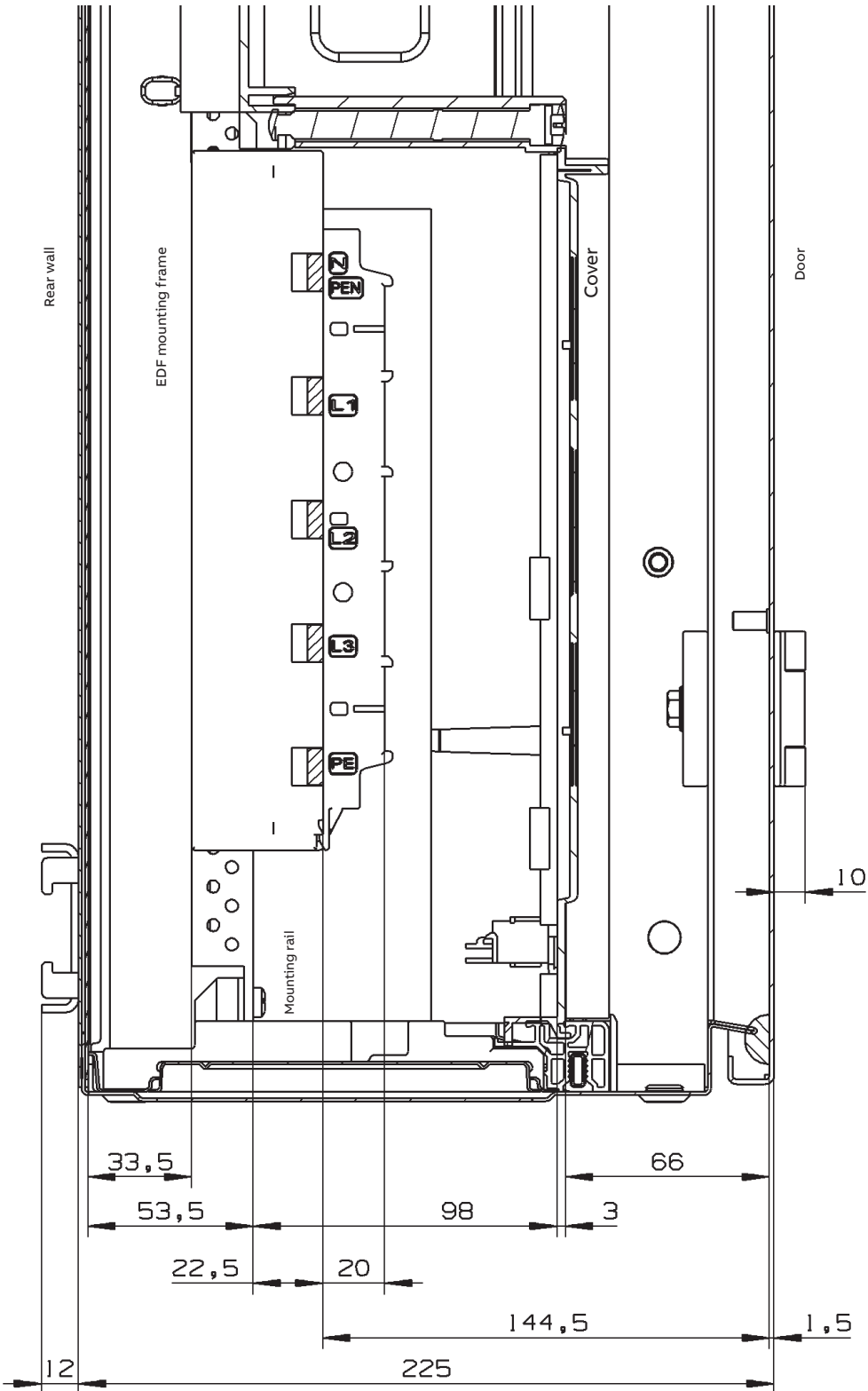


—
Lifting of the TwinLine enclosures is possible as indicated. Always use the ABB STRIEBEL & JOHN transport lugs type TZ615P4. Crane transport is only possible for individual cabinets! Also consider the weight limits of the cabinets.

Assembly of CombiLine N modules to EDF mounting frame



Assembly with meter panel for TwinLine-H 



—
ABB STRIEBEL & JOHN
Am Fuchsgraben 2 - 3
77880 Sasbach
Germany
Phone: + 49 7841 609 0
Fax: + 49 7841 609 545
E-Mail: info.desuj@de.abb.com

www.striebelundjohn.com

We reserve the right to make technical changes or modify the contents of this document without prior notice. With regard to purchase orders, the agreed particulars shall prevail.
ABB STRIEBEL & JOHN does not accept any responsibility whatsoever for potential errors or possible lack of information in this document.
We reserve all rights in this document and in the subject matter and illustrations contained therein. Any reproduction, disclosure to third parties or utilization of its contents - in whole or in parts - is forbidden without prior written consent of ABB STRIEBEL & JOHN.

Copyright © 2017 ABB STRIEBEL & JOHN
All rights reserved

