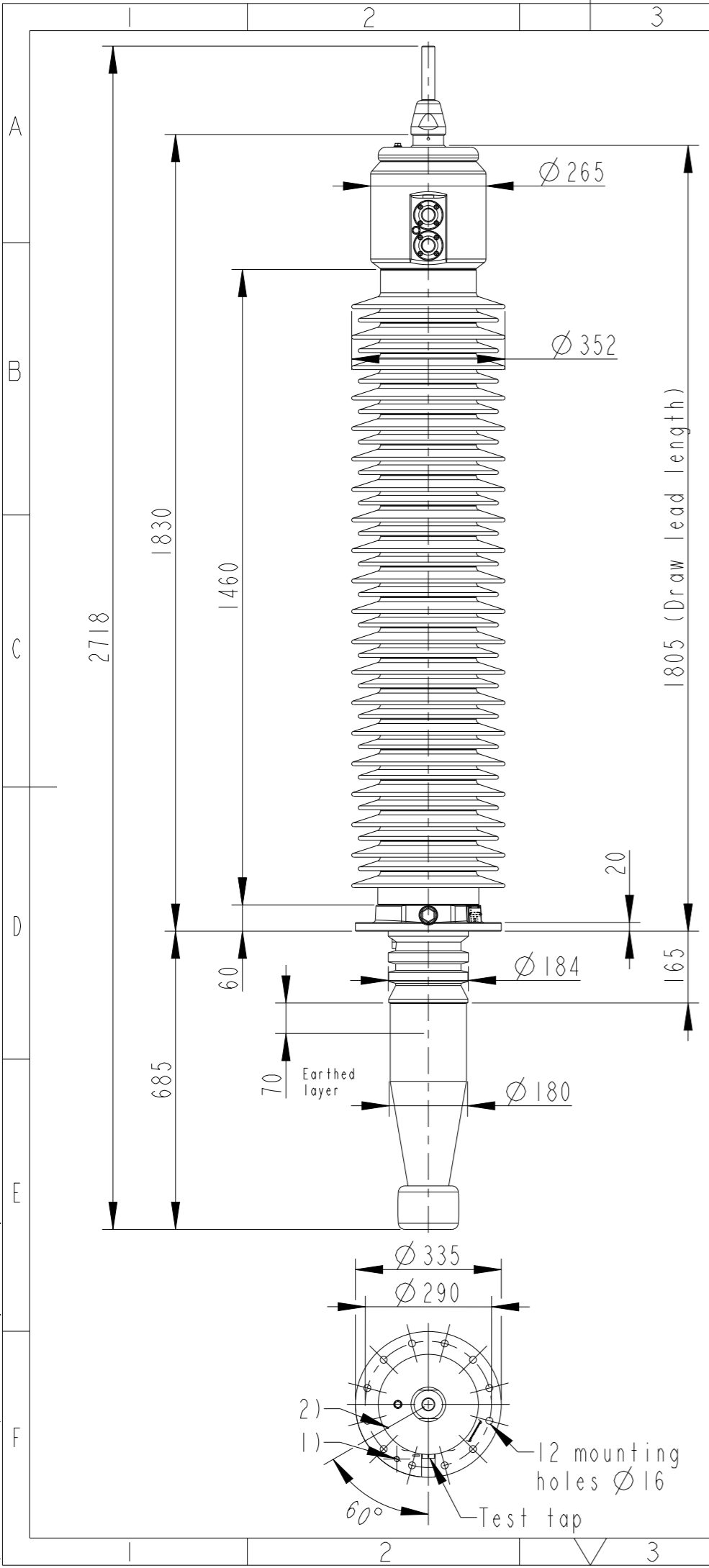
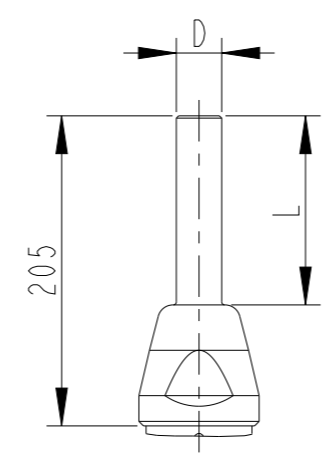


This document is issued by means of a computerized system. The digitally stored original is electronically approved. The approved document has a date entered in the "Approved"-field. A manual signature is not required.

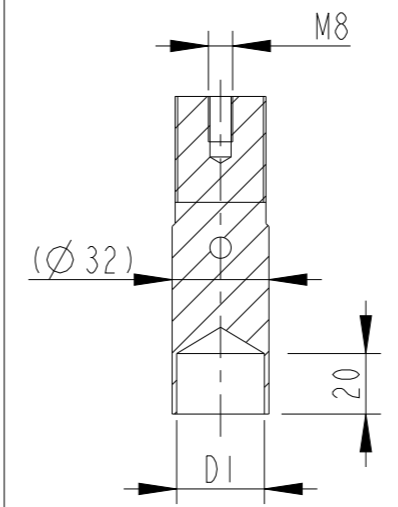
We reserve all rights in this document and in the information contained therein. Reproduction, use or disclosure to third parties without express authority is strictly forbidden.



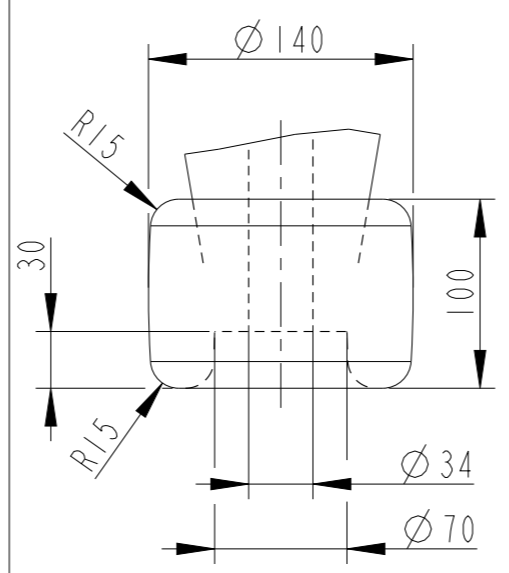
OUTER TERMINAL



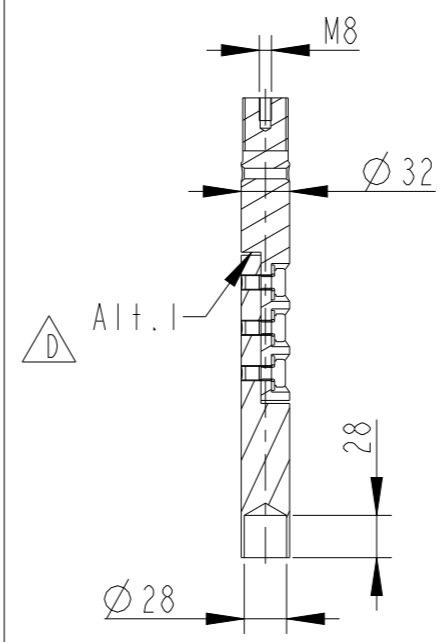
INNER TERMINAL FOR STRANDED CABLE



END SHIELD



SOLID ROD CONNECTOR



The solid rod can be divided either:
Alt.1: 20mm below the bushing flange

Revision	Revision text
D	Removed Alt.2, Changed the Phase to ground voltage from 170 to 98kV

Bushing Data:

Rated Voltage	170	kV
Phase to Ground Voltage	$\triangle D$ 98	kV
Dry Lightning Impulse 1,2/50 μ s	750	kV
Wet power frequency AC	325	kV
Routine test Imin dry 50Hz	365	kV
Rated Current	1250	A
Creepage Distance	5420 \pm 140	mm
Creepage Distance Protected	2330	mm
Mass	237	kg

Ordering Data:

BUSHING	COLOUR AIR INSULATOR	
LF123104-K	BROWN	
LF123104-L	LIGHT GREY	
LF123104-HK	BROWN Horizontal 45°-90°	
LF123104-HL	LIGHT GREY Horizontal 45°-90°	
OUTER TERMINAL	Material D L	
LF 170 002-B	Cu alloy, ϕ 30,125	
LF 170 001-B	Al, ϕ 30,125	
OTHER TYPES ON REQUEST		
INNER TERMINAL FOR STRANDED CABLE		
For brazing	Conductor area	D1
LF 170 011-T	up to 285mm ²	ϕ 29
LF 170 011-V	Undrilled with pilot hole ϕ 5	
SOLID ROD CONNECTOR	Material	
LF 170 052 -AZ for Alt.1	Cu	

- 1) M12 (For Earthing)
- 2) ϕ 4 Oil connection hole (only valid for horizontal mounting)

ABB		Ludvika, Sweden	
No.			
Um	kV Ir	A 50/60 Hz	
BIL	kV SIL	kV AC	kV
M	kg L	mm	°
C1	pF Tan δ	x	
C2	pF Tan δ	x	

Approved 2020-01-13	Document Kind Outline Drawing	Based on doc. id	Work order id	Project id
Company ABB Technology Ltd	Title, Supplementary title GOB 750-1250-0.2 WITH OIL LEVEL GAUGE STD END SHIELD			
Responsible Department SEABB-9AAE300824	Document id 2751369-223	Status Released	Revision D	Iteration 1/1

