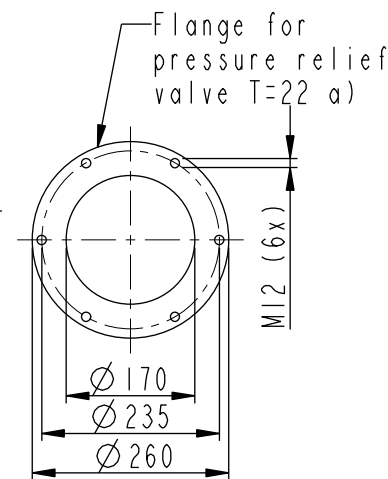
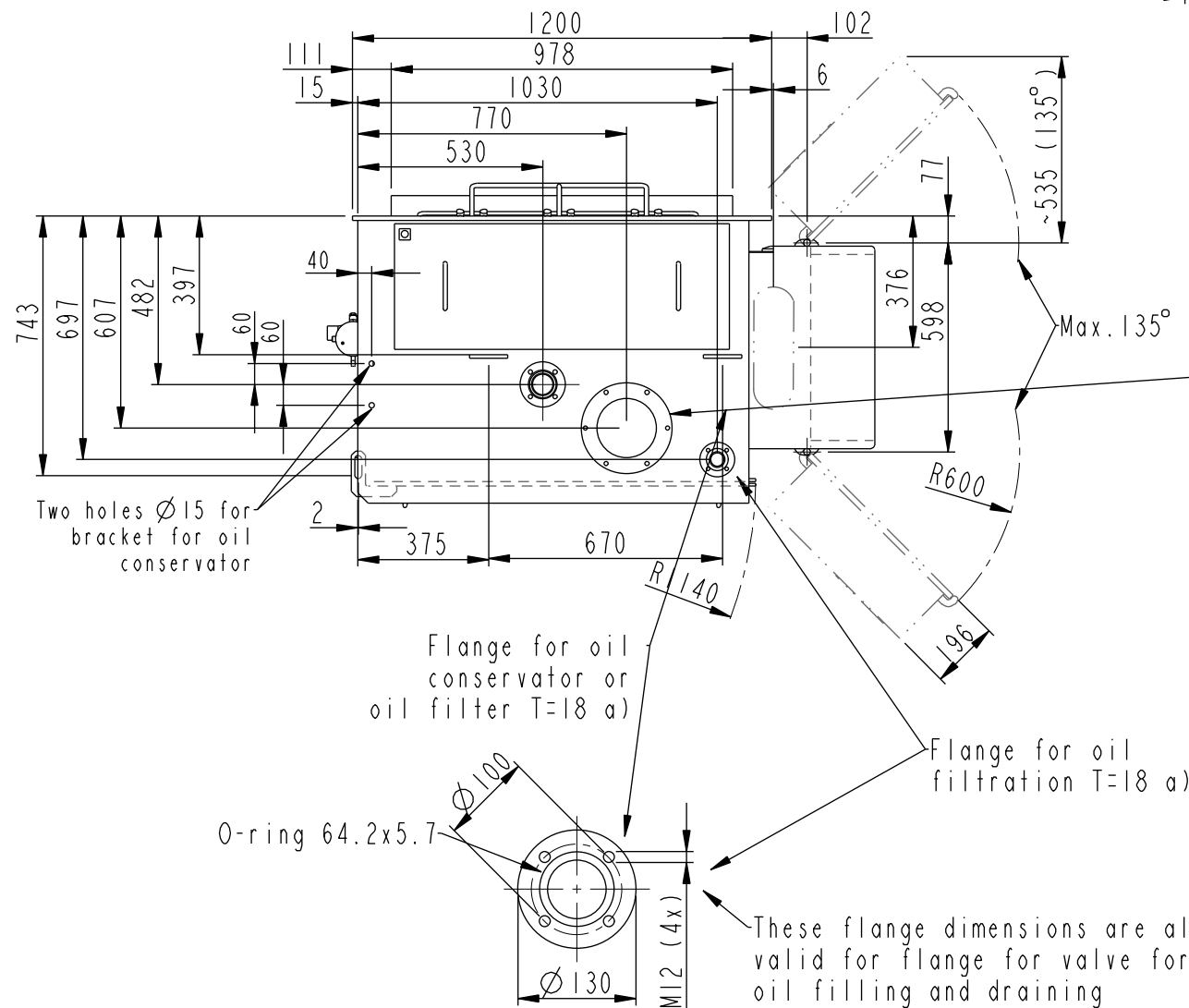
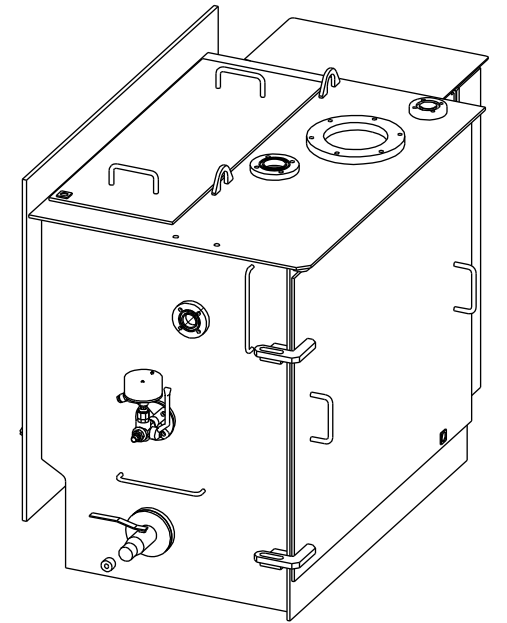
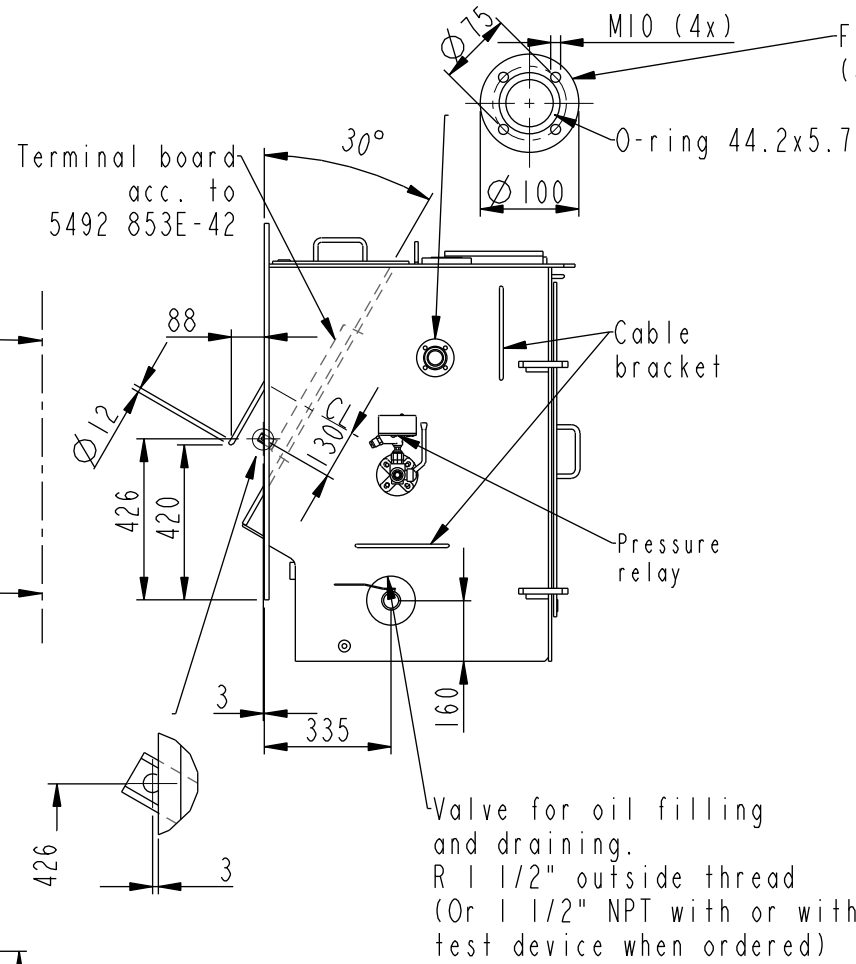
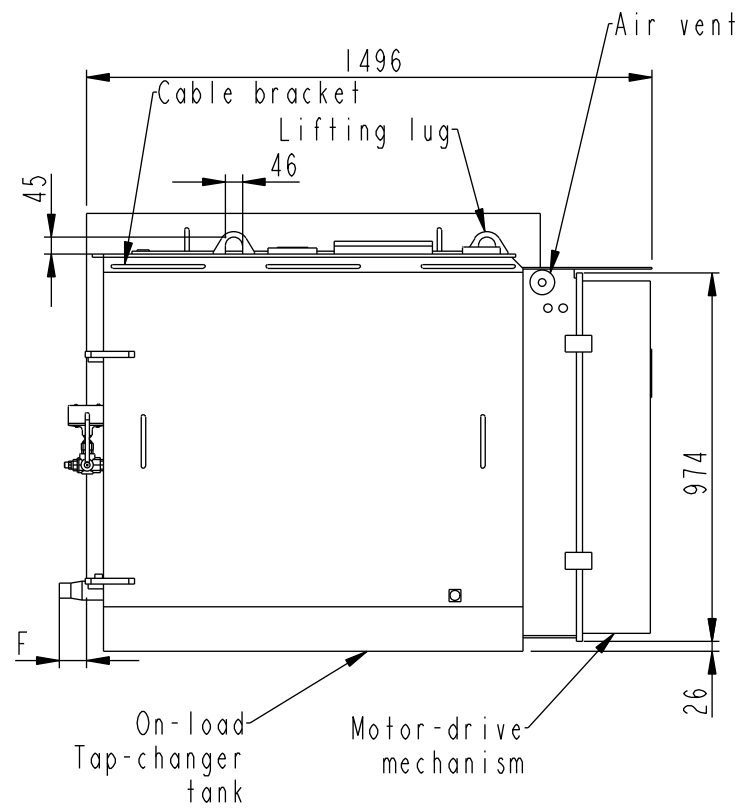


Valve	F
R 1 1/2"	74
1 1/2" NPT	64
1 1/2" NPT with test device	109



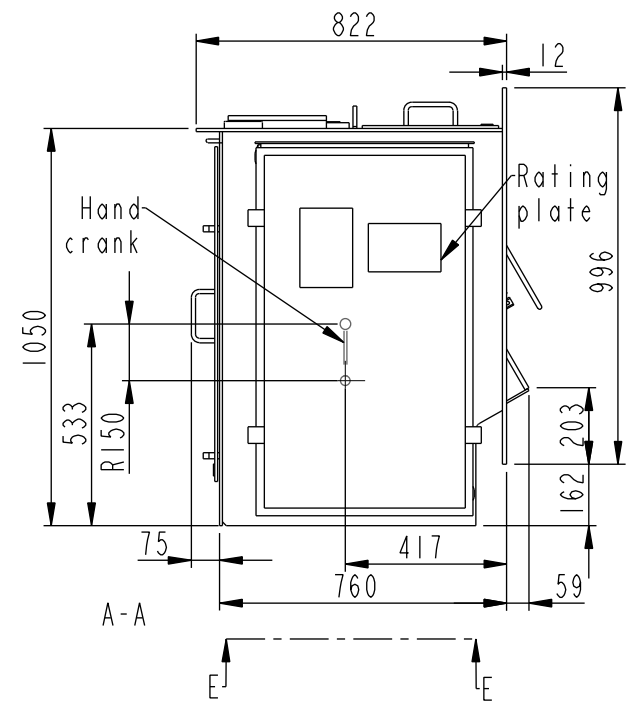
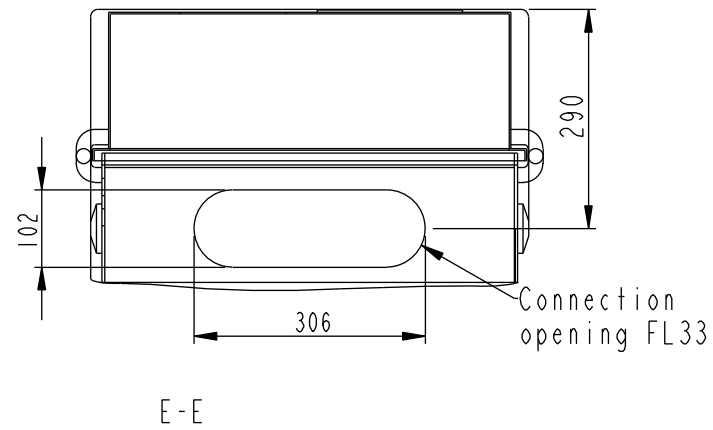
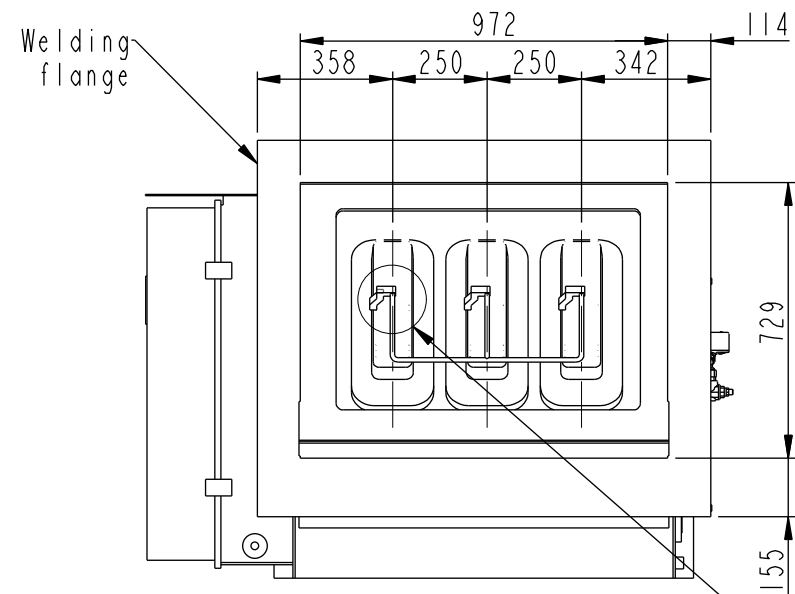
a) All flanges without accessories delivered with cover plates

Mass: 720 kg without oil
 Required oil: 400 kg (460 litres)
 Total mass: 1120 kg

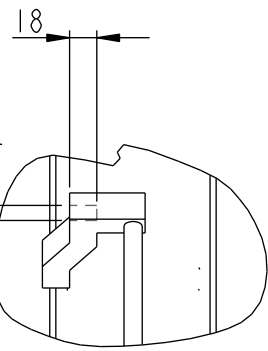
Based on	Reg. No.	Title	
Prepared T Sapila 96-10-03	Responsible department COM/TK	TAP-CHANGER UZF	Language en
Approved M Eriksson	Take over department	UZF.N, UZF.T 200, 250KV	
Revision Rev.3 06-10-10	Database DIMENSION_DWGS	Standard tank. Welding flange	Page 1(2)
ABB Components		Document No. 54920090-6	

We reserve all rights in this document and in the information contained therein. Reproduction, use or disclosure to third parties without express authority is strictly forbidden. ©ABB

We reserve all rights in this document and in the information contained therein. Reproduction, use or disclosure to third parties without express authority is strictly forbidden. ©ABB

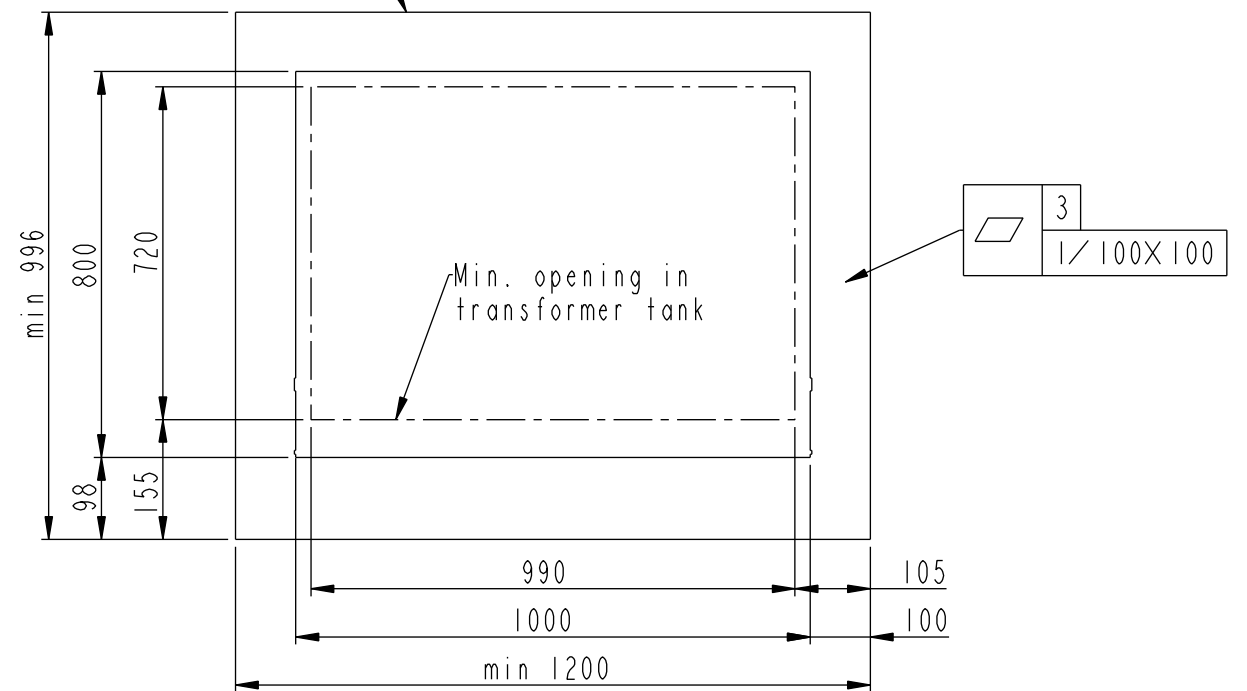


B-B

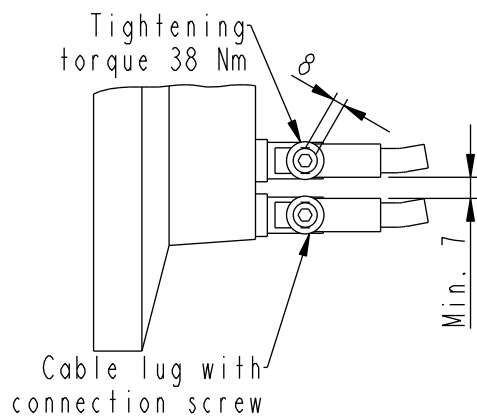
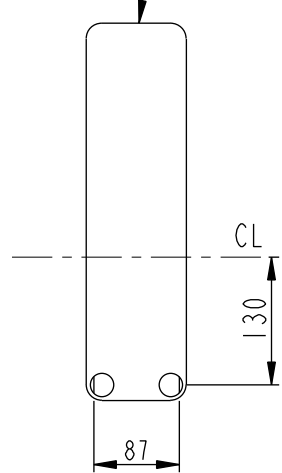


Neutral end bar only for star point type

Flange and opening in transformer tank



Terminal board acc. to 5492 853E-42



ADDITIONAL DRAWINGS:
 Connection Diagrams: See Technical Guide UZ
 Accessories: 54920090-9
 Pressure Relay: 54920083-2
 Oil Conservator: 54920090-10

Based on	Reg. No.	Title	
Prepared T Sapila 96-10-03	Responsible department COM/TK	TAP-CHANGER UZF UZF.N, UZF.T 200, 250KV	 Language 82
Approved M Eriksson	Take over department		
Revision Rev.3 06-10-10	Database DIMENSION_DWGS		Page 2(2)
ABB ABB Components		Document No.	54920090-6