

**PowerMark Gold**™  
**Riser Panel****Indoor Type**

**WARNING:** Hazard of electrical shock or burn.  
Turn off power supplying this equipment before  
working inside.

**General**

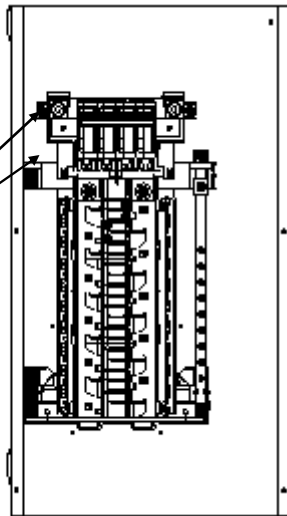
To Comply with the National Electrical Code and Underwriters Laboratories, the load center must be installed in accordance with the information included on the label on the inside of the equipment. This must also be done in accordance with applicable local electrical codes, and by a qualified electrical contractor and/or licensed electrician.

**1. REMOVE FRONT**

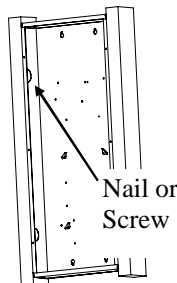
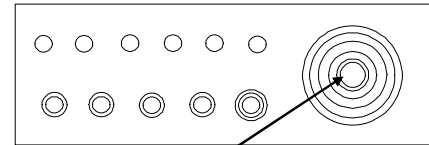
Remove screws from cover, save for reuse.

**2. REMOVE INTERIOR. (Optional)**

Back Out  
Mounting  
Screws and  
save for reuse.  
(Both Sides)

**3. MOUNT BOX**

For **Flush Mount** line up scribe lines on side of enclosure with studs and screw or nail to stud through small KO's in box side. Scribe lines are provided for 3/8, 1/2 and 5/8" sheet rock applications. For **Surface Mount** screw or nail through keyhole slot in back of box.

**4. REMOVE KO'S FOR ALL MAIN AND BRANCH CIRCUITS.**

Knockout Center KO  
inward then Outer Rings

First knock center KO inward. Outer rings should be alternately pried up or driven in one at a time.

**5. PULL INCOMING SERVICE AND BRANCH CIRCUIT WIRING INTO BOX.****6. REPLACE INTERIOR**

Drive mounting screws from Step 2.

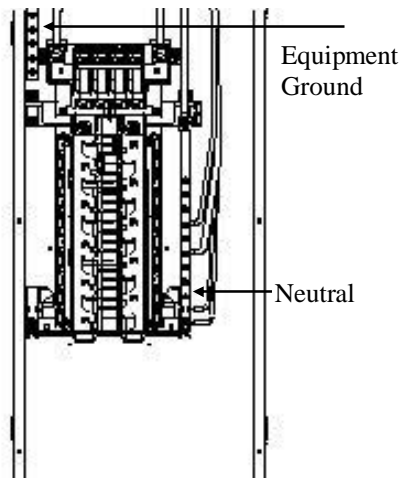
**CAUTION  
PROCEDURE FOR  
ALUMINUM TERMINATIONS****GENERAL**

The following procedure is recommended when connecting aluminum wire.

1. Strip the insulation, being careful not to nick the wire.
2. Wire-brush the conductor strands.
3. Thoroughly coat the stripped conductor with a suitable anti-oxidant compound such as ALNOX or PENETROX A13.
4. Insert conductor and tighten connector screw to indicated torque. (see Rating Label on Product)

**7. WIRE MAIN, NEUTRAL AND EQUIPMENT GROUND.**

Refer to rating label inside equipment for proper tightening torque. Wire neutral and equipment ground only in direction indicated by arrows. If required, ground and bond neutral to box using screw provided.



## 12. IDENTIFY CIRCUITS.

For user's convenience.

**NOTE:** Accessories and replacement parts are listed on the label inside the load center door.

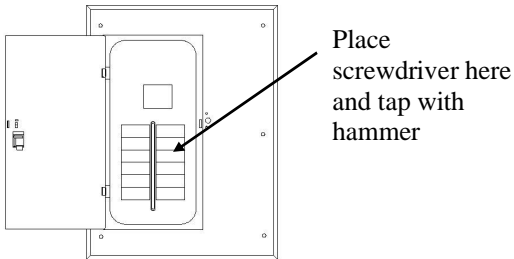
These instructions do not purport to cover all details or variations in equipment nor to provide for every possible contingency to be met in connection with installation operation or maintenance. Should further information be desired or should particular problems arise which are not covered sufficiently for the purchaser's purposes, the matter should be referred to the GE Company.

## 8. WIRE BRANCH CIRCUITS

Individually wire each branch circuit into a circuit breaker, then plug into interior. Refer to label on circuit breaker for proper tightening torque. Use General Electric circuit breakers only.



## 9. REMOVE COVER KO'S



## 10. IMPORTANT!

Re-tighten all electrical connections before energizing

## 11. SCREW FRONT ON BOX

Use screws removed in step 1.

g

*GE Electrical Distribution & Control*

---

General Electric Company  
41 Woodford Ave, Plainville, CT 06062