

---

ABB-EX SOLUTIONS™ — EMERGENCY LIGHTING

Rely on ABB-Ex Solutions™  
emergency lighting in areas  
where a potential for explosion or  
fire exists, due to the presence of  
certain gases, liquid vapors,  
combustible dusts or fiber  
particles suspended in the air.



---

# Table of contents

## Emergency lighting products

---



**068–069 XEB LED Series**

---



**070–071 XEC LED Series**

---



**072–073 XES LED Series**

---



**074–075 XER LED Series**

---

# XEB LED Series

Class I Division 2,  
Groups A, B, C and D  
hazardous location  
battery unit

## Key features and benefits

### Housing

- Class I Division 2, Groups A, B, C and D
- Vandal-resistant UV stabilized polycarbonate lamp cover
- Front and back plates are of a heavy duty aluminum
- Stainless steel tamper-proof screws

### Mounting:

- Surface wall mount only
- Includes mounting lugs on each side of the housing
- Universal J-box mounting
- 1/2 inch entry on both sides and top of housing

### Lamp type

- Choice of MR16 LED lamp wattages

### Electronics

- Pulse plus charger
- Low voltage disconnect
- Automatic brownout protection
- Battery lock-out
- Fused output circuit
- Magnetic test switch
- Standard Advanced Diagnostics (non-audible)
- 120/277 60Hz

### Battery type

- 6 or 12V lead-calcium battery

### Approvals

- CSA-US (to UL 924 standards)
- Evaluated to the UL 844 Standard for Class I Division 2, Groups A, B, C and D
- NEC, OSHA and NEMA compliant for above Classes and Groups
- Damp and wet location (50°F to 104°F)

### Warranty

- Unit has a five-year limited warranty



## CLASSIFICATION

CLASS I

Division 2      Groups A, B, C, D

Contact your ABB sales representative  
to verify classification

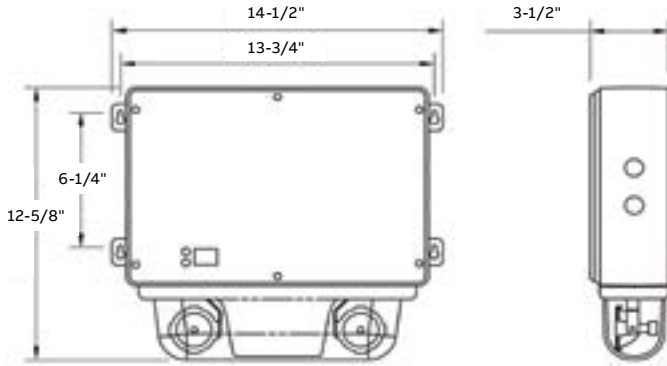
## CERTIFICATIONS



## FEATURES



## Dimensions



### Temperature codes

Lamp rating <sup>1</sup>	Temperature code	Max. temperature	Replacement part #
6V-4W	T4A	120°C	580.0097-EX
12V-4W	T4A	120°C	580.0080-EX
12V-5W	T4A	120°C	580.0104-EX
12V-6W	T4A	120°C	580.0106-EX

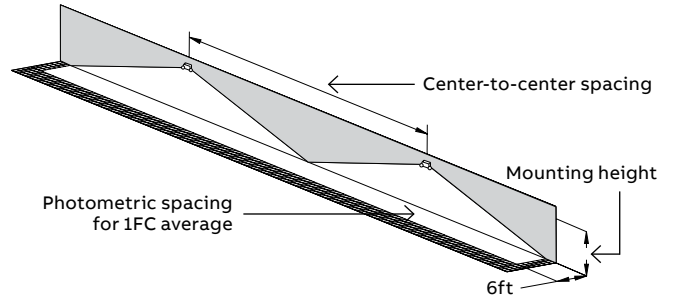
<sup>1</sup>Use qualified replacement lamps to avoid risk of over-heating

### Power consumption and unit rating

Model	AC specs	Battery capacity in watts					
		1-1/2 hrs	2 hrs	3 hrs	4 hrs	8 hrs	
XEB18	120/277VAC	0.17 / 0.09 Amp	18	12	9	-	-
12XEB36		0.30 / 0.15 Amp	36	27	18	14	-
12XEB60		0.30 / 0.15 Amp	60	45	30	24	12
12XEB72		0.30 / 0.15 Amp	72	54	36	28	14

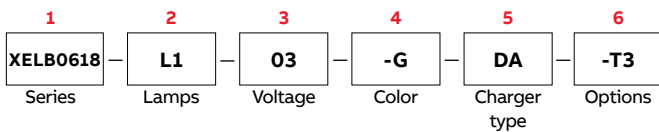
### Photometric performance

Lamp	Spacing center-to-center (feet)	
	7' mounting height	15' mounting height
L1	39'	34'
L7	49'	39'
L9	68'	54'
L10	89'	80'



## Numbering system

### Lighting fixture



### Lighting fixture

Part	Part number	Description
1 Series	<b>XELB0618</b>	6V 18W lead-calcium
	<b>XELB1236</b>	12V 36W lead-calcium
	<b>XELB1260</b>	12V 60W lead-calcium
	<b>XELB1272</b>	12V 72W lead-calcium
2 Lamps	<b>L1</b>	2 x MR16 LED 6V 4W
	<b>L7</b>	2 x MR16 LED 12V 4W
	<b>L9</b>	2 x MR16 LED 12V 5W
	<b>L10</b>	2 x MR16 LED 12V 6W
3 Voltage	<b>03</b>	120/277V 60 HZ
4 Color	<b>-G</b>	Gray housing
5 Charger type	<b>Blank</b>	Advanced Diagnostics non-audible
	<b>DA</b>	Advanced Diagnostics audible
6 Options	<b>Blank</b>	No option
	<b>-T3</b>	Time delay 15 minutes

# XEC LED Series

Class I Division 2,  
Groups A, B, C and D  
hazardous location  
combination unit

## Key features and benefits

### Construction

- Fully gasketed housing frame
- Faceplate: heavy-duty, vandal-resistant polycarbonate
- Backplate: heavy-duty aluminum
- Vandal-resistant UV stabilized polycarbonate lamp cover
- Stainless steel tamper-proof screws
- 6 inch EXIT lettering legend, available in red or green
- Field-selectable chevrons

### Mounting

- Surface wall mount only
- Backplate features universal knockouts for a standard 4 inch junction box, and four mounting eyelets used in wall mount applications
- 1/2 inch conduit entry on top and sides.

### Lamp type

- Choice of MR16 LED lamp wattages

### Battery type

- XEC Model, nickel-cadmium battery, 6V-20W total battery capacity
- XEC12N Model, nickel-cadmium battery, 12V-24W total battery capacity

### Electronics

- Magnetic test switch
- Standard Advanced Diagnostics (non-audible)
- 120/277 60Hz

### Approvals

- CSA-US (to UL 924 standards)
- Evaluated to the UL 844 Standard for Class I Division 2, Groups A, B, C and D
- NEC, OSHA and NEMA compliant for above Classes and Groups
- Damp and wet location (50°F to 104°F)
- Temperature code T4A (Max. temperature 248°F/120°C)
- Meets NFPA101 (Life Safety Code), NFPA 70-NEC and OSHA illumination standards

### Warranty

- Five-year limited warranty



## CLASSIFICATION

CLASS I	
Division 2	Groups A, B, C, D

Contact your ABB sales representative  
to verify classification

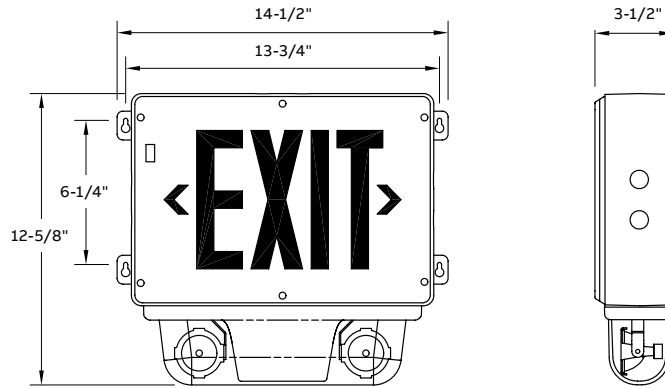
## CERTIFICATIONS



## FEATURES



## Dimensions

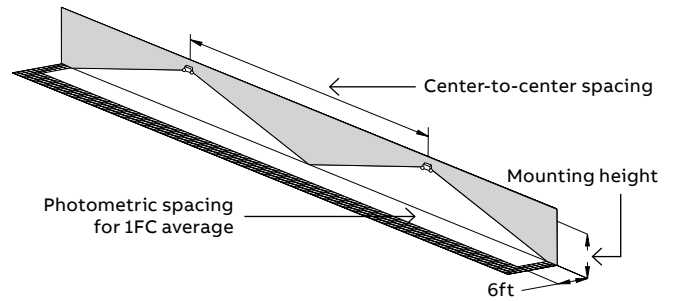


## Power consumption and unit rating

Model	AC Input	Current	Power	Maximum	Stand-by	Battery capacity in watts			
				Current	Power	1-1/2 hrs	2 hrs	3 hrs	4 hrs
XEC	120/277VAC	0.15/0.07A	16W	0.09/0.03A	8W	20	15	-	-
XEC12N	120/277VAC	0.30/0.08A	29W	0.13/0.05A	10W	24	18	12	-

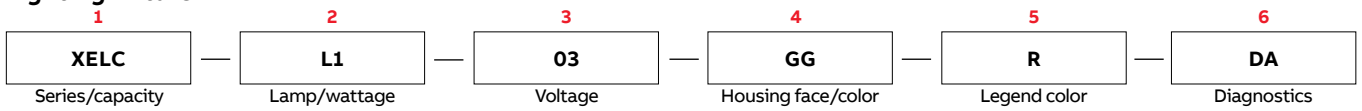
## Photometric performance

Lamp	Spacing center-to-center (feet)	
	7' mounting height	15' mounting height
L1	39'	34'
L7	49'	39'
L9	68'	54'
L10	89'	80'



## Numbering system

### Lighting fixture



### Lighting fixture

Part	Part number	Description
1 Series/capacity	XELC	6V-20W, NICD
	XELC12N	12V-24W, NICD
2 Lamp/wattage	L1	2 x MR16 LED 6V 4W
	L7	2 x MR16 LED 12V 4W
	L9	2 x MR16 LED 12V 5W
	L10	2 x MR16 LED 12V 6W
3 Voltage	03	120/277V 60 HZ
4 Housing/face color	GG	Gray/gray
5 Legend color	R	Red legend
	G	Green legend
6 Diagnostics	Blank	Advanced Diagnostics non-audible
	DA	Advanced Diagnostics audible

### Accessories (order as a separate item)

Description	Part number
Additional special bit for tamper-proof screws	690.0454-EX

# XES LED Series

Class I Division 2,  
Groups A, B, C and D,  
hazardous location exit sign



## Key features and benefits

### Construction

- Fully gasketed housing frame
- Faceplate: heavy-duty, vandal-resistant polycarbonate
- Backplate: heavy-duty aluminum
- Stainless steel tamper-proof screws
- 6 inch EXIT lettering legend, available in red or green
- Field-selectable chevrons

### Mounting

- Surface mount
- Junction box included for wall, end or ceiling mount applications
- 1/2 inch conduit knock-out entry on top and sides.

### Electronics

- Magnetic test switch
- Standard Advanced Diagnostics (non-audible)
- 120/277 60Hz

### Approvals

- CSA-US (To UL 924 standards)
- Evaluated to the UL 844 Standard for Class I Division 2, Groups A, B, C and D
- NEC, OSHA and NEMA compliant for above Classes and Groups
- Damp and wet location (50°F to 104°F)
- Meets NFPA101 (Life Safety Code), NFPA 70-NEC and OSHA illumination standards

### Warranty

- Five-year limited warranty

## CLASSIFICATION

CLASS I

Division 2

Groups A, B, C, D

Contact your ABB sales representative  
to verify classification

## CERTIFICATIONS



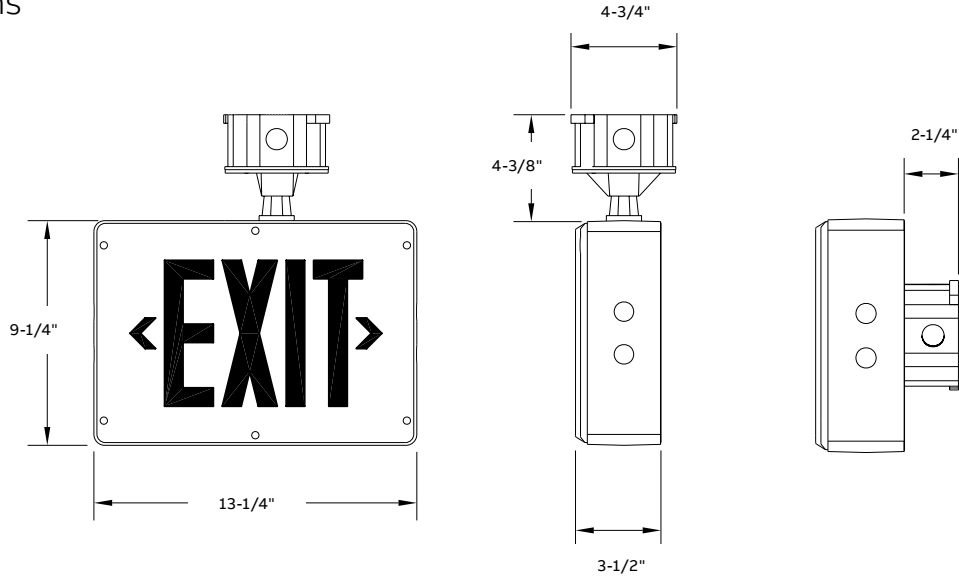
US  
LR111065

UL844  
UL924

## FEATURES



## Dimensions



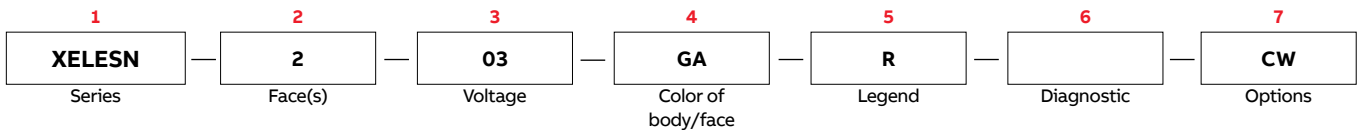
### Power consumption<sup>1</sup>

Model	AC specs	DC specs
AC-only red	120 to 277VAC	Less than 2W
AC-only green	120 to 277VAC	Less than 1.5W
Self-powered red	120 to 277VAC	Less than 2W
Self-powered green	120 to 277VAC	Less than 2.5W

<sup>1</sup>Cold-weather option does not consume additional power

## Numbering system

### Lighting fixture



### Lighting fixture

Part	Part number	Description
1 Series/capacity	<b>XELES</b>	AC/DC (50° to 104°F Amb)
	<b>XELESN</b>	Self-powered (NiCad) (50° to 104°F)
2 Face(s)	<b>1</b>	Single (ceiling/wall mount)
	<b>2</b>	Double (ceiling mount only)
3 Voltage	<b>03</b>	120/277V 60 Hz
4 Color of body/face	<b>GA</b>	Gray <sup>1</sup>
5 Legend	<b>R</b>	Red
	<b>G</b>	Green
6 Diagnostic	<b>Blank</b>	Advanced Diagnostics (non-audible)
7 Options	<b>CW</b>	Cold weather (-4° to 104°F Amb) <sup>2</sup>

<sup>1</sup>Other colors available

<sup>2</sup>Available with XELESN only

### Accessories (order as a separate item)

Description	Part number
Tamper-proof bit (extra)	690.0454-EX
Convert single to double face, red <sup>1</sup>	DFKR-GY-EX
Convert single face to double face, green <sup>1</sup>	DFKG-GY-EX

<sup>1</sup>In the field



# XER LED Series

Class I Division 2,  
Groups A, B, C and D  
hazardous location  
remote fixture



## Key features and benefits

### Description

- Available with single or double lamp heads
- Die-cast aluminum back plate with gasket
- Vandal-resistant UV stabilized polycarbonate lamp cover
- Comes standard with tamper-proof screws and bit
- Universal J-box mounting
- Extreme operational temperature range:  
-40°F to +104°F

### Mounting

- Surface mount
- Conduit entry 1/2" NPT

### Approval

- CSA-US (to UL 924 standards)
- Evaluated to the UL 844 Standard for Class I Division 2, Groups A, B, C and D

### Warranty

- Five-year limited warranty

## CLASSIFICATION

CLASS I

Division 2

Groups A, B, C, D

Contact your ABB sales representative  
to verify classification

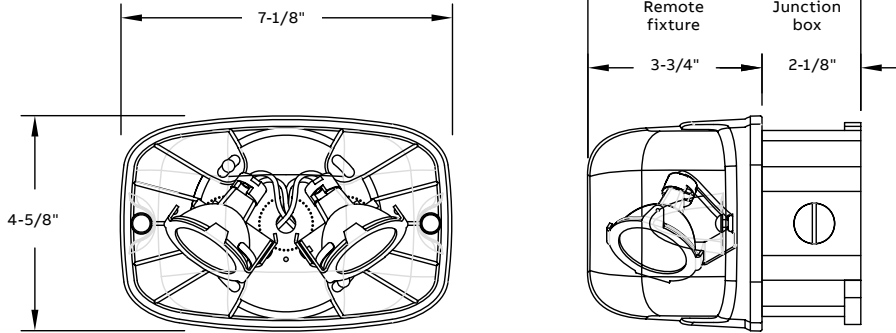
## CERTIFICATIONS



US  
LR111065

UL844  
UL924

## Dimensions

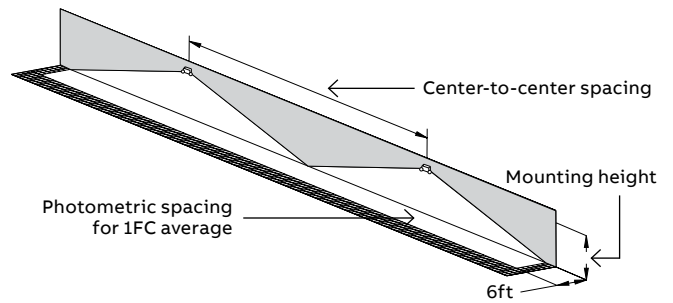


### Lamp selection chart and temperature code

Lamp suffix	Voltage	Wattage	Lumens	Replacement #	Temperature code	Max temperature
L1	6	4	200	580.0097-EX	T4A	120°C
L7	12	4	220	580.0093-EX	T5	100°C
L9	12	5	340	580.0104-EX	T4A	120°C
L10	12	6	540	580.0106-EX	T4	135°C
L13	24	4	220	580.0098-EX	T5	100°C
L26	120	4	230	580.0113-EX	T4A	120°C

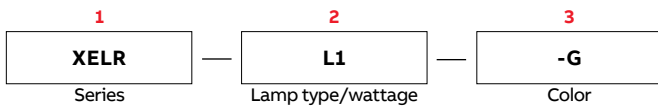
### Photometric performance

Lamp	Spacing center-to-center (feet)	
	7' mounting height	15' mounting height
L1	39'	34'
L7	49'	39'
L9	68'	54'
L10	89'	80'
L13	51'	39'



## Numbering system

### Lighting fixture



### Lighting fixture

Part	Part number	Description
1 Series	XELR	Single C1D2
	XELRD	Double C1D2
2 Lamp type/wattage	L1	6V 4W, MR16 LED
	L7	12V 4W, MR16 LED
	L9	12V 5W, MR16 LED
	L10	12V 6W, MR16 LED
	L13	24V 4W, MR16 LED
	L26	120V 4W, MR16 LED cw wires
3 Color	-G	Gray