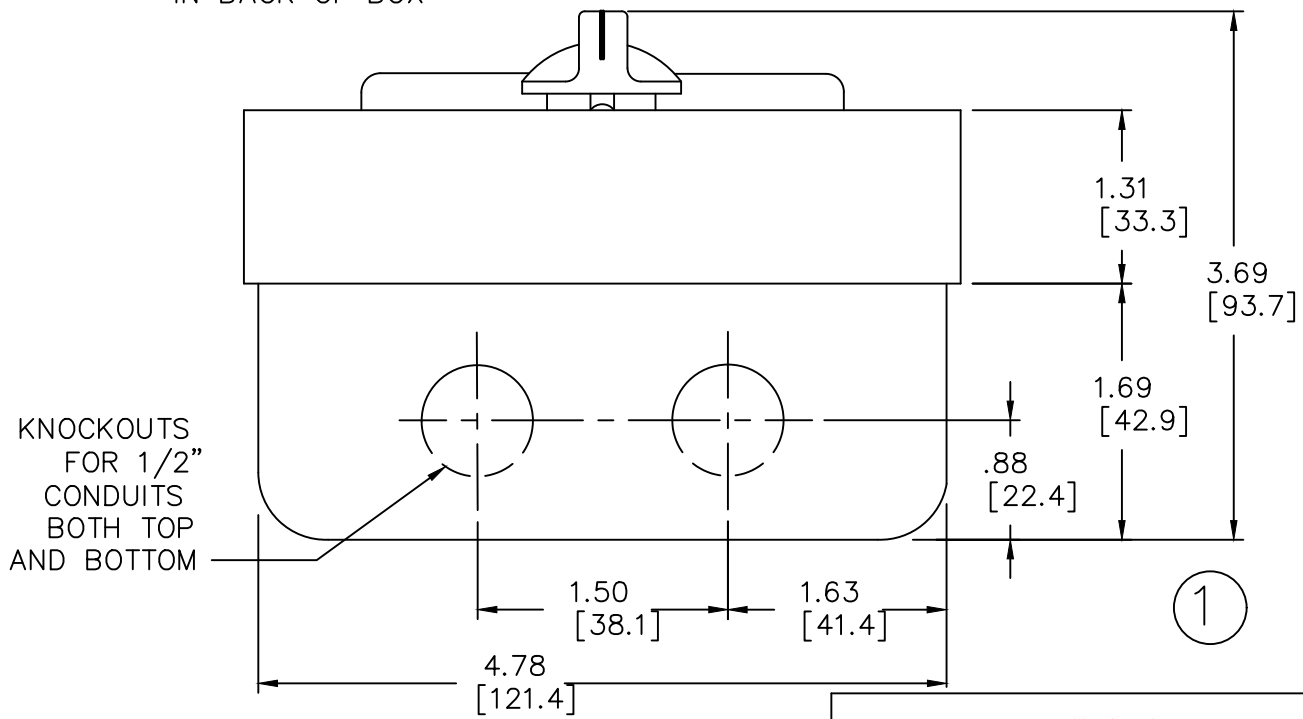
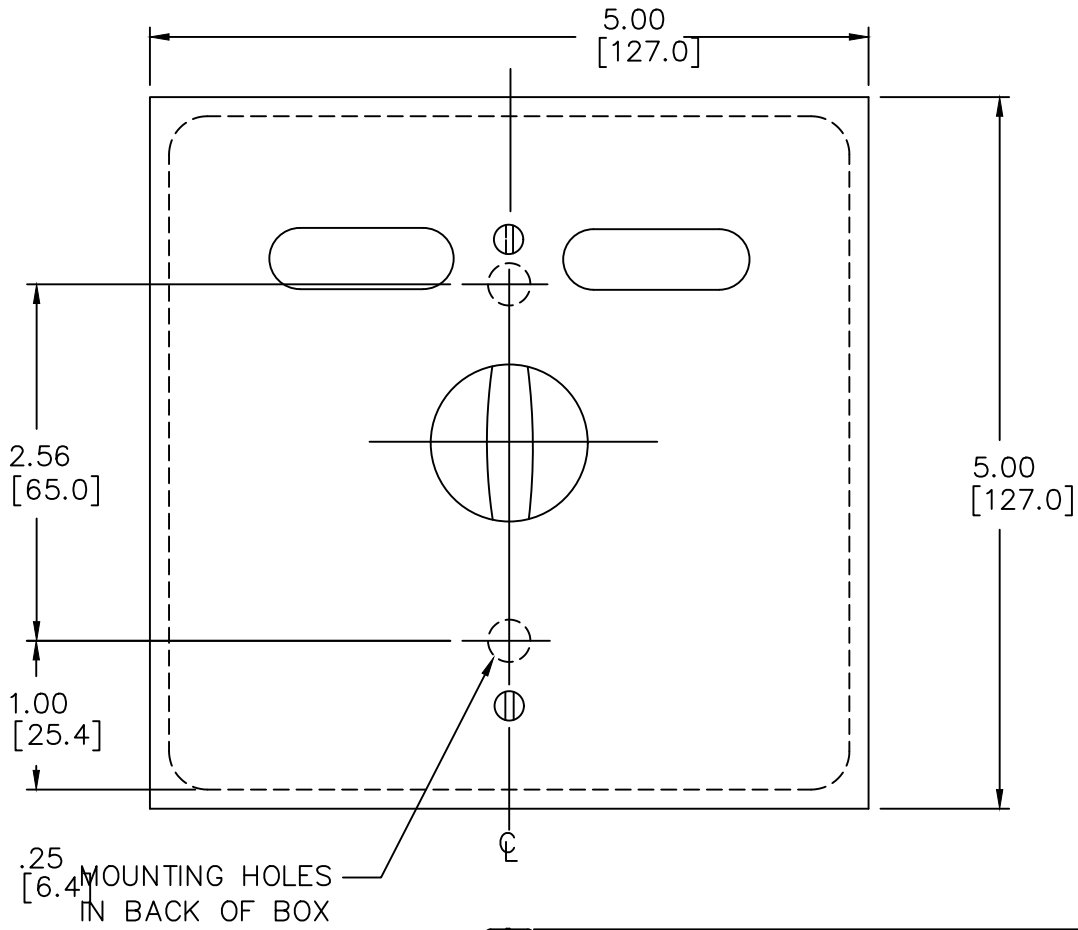


DUAL DIMENSIONS <sup>INCHES</sup> [MILLIMETERS] (ESTIMATING ONLY)



**ABB**

OUTLINE  
CR101

ABB NUMBER: 1SQC913402D0201

THIRD ANGLE	SHEET#	DWG NO.	DATE	REV
	1 of 1	55-164330	04/25	D