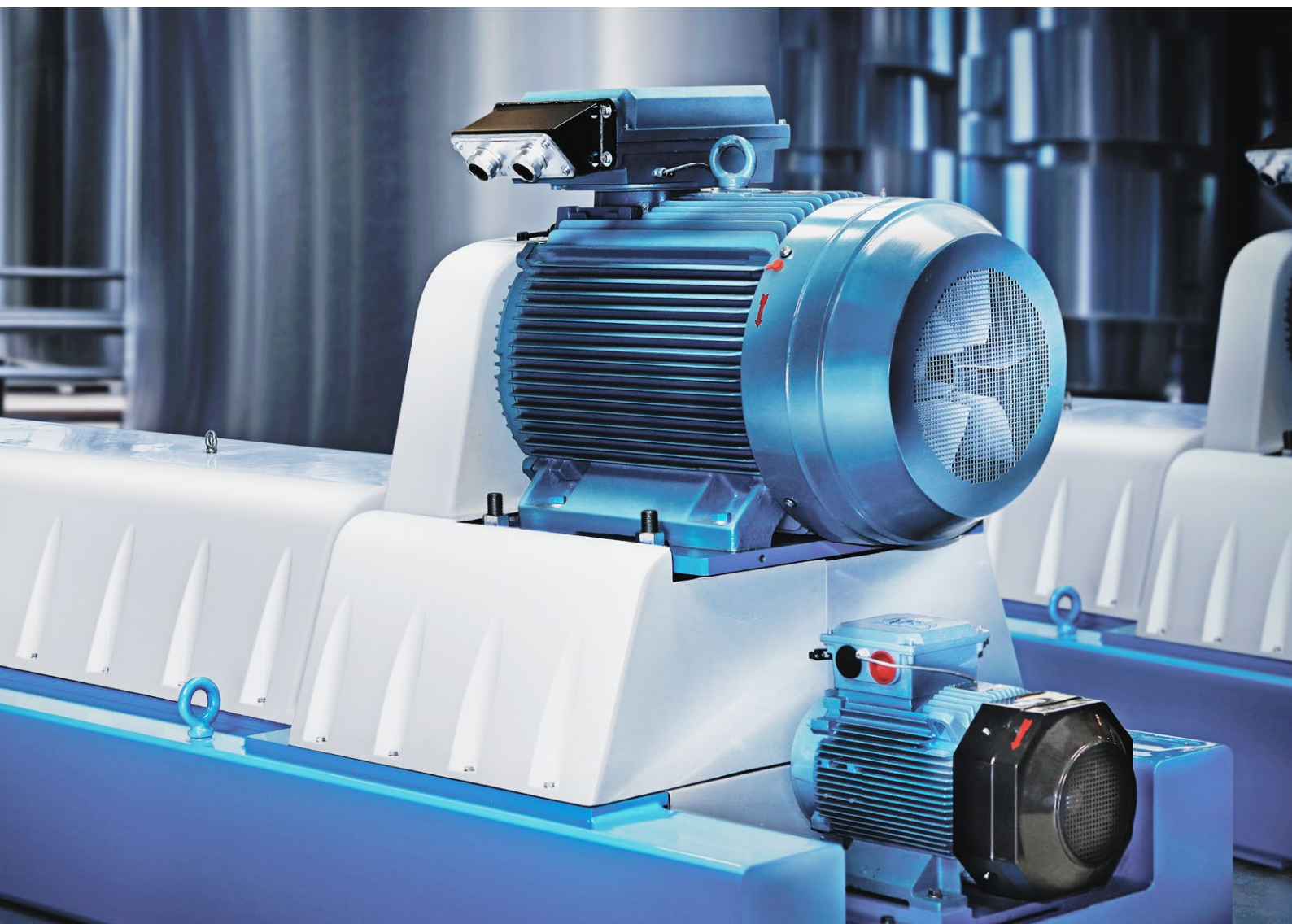

ABB DRIVES AND MOTORS

Precise speed difference and balanced power consumption for decanter centrifuge

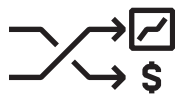


Reliability. Productivity. Efficiency. Safety. Everything counts.

Whether you are producing juice, wine, beer or edible oil, our extensive portfolio of drives, motors and automation products are the perfect solution for your decanter.

Consistent decanting

Our drives deliver the torque needed, helping you avoid process interruptions caused by insufficient torque. They also ramp up the acceleration, which reduces mechanical stresses.



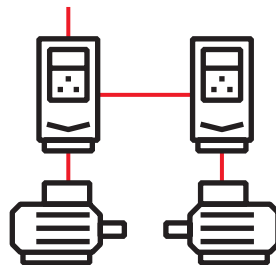
Non-stop decanting

Our dependable and reliable drives and motors will help you keep the bowl and screw in precise control, day after day.



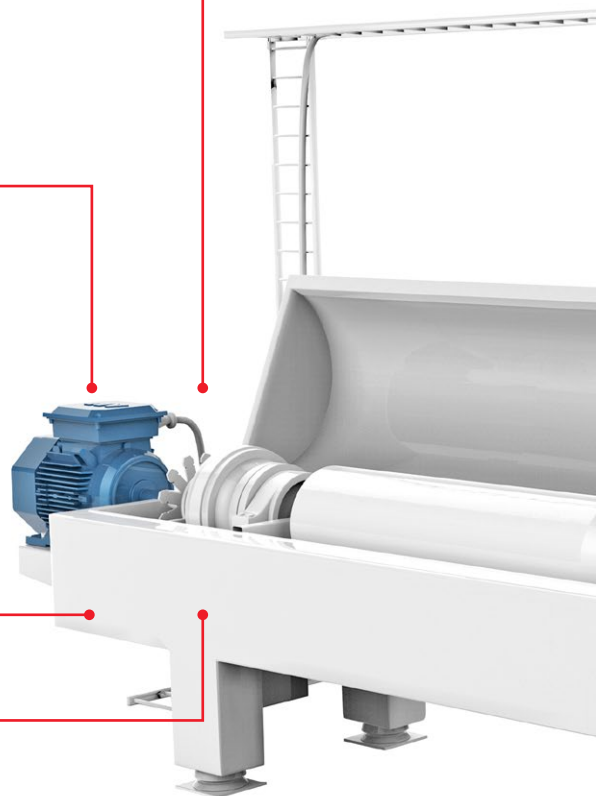
Efficient decanting

Capture and reuse screw braking energy with a common DC application for improved energy savings.



Safe decanting

Improve decanter safety with safe torque off (STO) as standard. The encoderless safety functions module offers Safely-limited speed (SLS) to prevent the motor from exceeding a specific speed limit.



We have a portfolio of global services to meet your needs

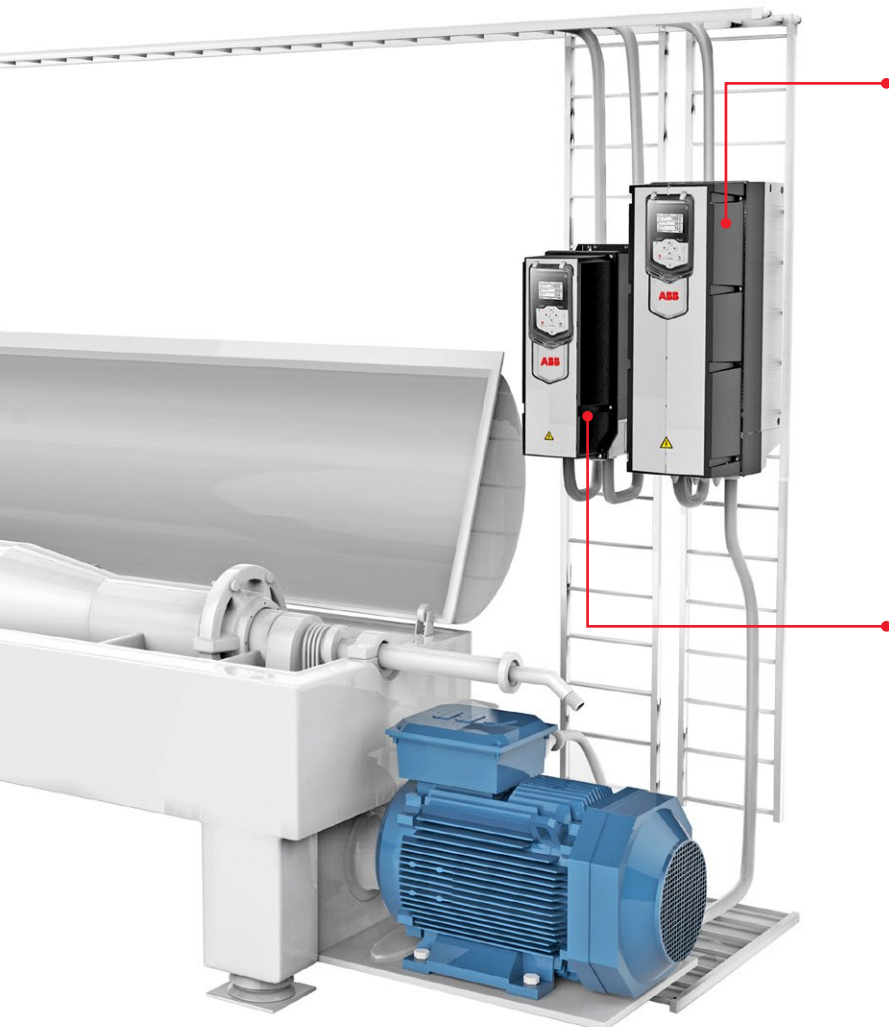
No matter where your decanters are installed or used, our wide channel partner network and global service is always local. You choose the services that fit your needs, from classroom training to customized Drive Care contracts.



—
Torque control, accuracy, reliability, everything counts to keep your decanter running smoothly and efficiently.

Improve the speed difference control between the bowl and the screw with decanter control program of a drive.

When the recipe needs more complex control, our PLCs and operator panels along with Automation Builder software allow you to develop any range of control needed.



—
The ready-made, decanter-specific program in a drive is designed to perform practical programmable sequences in the separation process.

The control program lets you control the speed differences in a two-shaft decanter, which affects the composition of the end product and speeds up the process. In addition, the control program has valuable features for maintenance work and for cleaning the decanter.

—
Use the rotational forces efficiently.

- The decanter control program has ability to use common DC functionality when several drives are used. This enables power to flow from the screw drive to the bowl drive equalizing the energy consumption of the drives.
- By connecting the drives with a common DC application you are able to reduce the need for low voltage main circuit components and simplify electrical installation.
- The drive's direct torque control (DTC) ensures accurate decanter control, even at high starting torque and across the entire speed range.

—
For more information, please contact
your local ABB representative or visit

abb.com/drives
abb.com/drivespartners
abb.com/drives/segments/food-and-beverage
abb.com/motors

Additional information

We reserve the right to make technical changes or modify the contents of this document without prior notice. With regard to purchase orders, the agreed particulars shall prevail. ABB does not accept any responsibility whatsoever for potential errors or possible lack of information in this document.

We reserve all rights in this document and in the subject matter and illustrations contained therein. Any reproduction, disclosure to third parties or utilization of its contents – in whole or in parts – is forbidden without prior written consent of ABB.

© Copyright 2018 ABB. All rights reserved.
Specifications subject to change without notice.

