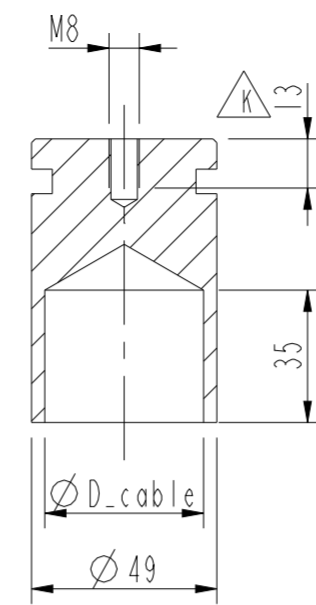
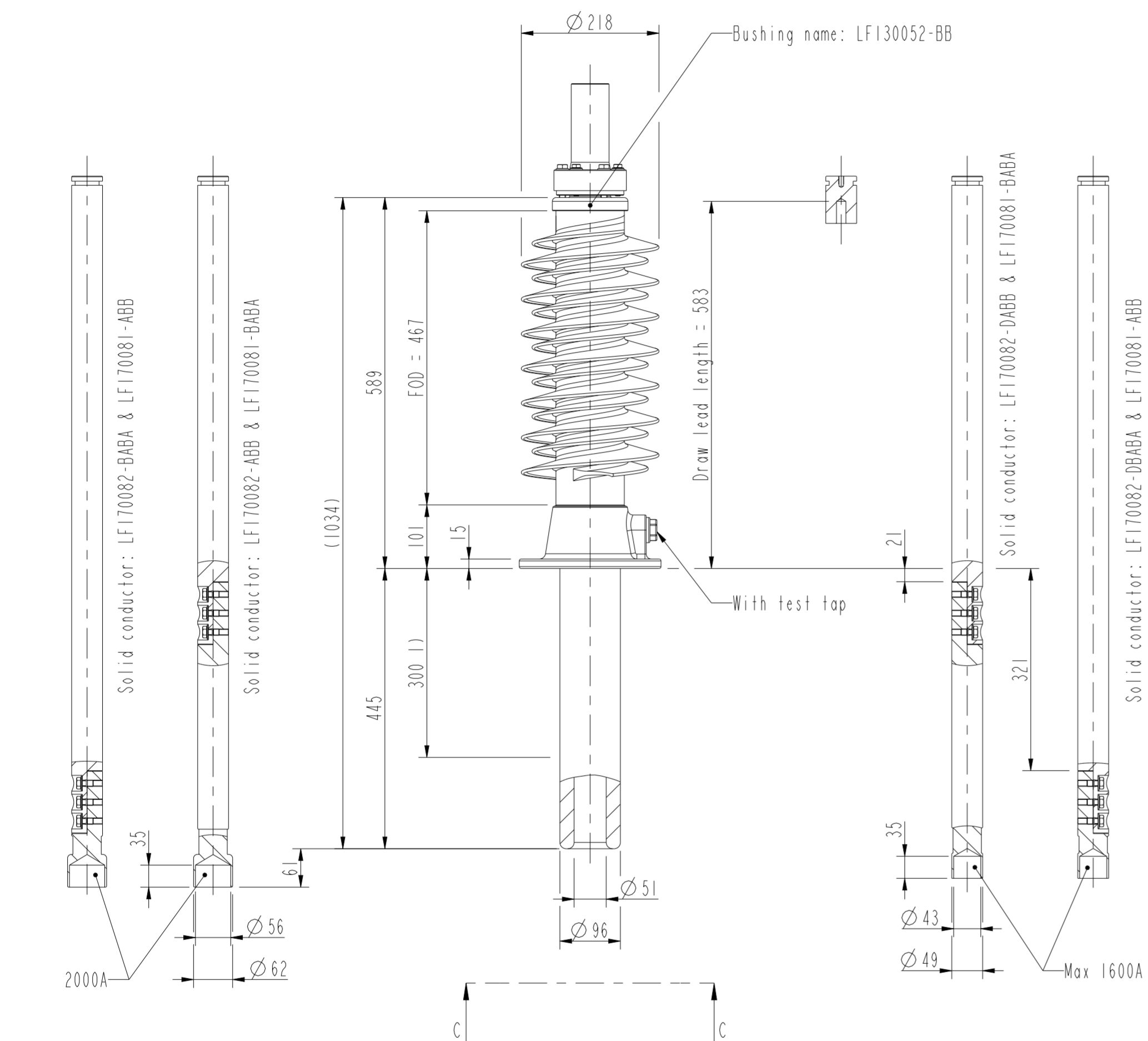


This document is issued by means of a computerized system. The digitally stored original is electronically approved. The approved document has a date entered in the "Approved"-field. A manual signature is not required.

Revision: K Dimension updated.

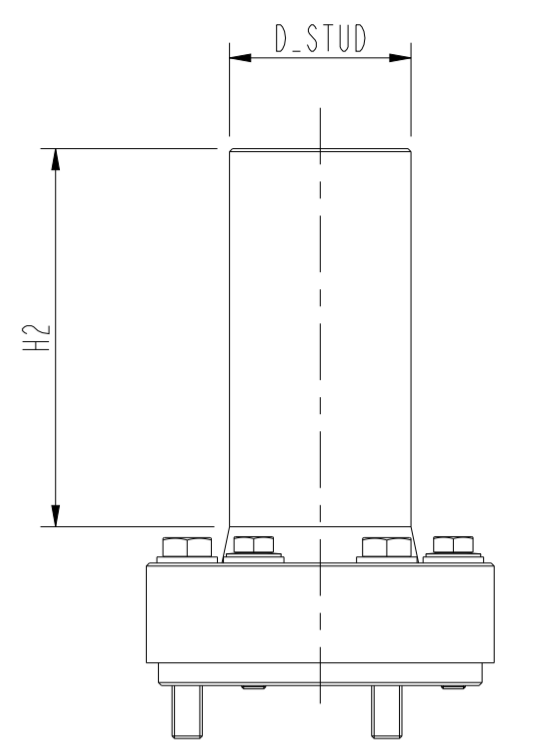


Outer terminal				
Catalog No	MATERIAL	MASS	H2	D_STUD
LF170079-A	Al	2,3	125	60
LF170079-B	Al	1,5	125	30
LF170079-C	Cu	6,1	125	60
LF170079-D	Cu	3,5	125	30
LF170079-E	Cu/Sn	6,1	125	60
LF170079-F	Cu/Sn	3,5	125	30
LF170079-G	Cu/Ag	6,1	125	60
LF170079-H	Cu/Ag	3,5	125	30
LF170079-K	Cu	4,5	150	40
LF170079-L	Cu	3,2	75	M30x2
LF170079-M	Cu/Sn	4,1	125	38
LF170079-N	Cu/Sn	3,3	125	26
LF170079-P	Cu/Ag	3,2	125	1 1/8" UNF
LF170079-R	Al	2,3	140	60
LF170079-S	Cu/Sn	4,1	125	1 1/2" UNF
LF170079-AD	Cu/Ag	3,7	80	40
LF170079-AE	Cu	3,7	80	40
LF170079-AF	Cu/Ag	5,0	125	2"-12 UNF

Inner terminal	
Catalog No	D_CABLE
LF170080-A	5
LF170080-B	11
LF170080-C	13
LF170080-D	15
LF170080-E	18
LF170080-F	30
LF170080-G	42
LF170080-H	45
LF170080-K	26
LF170080-L	34
LF170080-N	20

Solid conductor, upper	
Catalogue No	MASS
LF170081-BABA	11,5
LF170081-ABB	16,5

Solid conductor, lower	
Catalog No	MASS
LF170082-BABA	1,8
LF170082-ABB	6,8
LF170082-DBABA	1,4
LF170082-DABB	6,4



DENOMINATION according to CLC/TS 50458:2006
52/250/1250-E300

ELECTRICAL DATA acc. to IEC 60137

Ratings	Rated voltage	52	kV
	Rated phase-to-earth voltage	30	kV
	Max. phase to earth voltage, temporary	52	kV
	Max. current with Cu-conductor	2000	A
	Max. current with stranded cable 740 mm ²	1250	A
	Dry lightning impulse	250	kV
	Wet power frequency	95	kV
Routine test	Dry power frequency	120	kV
Capacitance	Nominal capacitance	420	pF

GENERAL DATA

Silicone rubber insulator	Creepage distance	1642	mm
	Protected creepage distance	700	mm
	Color	Light gray	ANSI 70
Mass	Bushing	14	kg
Cantilever load	Cantilever test load, according to IEC 60137	4000	N
	Max. cantilever operating load, bushing	2000	N
Ambient air temperature		-50 to +40	°C
Mounting and service instructions		2750515-115	

ELECTRICAL DATA acc. to ANSI C57.19.00

Ratings	Insulation class	46	kV
	Rated max. line to ground voltage	29	kV
	Max. current with Cu-conductor	2000	A
	Max. current with stranded cable 740 mm ²	1250	A

Dim. requirements acc. to C57.19.1 not fulfilled

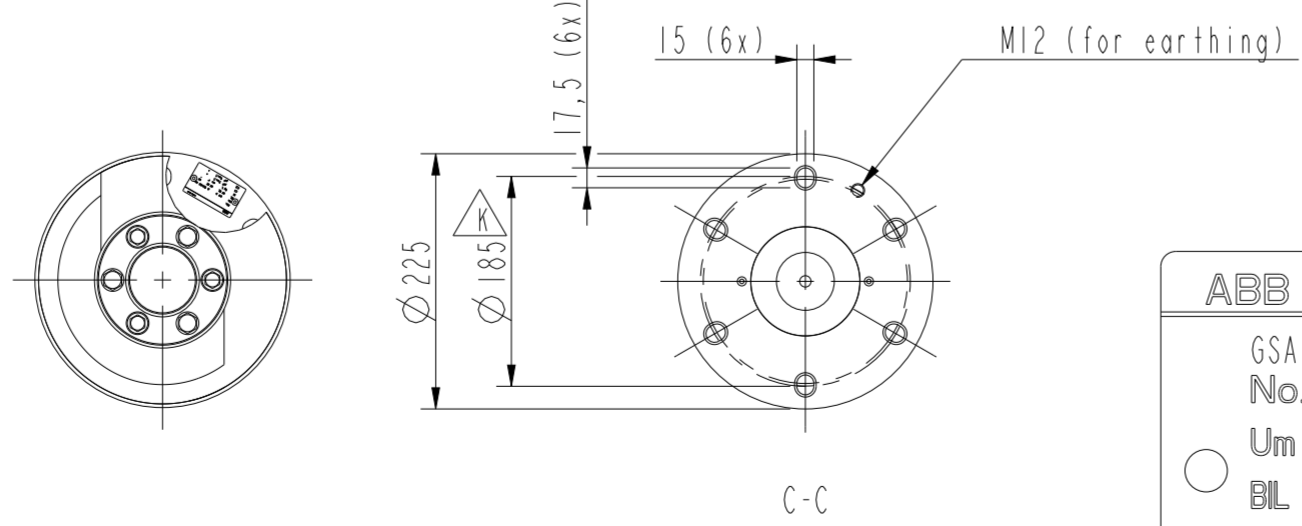
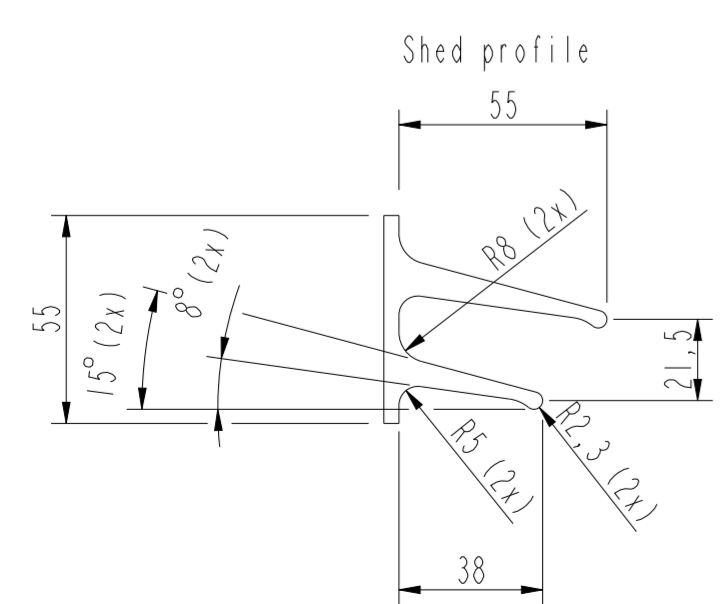


ABB Ludvika, Sweden

GSA 52-OA 2000/0.3 LF130052-BB
No.

Um 52 kV Ir2000 A 50/60 Hz
BIL 250 kV SIL - kV AC 120 kV
M 14 kg L 445 mm \sphericalangle 0-90°

C1 pF Tan δ x
C2 pF Tan δ x

Approved 2020-03-27	Document Kind Outline Drawing	Based on doc. id	Work order id	Project id
Company ABB Technology Ltd	Title, Supplementary title Dimension drawing GSA 52-OA 2000/0.3			
Responsible Department SEABB-9AAE300824	Måttskiss GSA 52-OA 2000/0.3			
ABB	Document id 2751362-ABB	Status Released	Revision K	Iteration 1/1

1) Maximum space for wall and CT.