

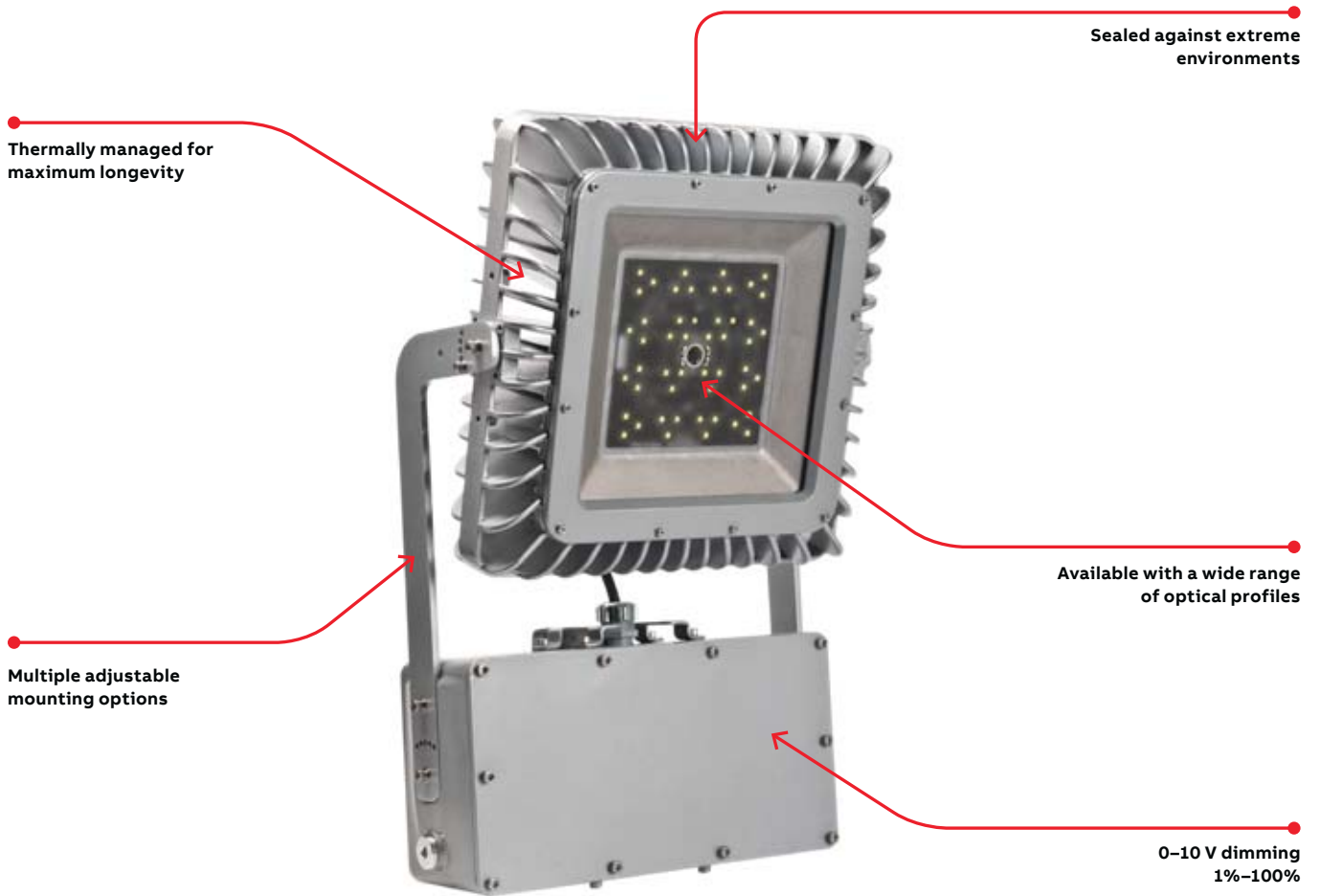
# HRS LED

An adjustable, adaptable and versatile LED luminaire to replace and exceed the performance of the traditional 400 W fixture in hazardous locations.

## CLASSIFICATION

CLASS I	
Division 2	Groups A, B, C, D
Zone 2	Groups IIC
CLASS II	
Division 2	Groups F, G
Zone 22	
CLASS III	

Contact your ABB sales representative to verify classification



## CERTIFICATIONS



Not all DL Series are DLC qualified. For all qualified products, please visit: [www.designlights.org/qpl](http://www.designlights.org/qpl)



UL 844  
UL 1598  
UL 1598A



## HRS LED

### Key features and benefits

#### Features

- Extremely robust
- Thermally managed for longevity
- Easy angle adjustment in the field
- Up to -40 °C to 55 °C ambient temperature range
- Lifespan up to 100,000 hours
- Sealed to IP66 and marine rated

#### Output

- 9908 to 28,560 lumens
- Standard 5000 K color temperature (additional color temperatures available)

#### CREE LEDs

- Proven reliability
- High efficacy
- Superior CRI (90+ available depending on color temperature and project requirements)

#### Light engine

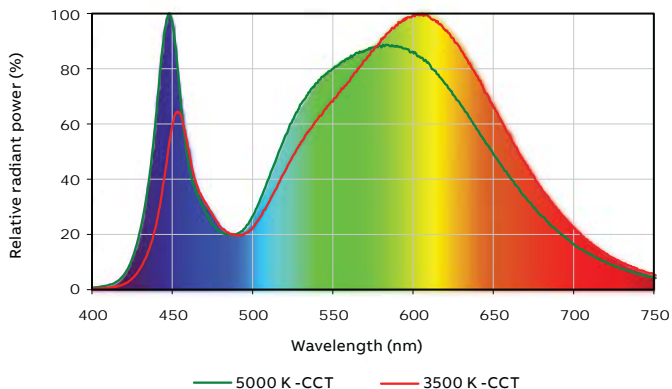
- Metal core printed circuit board with CREE LEDs
- Fault-tolerant and fail-over design ensures reliability and resilience to damage

#### Junction box

- Direct heat transfer from power supply to external case for optimal performance
- Plenty of wiring space for optional accessories
- Four ¾" NPT entries
- IP66 environmental protection

#### Color temperature

Available standard 5000 K, with additional color temperatures available from 2700 to 6500 K.



#### Applications

- High bay lighting
- Indoor lighting
- Tunnel lighting
- Industrial and hazardous location facilities
- Exterior/interior marine applications

#### Power supplies

- Built-in temperature control module
- Utilizes industry-leading LED drivers for high efficacy and long term durability for up to 100,000 hours of maintenance-free operation

#### Thermal management

- Ample surface area of head ensures LEDs are kept running at maximum efficacy, even in 55 °C environments
- Head is separate from junction box to further optimize thermal management
- Perimeter band adds ruggedness for hazardous locations and channels heat through fins with laminar flow principles



# HRS LED

## Key features and benefits

### Bracket

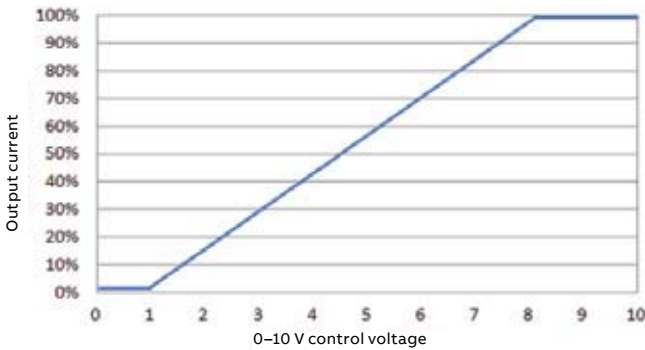
- Versatile bracket allows ceiling surface-mount and wall pack style mounting
- Standard with every high bay and wall pack version
- 2 3/8" Pole mount available

### Housing

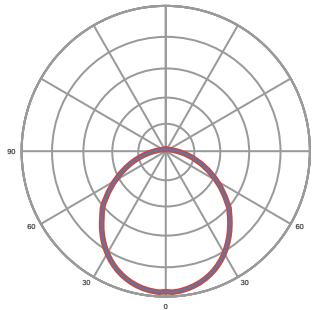
- Copper-free high pressure die-cast aluminum fixture head and box
- Polyester powder coating for protection
- Additional four 1/4"-20 mounting holes on back of head for custom applications

### Optic options

Driver will source a maximum of 200 uA for control needs. A controller must sink current from 0–10 V control leads.

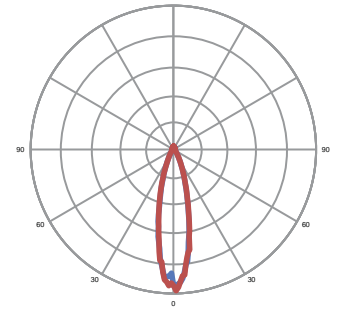


### Optic options (standard offering)



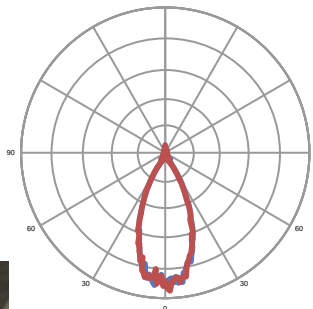
#### WF - Wide beam (no optics)

Model	Lumens
HRS10	11000
HRS15	16420
HRS20	18557
HRS25	25112
HRS30	28560



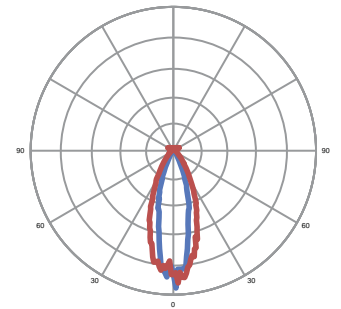
#### N - Narrow 25°

Model	Lumens
HRS10	9908
HRS15	14780
HRS20	18140
HRS25	-
HRS30	-



#### M - Medium 40°

Model	Lumens
HRS10	9908
HRS15	14780
HRS20	18140
HRS25	-
HRS30	-

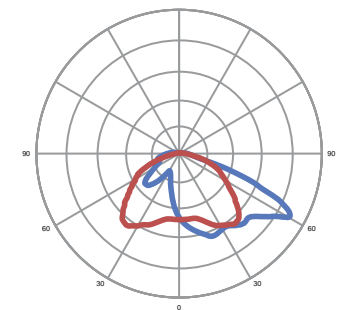


#### O - Oval 27° x 42°

Model	Lumens
HRS10	9908
HRS15	14780
HRS20	18140
HRS25	-
HRS30	-

### 2 - IESNA Type 2

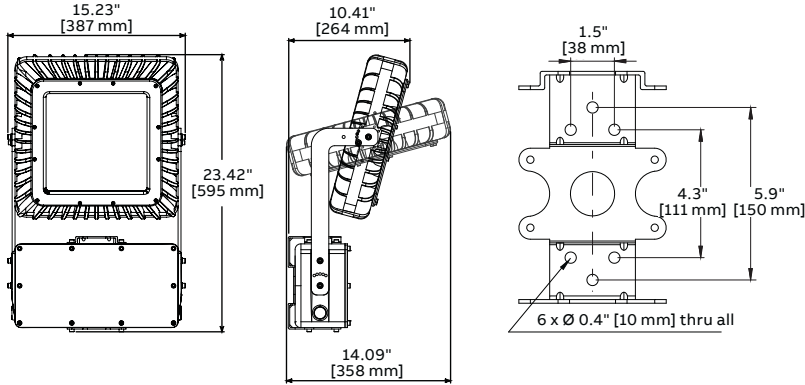
Model	Lumens
HRS10	9908
HRS15	14780
HRS20	18140
HRS25	-
HRS30	-



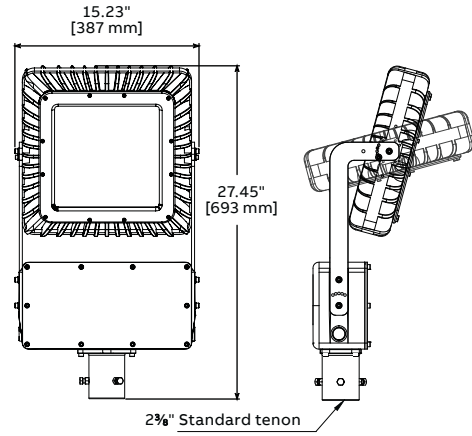
# HRS LED

## Mounting options

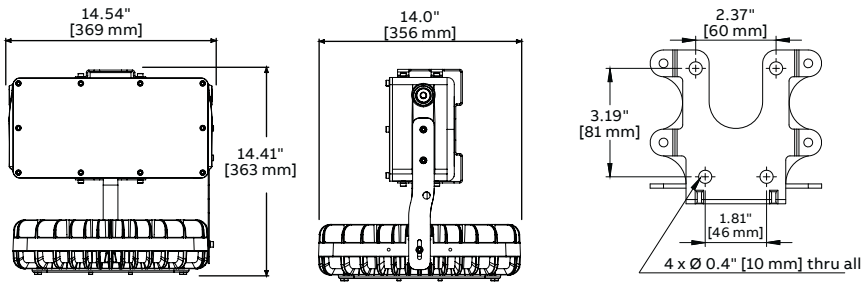
### Wall mount 16.3 kg | 36 lbs



### Pole mount 16.3 kg | 36 lbs

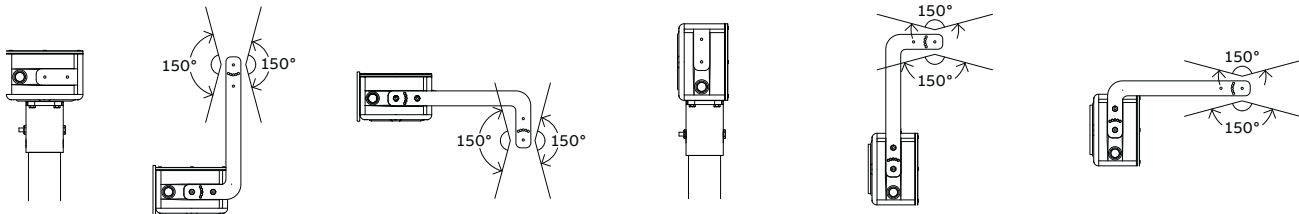


### High bay 16.3 kg | 36 lbs



### Adjustable brackets

Class II Division 2 orientations unable to be any further upwards than perpendicular to the horizon.



## HRS LED

### Numbering system



#### Lighting fixture

HRS30	WF	GY	CW	WL	AC	HL	U
<b>1</b>	<b>2</b>	<b>3</b>	<b>4</b>	<b>5</b>	<b>6</b>	<b>7</b>	<b>8</b>

#### 01. Lighting fixture

Part	Part number	Description
<b>1</b> Model	<b>HRS10</b>	11000 Lumens
	<b>HRS15</b>	16420 Lumens
	<b>HRS20</b>	18557 Lumens
	<b>HRS25</b>	25112 Lumens
	<b>HRS30</b>	28560 Lumens
<b>2</b> Optic	<b>WF</b>	Wide (no optic)
	<b>M</b>	Medium 40° *
	<b>N</b>	Narrow 25° *
<b>3</b> Finish	<b>GY</b>	Gray
<b>4</b> Color	<b>CW</b>	Cool white (5000 K)
<b>5</b> Mount	<b>WL</b>	Wall mount
	<b>PL</b>	Pole mount
	<b>HB</b>	High bay
<b>6</b> Power	<b>AC</b>	120–277 V AC
	<b>HV</b>	347–480 V AC
<b>7</b> Location	<b>HL</b>	Hazardous location
<b>8</b> Market		Canadian market
	<b>U</b>	US market

\* Not available for HRS25 and HRS30