

— S200(L), SZ200, SC200, S200M

End of Life Instruction

Decommissioning instructions available to enable responsible recycling or disposal



PREPARED 2023-05-05 Stefan Michel	DOCUMENT KIND EoL Instructions	SECURITY LEVEL Public		
OWNING ORGANIZATION ABB - ELSB	DOCUMENT ID. 9AKK108468A3132	REV. A	LANG. en	PAGE 1/5

Contents

- 1. Purpose and Basic Description3**
- 2. Dismantling instructions3**
 - 2.1. More than 1 pole product:.....3
 - 2.2. 1 pole product:.....3
- 3. Constituent materials5**
- 4. Additional Information.....5**

1. Purpose and Basic Description

This product family is in the scope of European Union directive 2012/19/EU on Waste Electrical and Electronic Equipment (WEEE). The product family must be disposed according to the legislation of the country. This end-of-life instruction is intended for use by customers and recycling companies which outline the responsible recycling or disposal method of the ABB product.

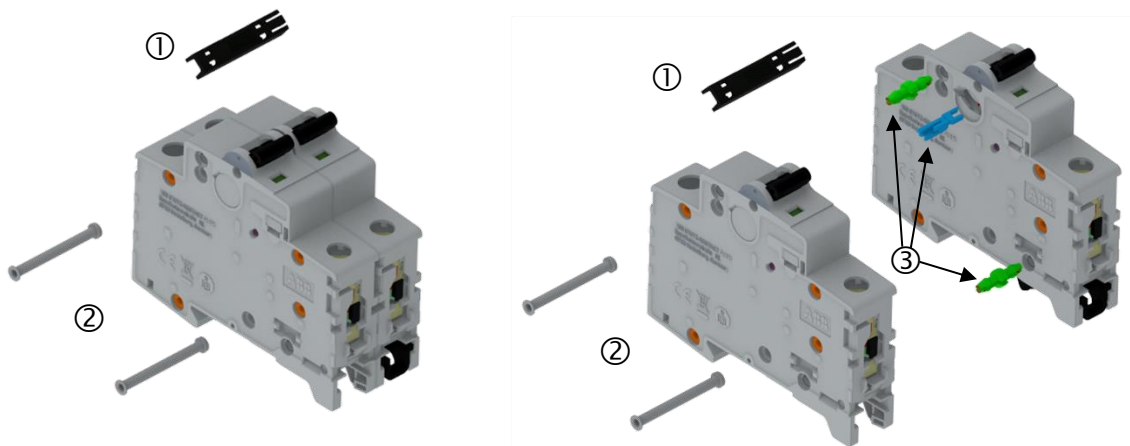
S200 MCB is designed to be used in installations where medium breaking capacities are required to protect against short-circuits and overloads.

2. Dismantling instructions

2.1. More than 1 pole product:

In case of more than 1 pole, first, the handle toggle⁽¹⁾ and the two marked rivets⁽²⁾ should be removed to split the product into simple poles.

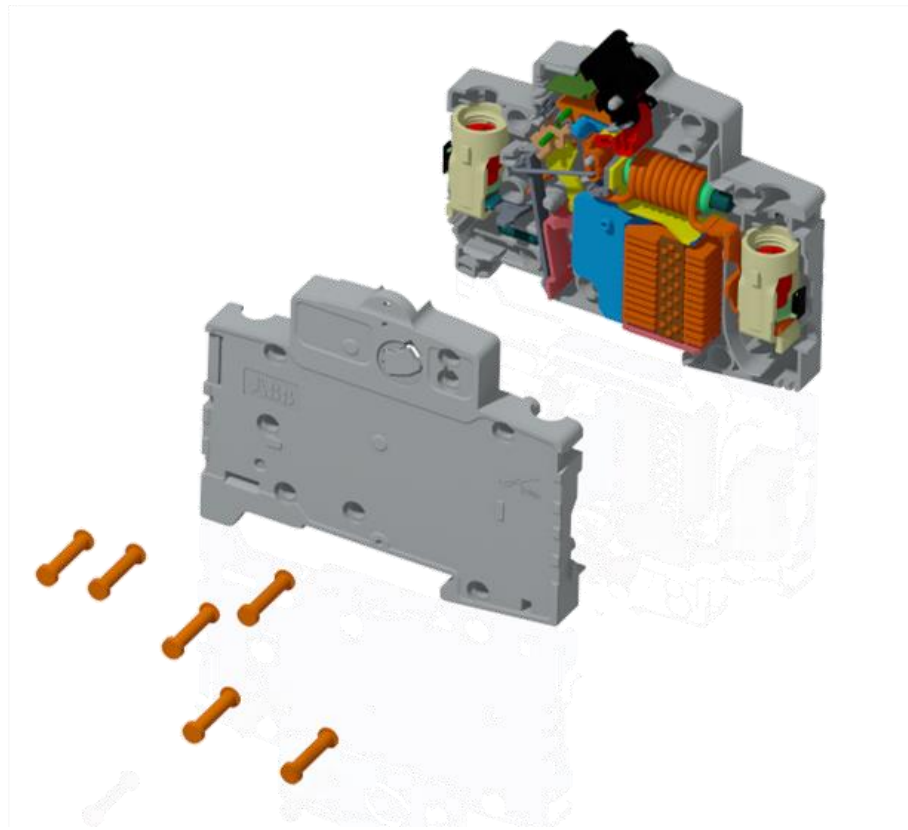
*Then, there are some intermediate pieces that can then be easily removed⁽³⁾.



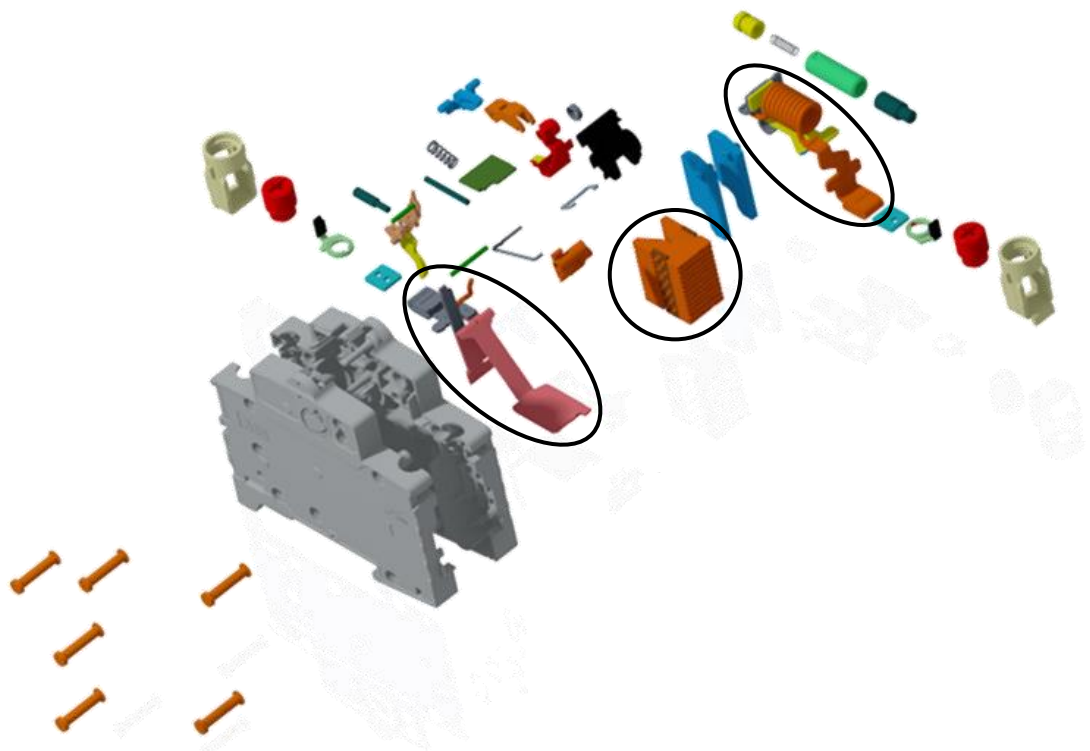
2.2. 1 pole product:

On that point, all single poles will be dismantling on the same way.

Firstly, remove the rivets (only 4 rivets left in products of more than 1 pole), then you will be able to take out the cover and access to all the internal parts.



The different parts will be extracted until reaching the configuration of the figure below.



*Rounded parts have soldered or riveted pieces that cannot be manually disassembled.

3. Constituent materials

S200(L), SZ200, SC200

Plastics		Metals		Packaging	
PA6	27.7%	Steel	40.6%	Cardboard	8,4%
PA66	2.3%	Copper	6.8%	Others	0.1%
POM	1.3%	Aluminum	2.2%		
Others	0.6%	Others	0.0%		

S200M

Plastics		Metals		Packaging	
PA66	29.4%	Steel	48.9%	Cardboard	8,3%
POM	1.3%	Copper	7.9%	Others	0.1%
Others	0.9%	Aluminum	2.2%		
		Others	1.0%		

*% of total weight for one pole.

4. Additional Information

S200(L), SZ200, SC200

Weight per Pole	127.6 g
Overall dimensions (H x D x W)	88 x 69 x 17.5 mm
Recyclability rate	87,8%

S200M

Weight per Pole	127.86 g
Overall dimensions (H x D x W)	88 x 69 x 17.5 mm
Recyclability rate	90,6%