



DEH44150

# Neutral Kit

TNK200



Hazards of electrical shock or burn! Turn off power before working inside this equipment.

## Used with:

200 Ampere ABB Double Throw Switches

## Introduction

This bulletin provides instructions for installing Neutral lug kit – TNK200.

## Description:

This neutral kit consists of the following parts:

1. One (1) Neutral assembly
2. Two (2) 10-32 X 1/4" mounting screws
3. One (1) Card for screw
4. One (1) 12-24 X 1-3/16" bonding screw

## Mounting Instructions:

1. Tighten item 2 (Mounting screws) in to mounting hole in the enclosure. Ref. Fig 1.
2. For bonding, insert item 4 (Bonding screw) through hole in neutral & thread screw in to tapped hole in mounting bracket of neutral assembly. Ref. Fig 2.

**Wire Range:** 6 -250MCM CU/AL

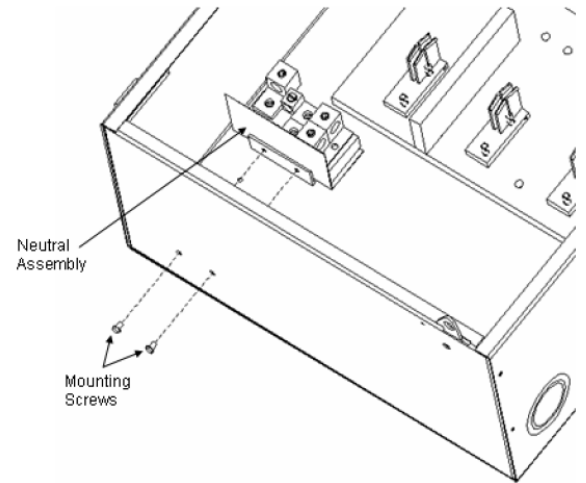


Fig. 1

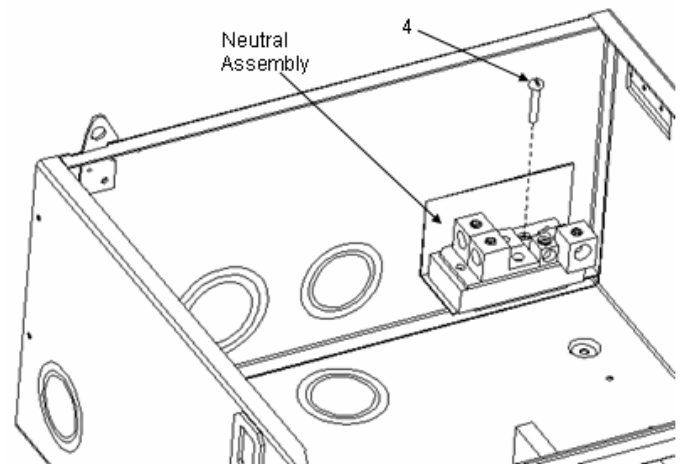


Fig. 2