

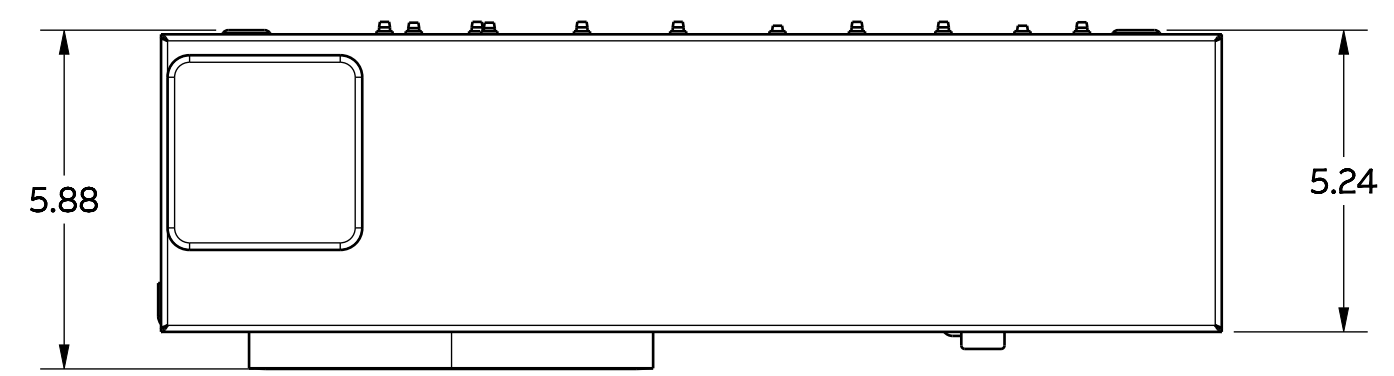
14

13

12

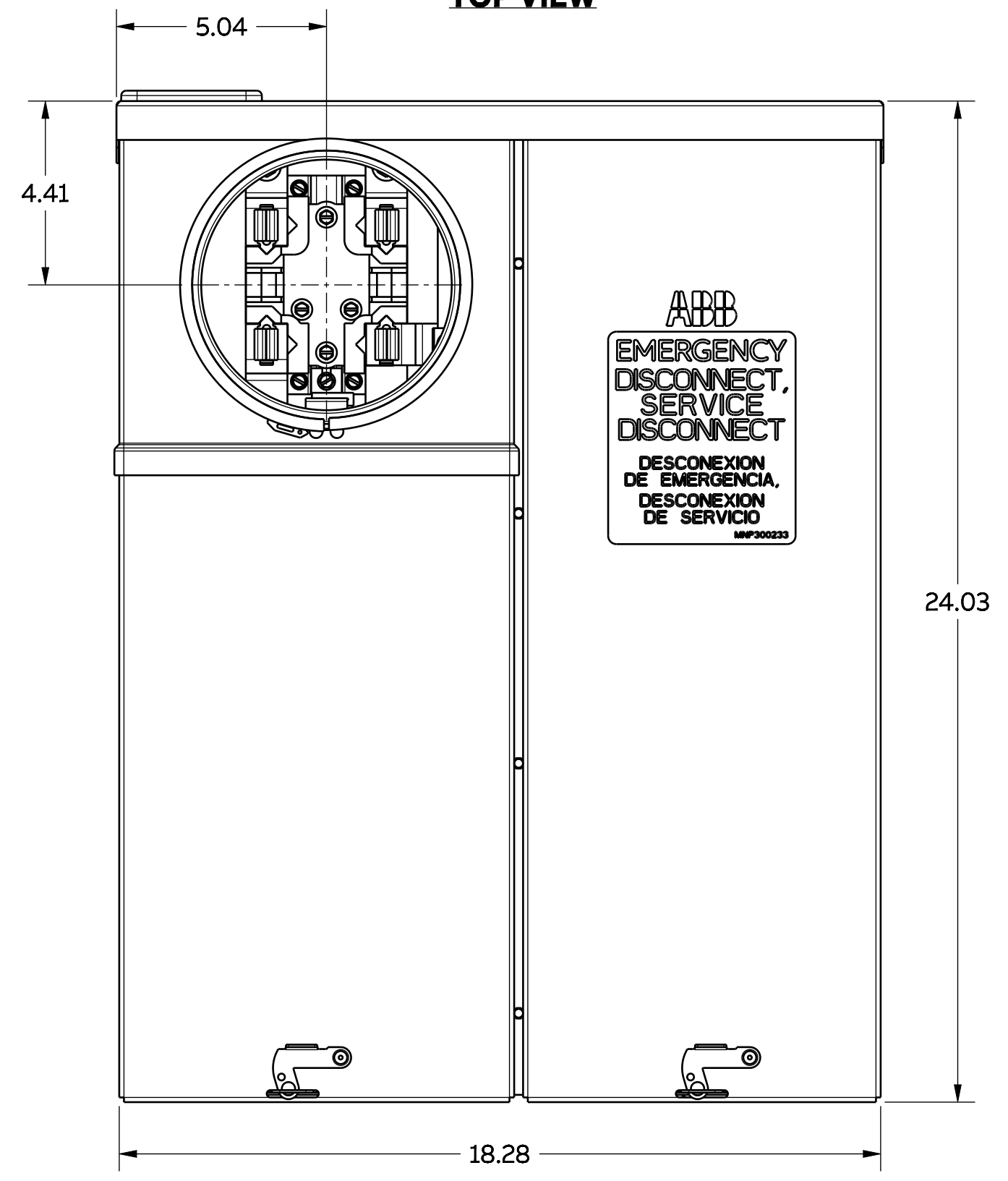
11

KNOCKOUT TABLE		
ITEM	DESCRIPTION	QTY
A	1/2" KO	3
B	1/2" X 3/4" X 1" KO	2
C	1/2" X 3/4" X 1" X 1-1/4" X 1-1/2" X 2" X 2-1/2" KO	4
D	1-1/4" X 1-1/2" X 2" X 2-1/2" X 3" KO	1

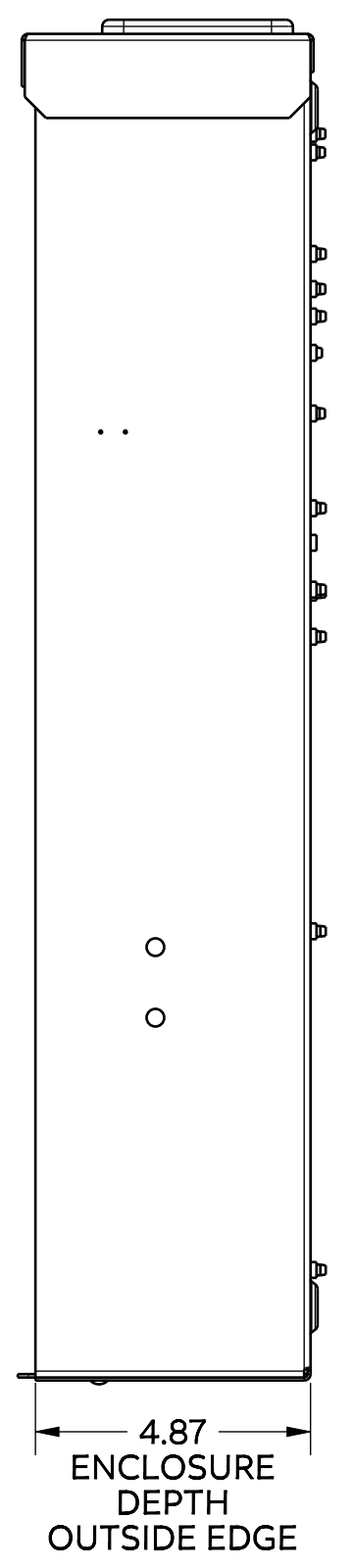


TOP VIEW

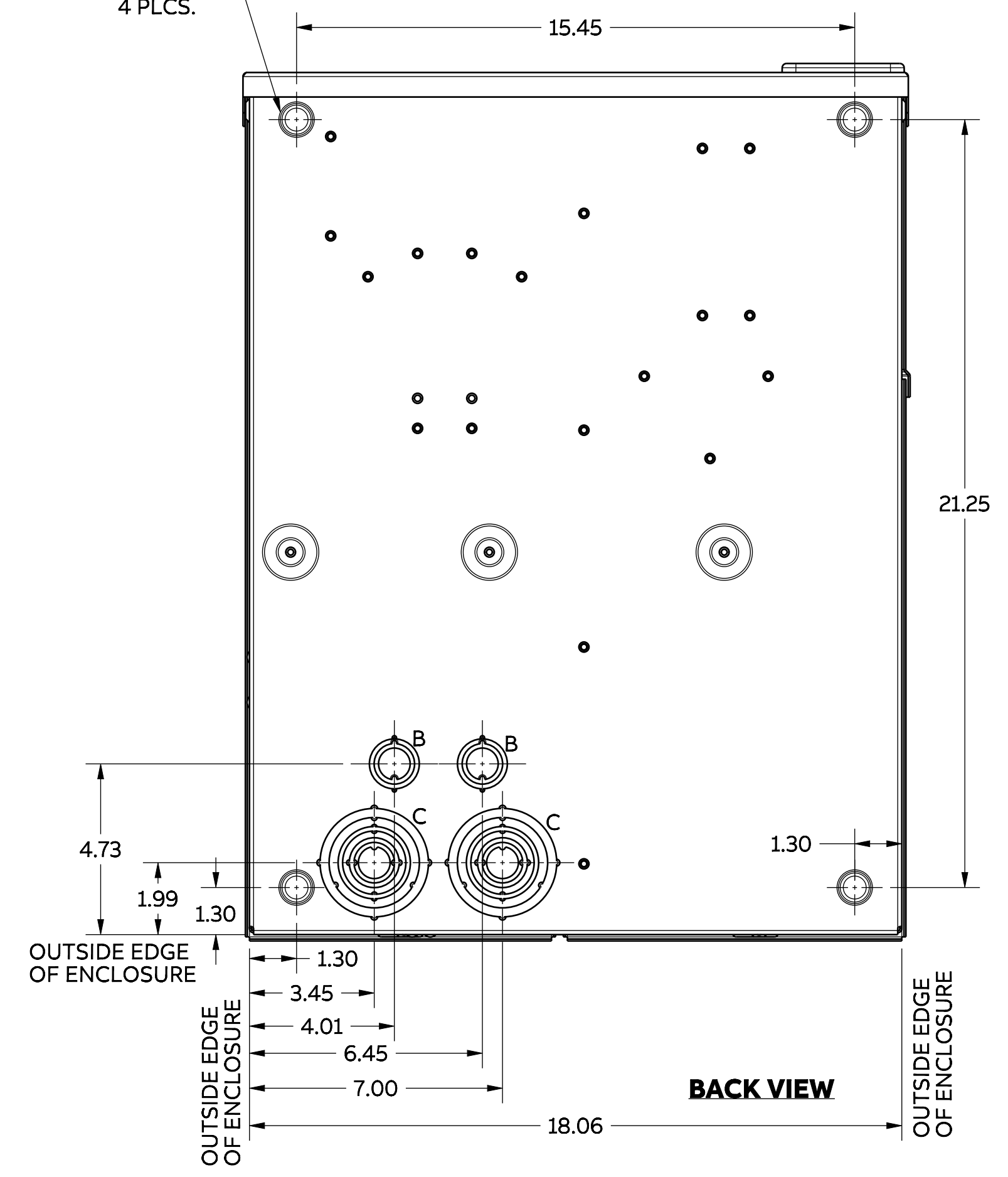
Ø.875 DIMLE UP  
Ø.25 HOLE  
FOR MOUNTING PURPOSES  
4 PLCS.



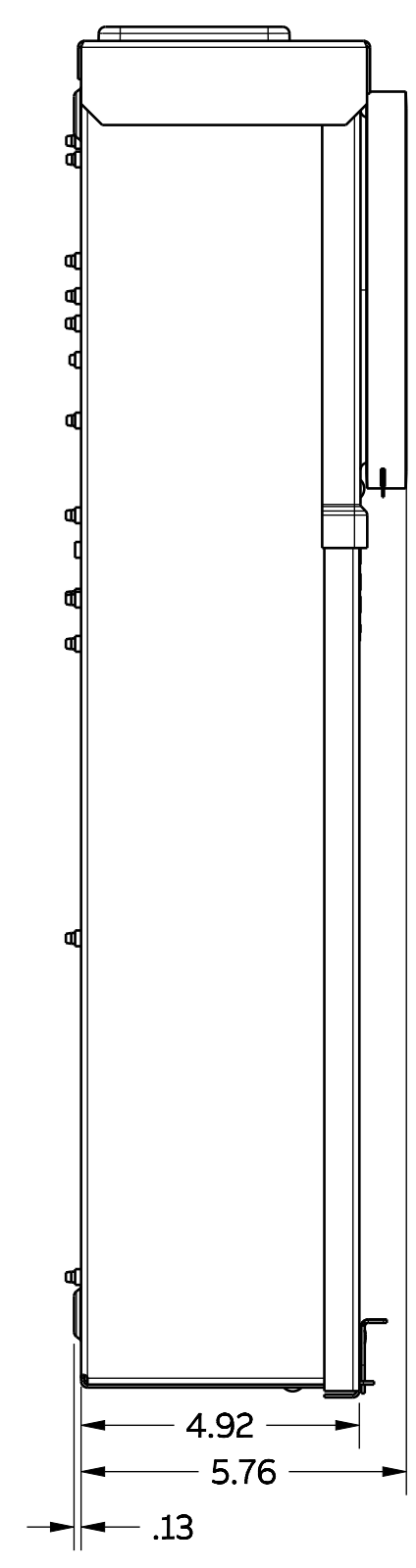
FRONT VIEW



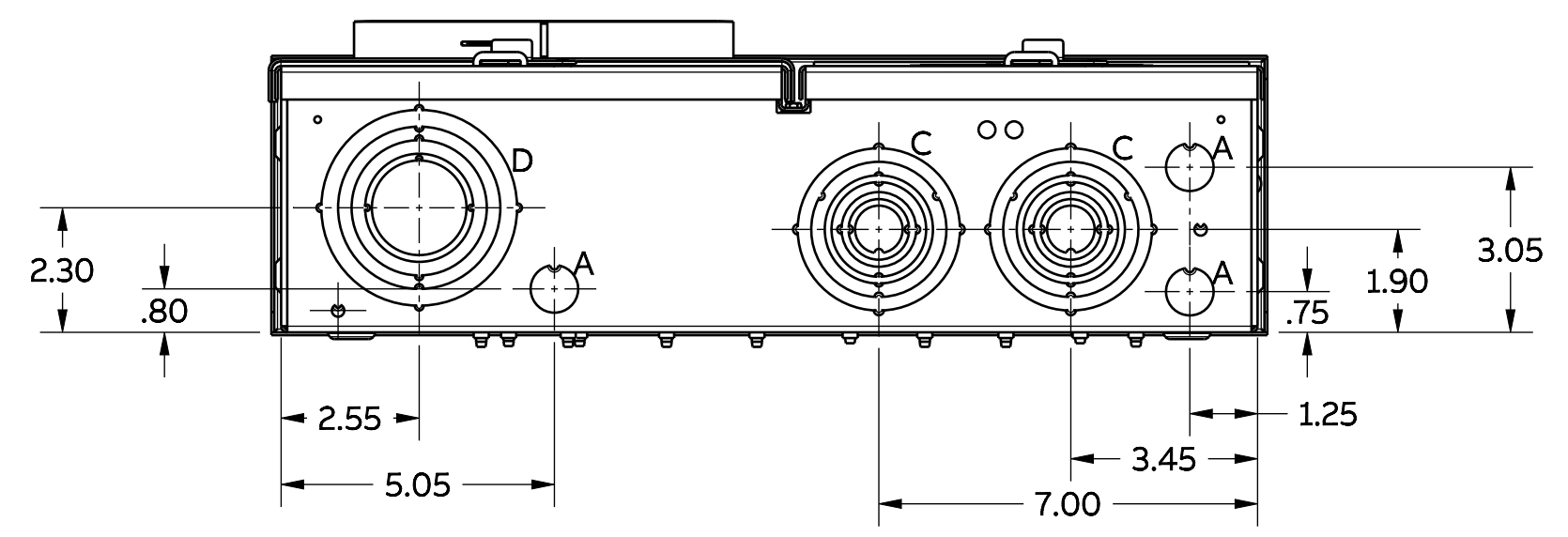
RIGHT VIEW



BACK VIEW



LEFT VIEW



BOTTOM VIEW  
(DIMENSIONS TO THE OUTSIDE EDGES OF THE ENCLOSURE)

**ABB**

**METER MAIN 125A EUSERC SOLAR RDY  
OUTLINE DRAWING**

THIRD ANGLE	SHEET#	DWG NO.	DATE	REV
	1 of 2	PM12RNC SRM01_OD	2026	A

14

13

12

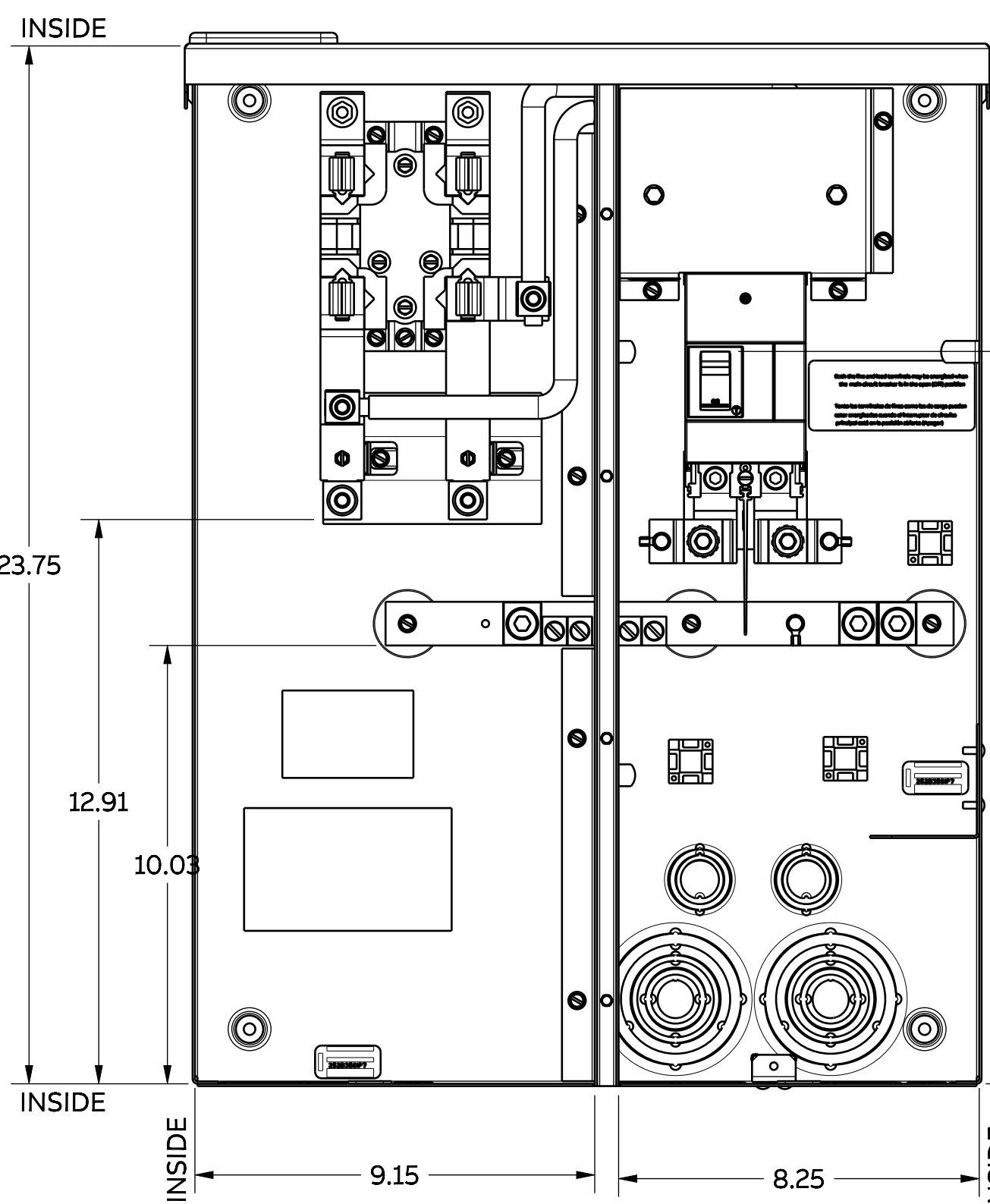
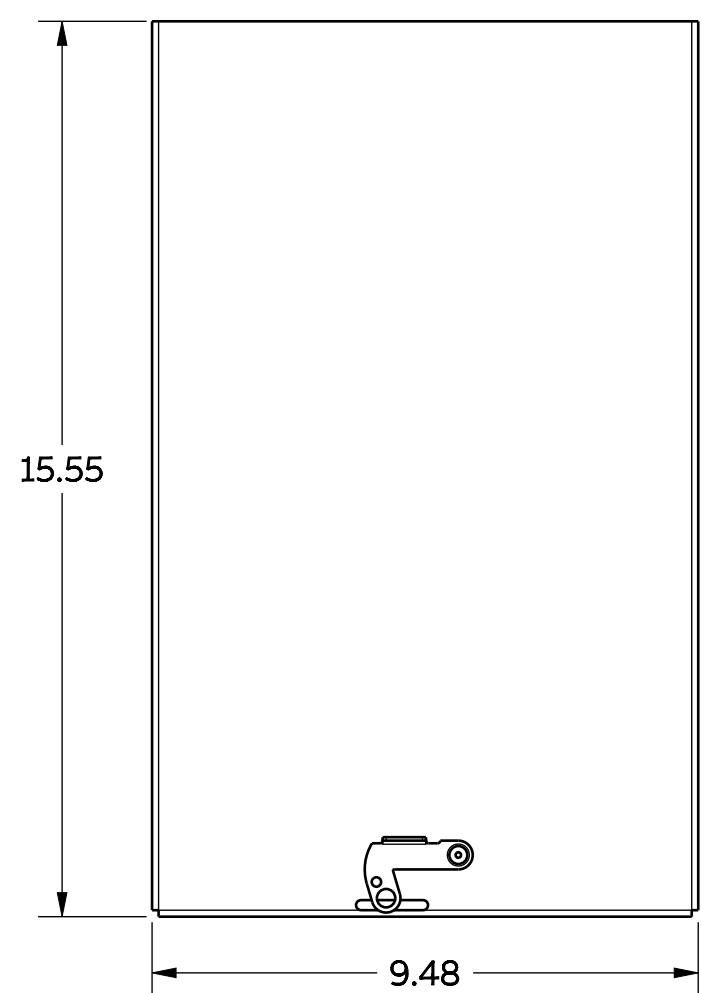
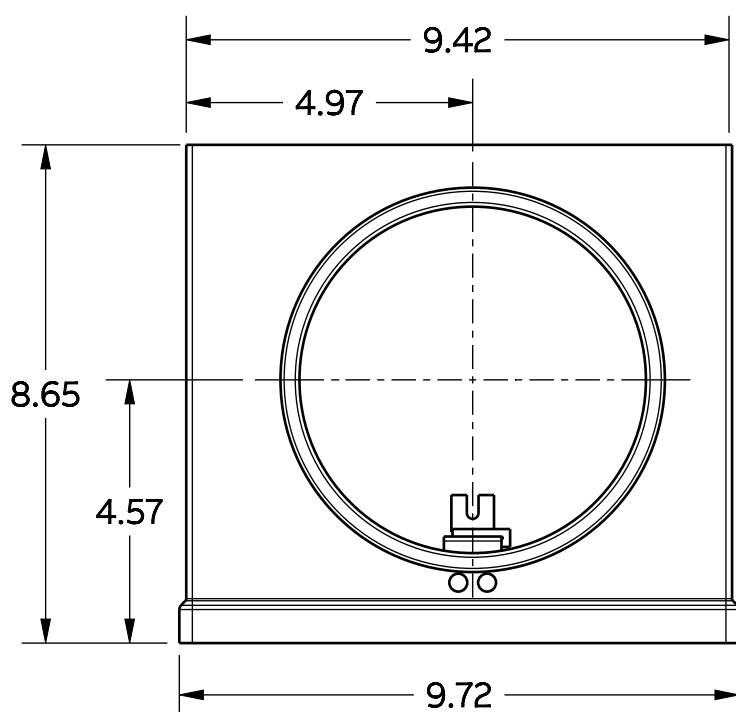
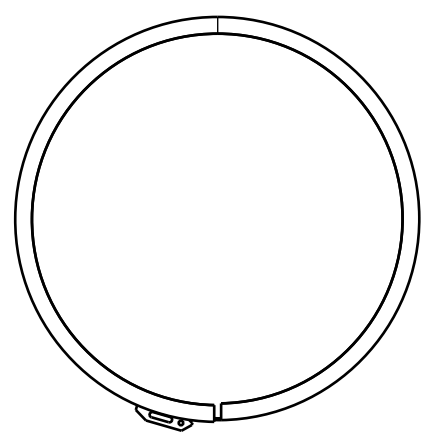
11

24

23

22

21



16.76  
BREAKER  
HANDLE  
HEIGHT

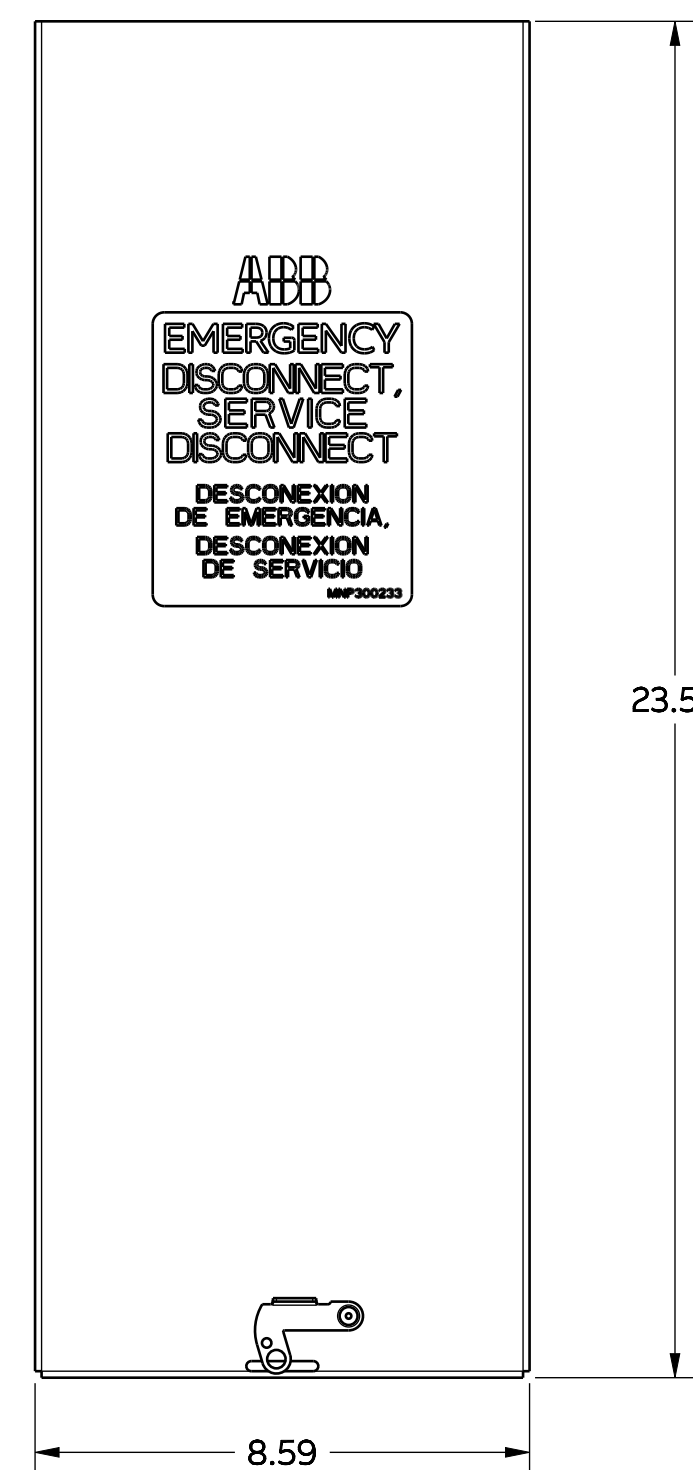
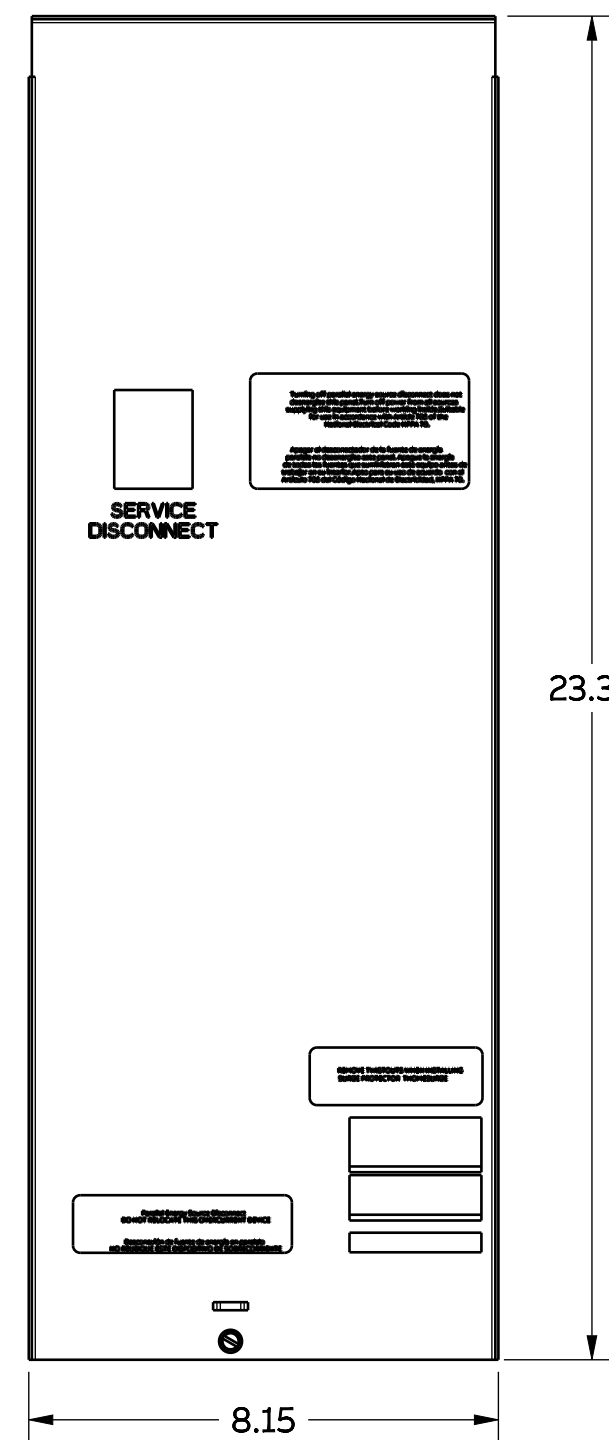


ABB  
EMERGENCY  
DISCONNECT,  
SERVICE  
DISCONNECT  
DESCONEXION  
DE EMERGENCIA,  
DESCONEXION  
DE SERVICIO  
MP300233

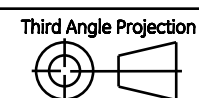
D

C

B

A

ABB PROPRIETARY AND CONFIDENTIAL INFORMATION  
The information contained in this document has to be kept strictly confidential. Any unauthorized disclosure of this information to third parties is strictly forbidden. ABB reserves all rights regarding Intellectual Property Rights. Copyright 2021 ABB. All rights reserved.



<b>ABB</b>		
SIZE C	NUMBER PM12RNCSR	REV A
SCALE 0.300	PRODUCT LINE METER MAIN	SHEET 2 of 2