

18

17

16

15

14

13

12

11

D

C

B

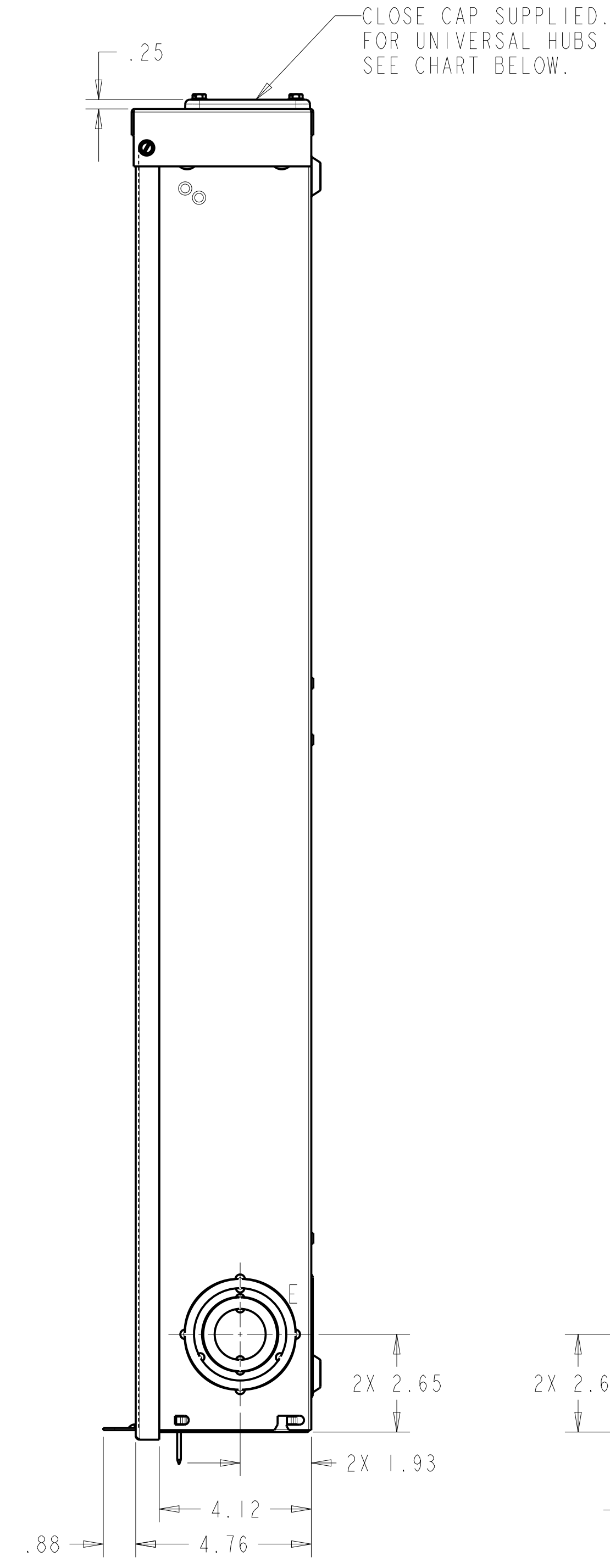
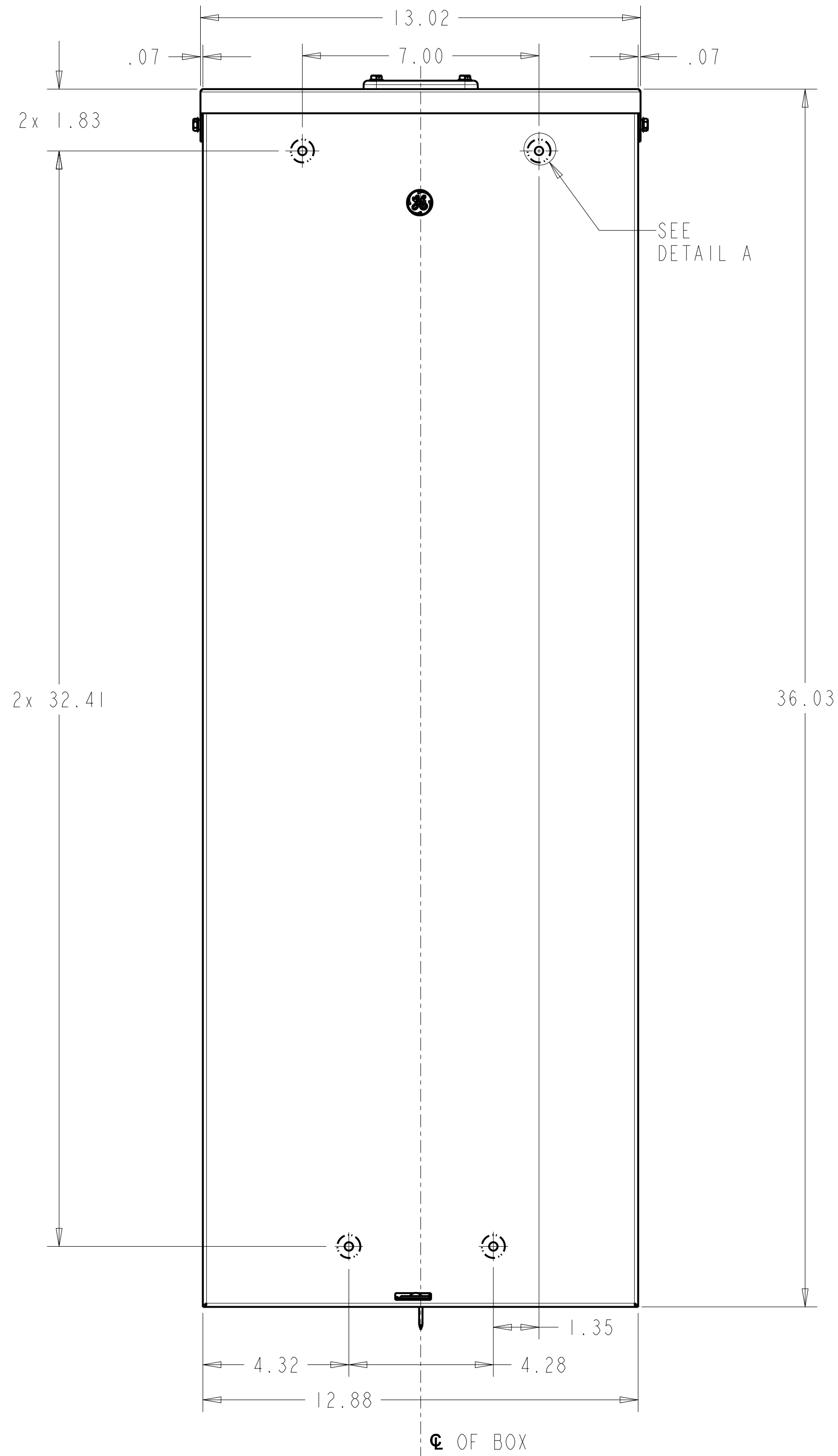
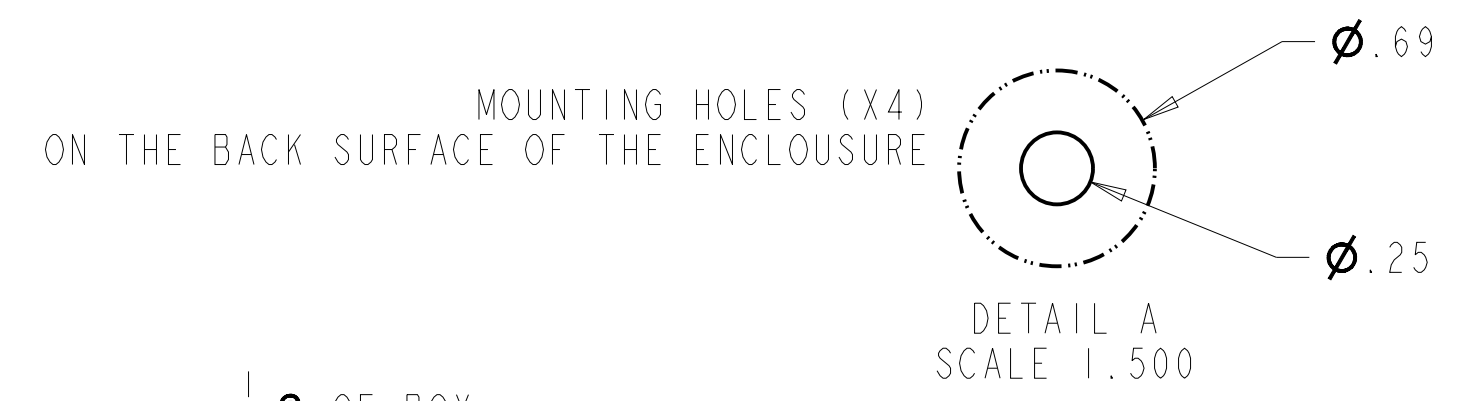
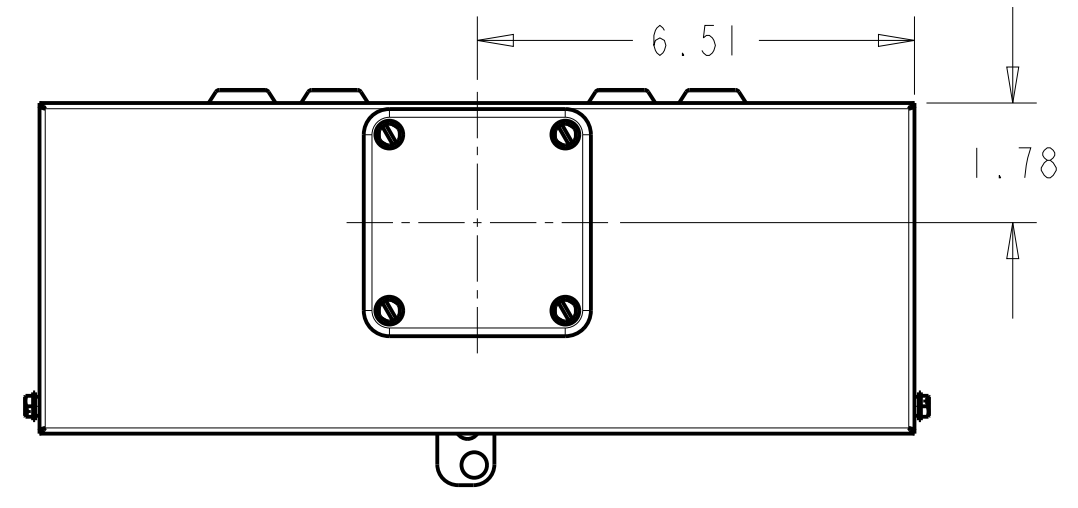
A

D

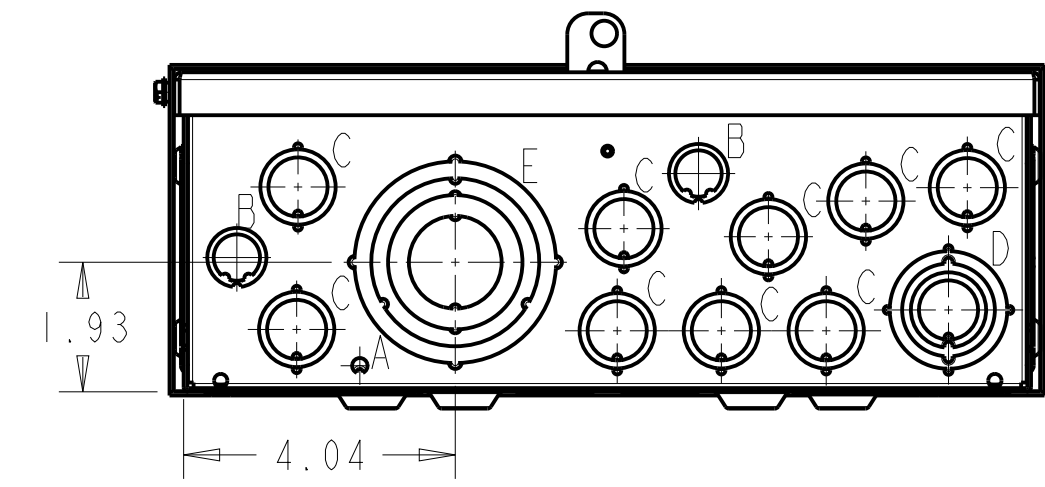
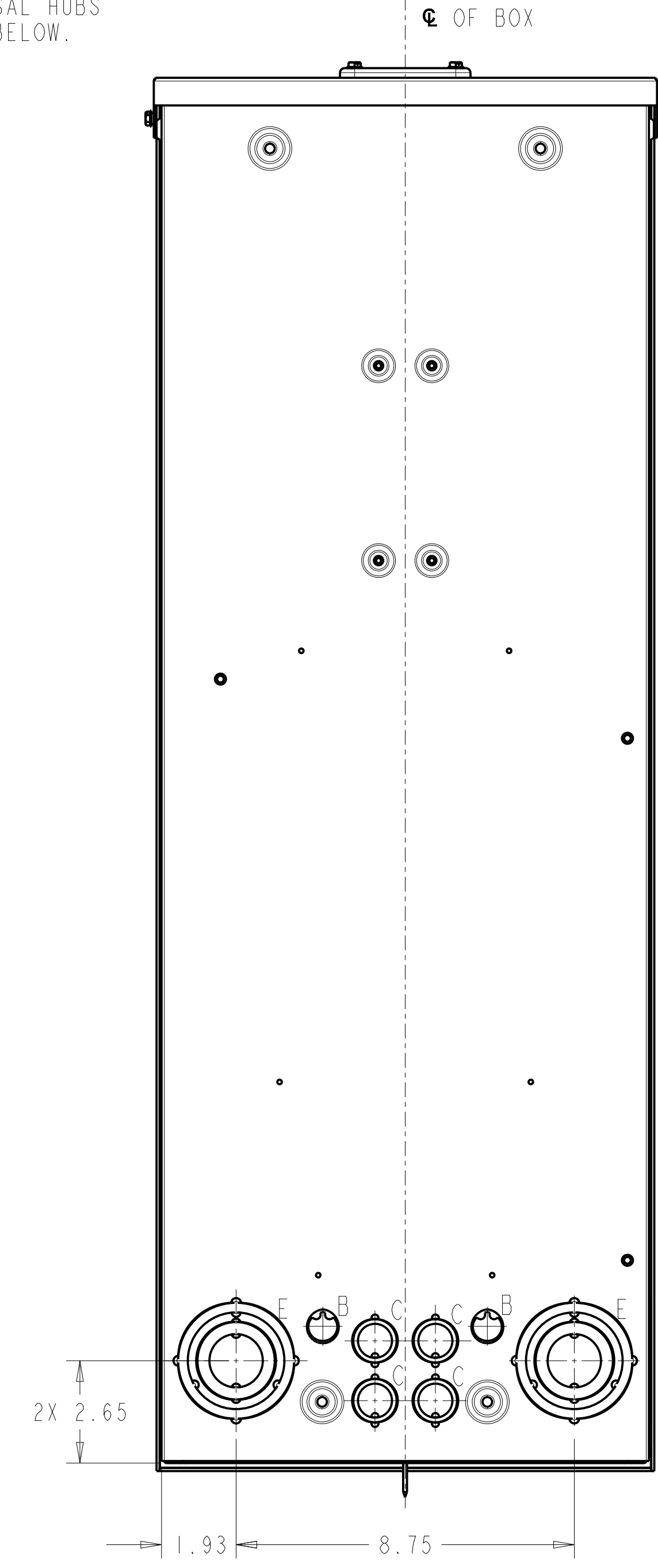
C

B

A



CLOSE CAP SUPPLIED.  
FOR UNIVERSAL HUBS  
SEE CHART BELOW.



UNIVERSAL HUB	
CONDUIT SIZE	CATALOG NO.
3/4	TC75
1	TC100
1 1/4	TC125
1 1/2	TC150
2	TC200
2 1/2	TC250
CLOSING CAP	TCCP

CAT. NO.	MODEL
TM30412R	5
TM30415R	5

SYMBOL	SIZE	QTY.
A	9/32 KO	1
B	1/2 KO	4
C	1/2 X 3/4 KO	13
D	1/2 X 3/4 X 1 X 1 1/4 KO	1
E	1 X 1 1/2 X 2 X 2 1/2 KO	5

THIRD ANGLE	SHEET#
	1 of 1

ALL DIMENSIONS HAVE +/- .125 TOLERANCE			
<b>ABB</b>			
RAINPROOF LCTR 3PH 4W 150/125A RAINPROOF ASM ENCLOSURE (35.688)			
DWG NO.	DATE	REV	
10103091SH286	Apr-28-22	1	

18

17

16

15

14

13

12

11