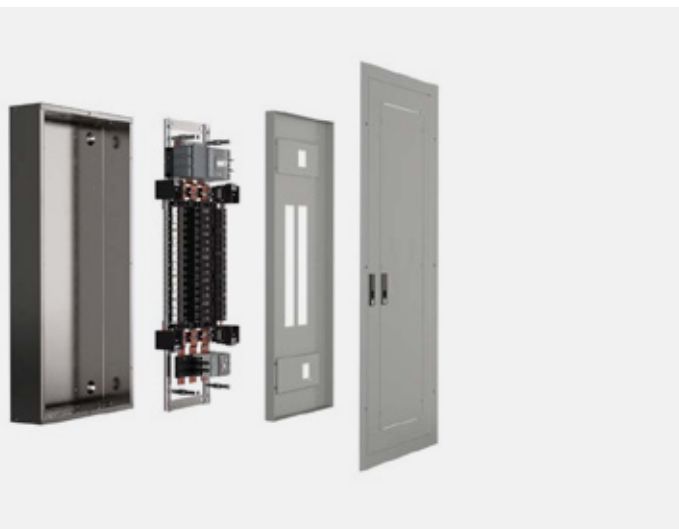


INSTALLATION INSTRUCTIONS

ReliaGear® Merchandised lighting panelboards

ReliaGear® Merchandised lug kits for 125 A and 225 A

ReliaGear® lighting panelboards



These instructions describe the installation of a ReliaGear Merchandised lug kit into a ReliaGear lighting panelboard. This kit is not for use in a standard, factory-assembled panelboard. The catalog numbers and parts lists for the kits available are found in tables 1 and 2.

Table 1. Parts list for 225 A (oversize 125 A) pressure lug kit for 6–350 kcmil Cu/Al, catalog number MLA1.

Item #	Description	Part #	Qty.
1	Lug	252B1968G1	3
2	Nut, keps	N269P23B6	3
3	Shield insert	10081132P10	1
4	Screw, #10–32 x 3/8	N722EP16006B6	4

Table 2. Parts list for 400 A (oversize 225 A) pressure lug kit for (2) 1/0–250 kcmil or 2–600 kcmil Cu/Al, catalog number MLA2.

Item #	Description	Part #	Qty.
1	Lug	252B1970G1	4
2	Nut, keps	N269P23B6	3
3	Shield insert	10081132P10	1
4	Screw, #10–32 x 3/8	N722EP16006B6	4

Installation

Use the following procedure to install a ReliaGear Merchandised lug kit into a ReliaGear lighting panelboard. Call-out numbers in figure 2 and numbers in brackets in the text refer to the item numbers in tables 1–2.

1. Remove the lug kit from its packaging and verify that all parts are present, as outlined on the packing list.
2. Remove the four screws securing the shield to the panelboard interior. Lift off the shield and set it and the screws aside.
3. Remove the keps nut from the neutral.
4. Install a lug [1] on the neutral and secure with the keps nut removed in step 3. Tighten to 100–120 in-lb.

MLA1 and MLA2

5. Place the lug [1] on the bus bar. Secure with the keps nuts [2] supplied in the kit. Tighten to 100–120 in-lb.

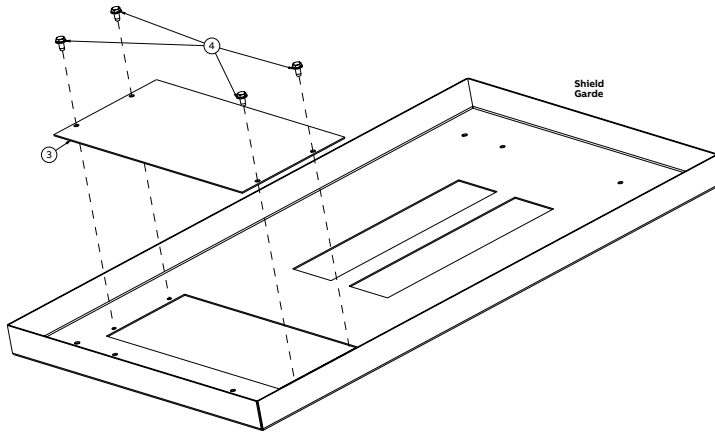
—
01 Attaching the shield insert to the shield.

—
02 Installation of a ReliaGear® Merchandised main lug kit into a ReliaGear lighting panelboard.

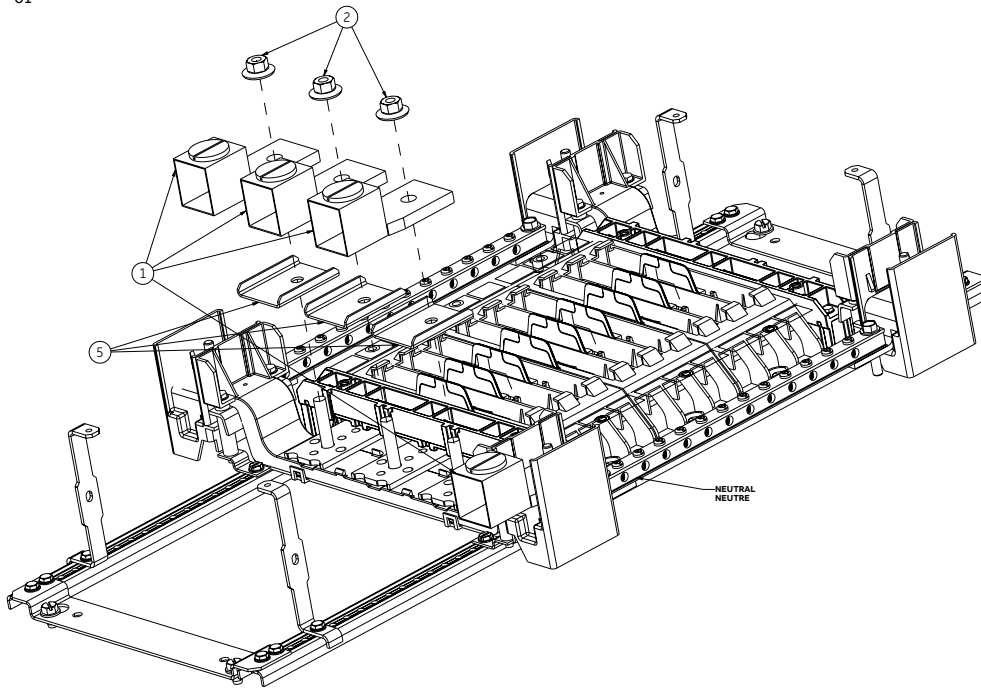
CAUTION

The antiturn brackets must be installed when they are provided with the kit.

7. Place the shield insert [3] over the shield so that the four same-size holes line up with the threaded holes in the shield, as illustrated in figure 1. Fasten the shield insert to the shield with four #10-32 x 3/8 screws [4] tightened to 27–36 in.-lb.
8. Reattach the shield to the interior with the four screws removed in step 2.



—
01



—
02

—
ABB Inc.
305 Gregson Drive
Cary, NC 27511
electrification.us.abb.com

electrification.us.abb.com

—
We reserve the right to make technical changes or modify the contents of this document without prior notice. With regard to purchase orders, the agreed particulars shall prevail. ABB Inc. does not accept any responsibility whatsoever for potential errors or possible lack of information in this document.

—
We reserve all rights in this document and in the subject matter and illustrations contained therein. Any reproduction, disclosure to third parties or utilization of its contents – in whole or in parts – is forbidden without prior written consent of ABB Inc. Copyright© 2023 ABB
All rights reserved