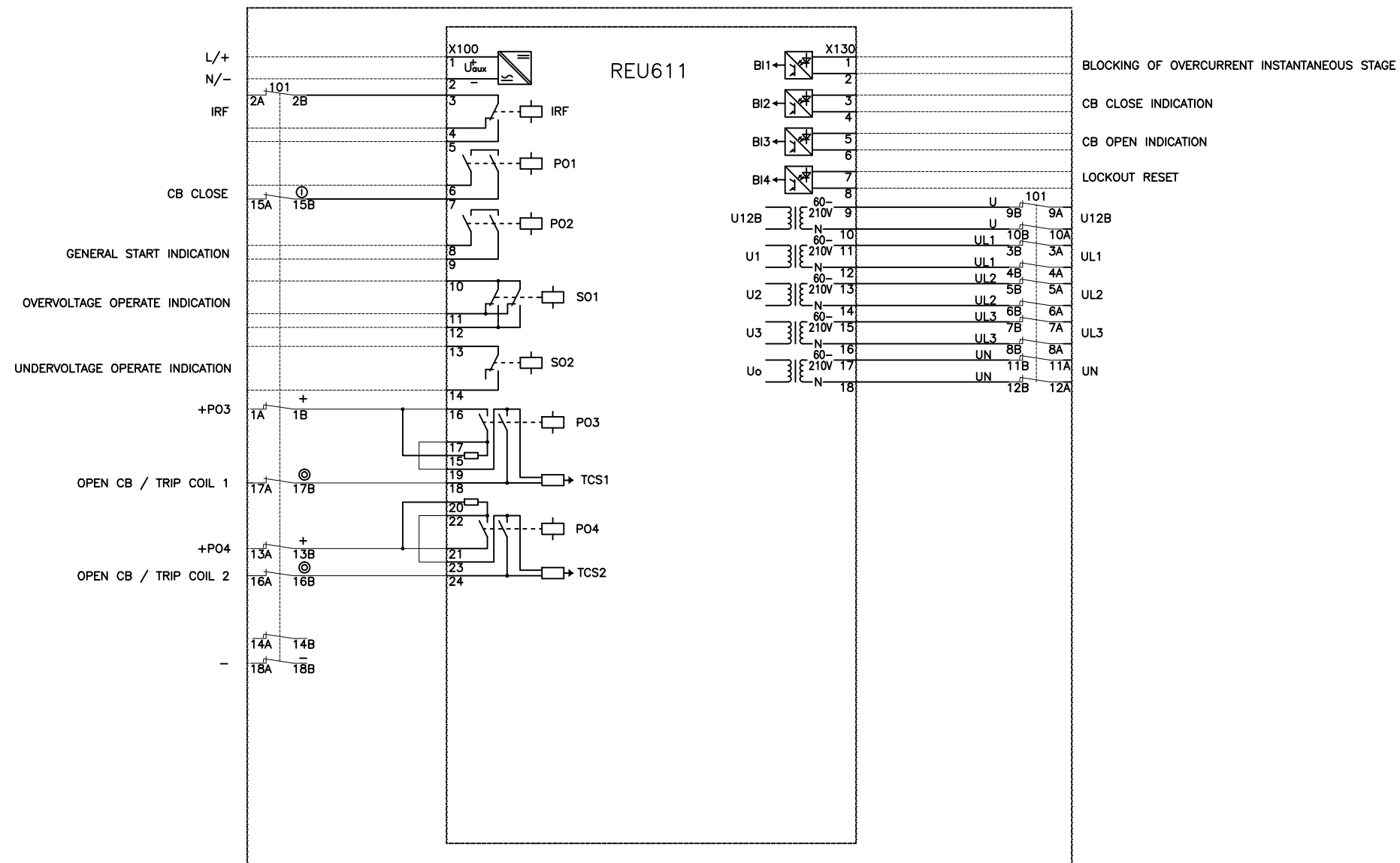


We reserve all rights in this document and in the information contained therein. Reproduction, use or disclosure to third parties without express authority is strictly forbidden. © ABB Oy.



101  
TEST SWITCH  
RTXP 18  
RK 926 115-AR

MUUTOS  
REVISION

C  
B Add the texts for the X130:BI1~BI4. 09.03.2017 / Charles-ZhiYi Chen

TEKI PREPARED 14.10.2015 S.Björklund	LIITTY CONCERNING	NIMITYS NAME TERMINAL DIAGRAM	
TARKASTI CHECKED Shamsi Ismayilov	TOLERANSSIT TOLERANCES	REU611 VOLTAGE RELAY CONFIGURATION (A)	
HYVÄKSYI APPROVED Tuomo Rintamäki	SUHDE SCALE	PROJ	LEHTI SHEET 1/1
	OSASTO DEPT. RSG	PIIRUSTUS NO DRAWING NO 2RCA036610	PAINOS REVISION B

ABB ABB Technology Ltd.