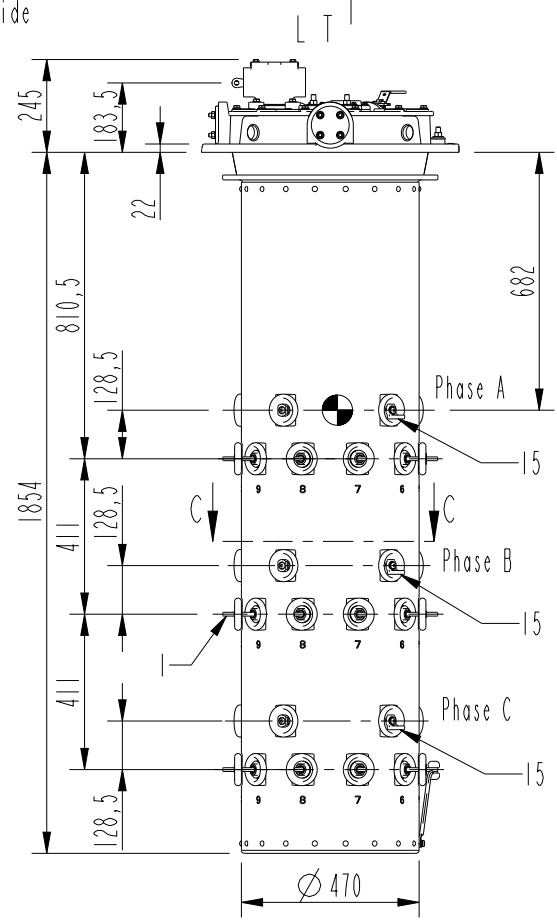
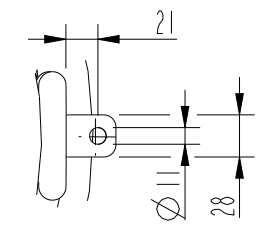
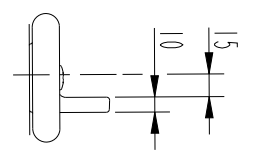


This document is issued by means of a computerized system. The digitally stored original is electronically approved. The approved document has a date entered in the "Approved"-field. A manual signature is not required.

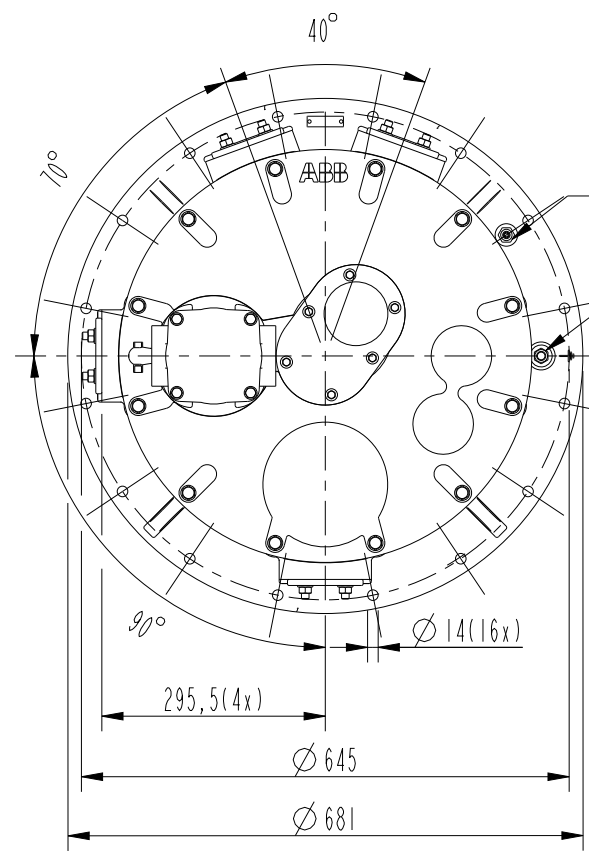
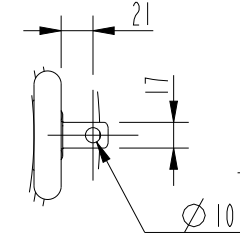
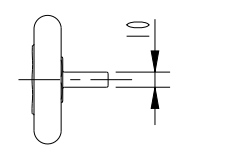
Weight: see Technical Guide



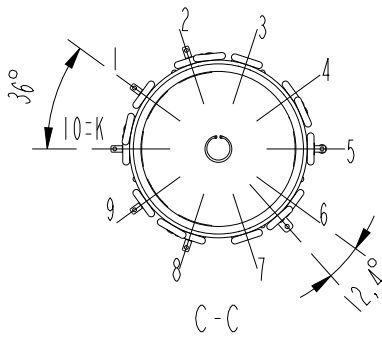
Current collector terminal contact 15



1. Selector Switch contact, change-over selectors contact



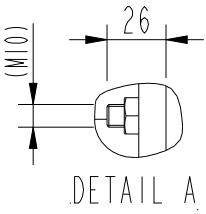
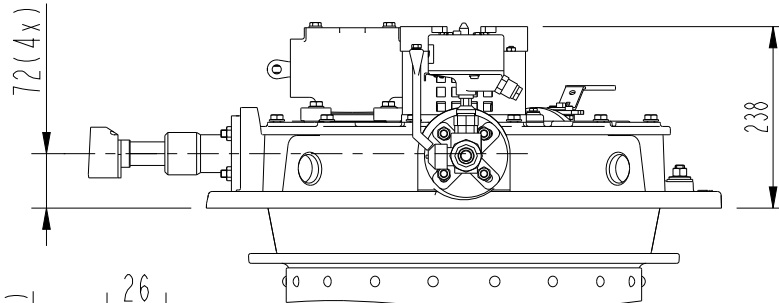
Selector Switch 7,8,9,14,15,16,17 18 and 19 positions



Approved 2016-10-26	Document Kind Outline Drawing	Based on doc. id	Work order id	Project id
Company ABB Technology Ltd	Title, Supplementary title VUBB L T			
Responsible Department SEABB-9AAE300824	200,380/250,400,600			
ABB	Document id IZSC004426-AAE	Status Released	Revision C	Iteration Iteration
				Sheet 1/3

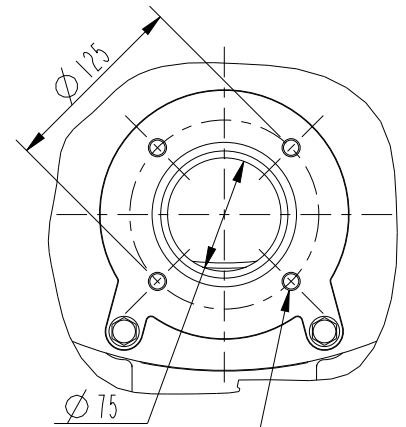
This document is issued by means of a computerized system. The digitally stored original is electronically approved. The approved document has a date entered in the "Approved"-field. A manual signature is not required.

ORDERABLE ACCESSORIES

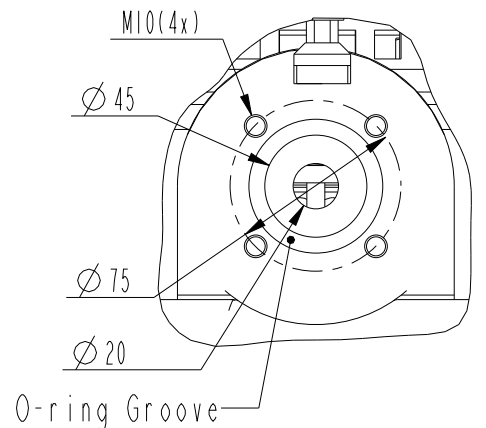
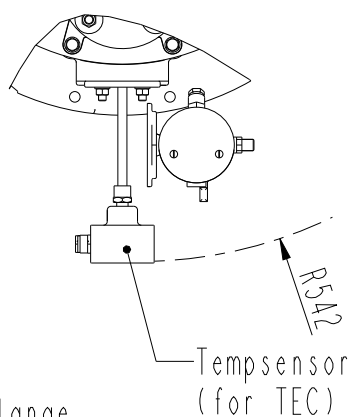
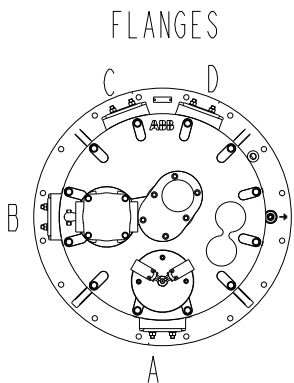
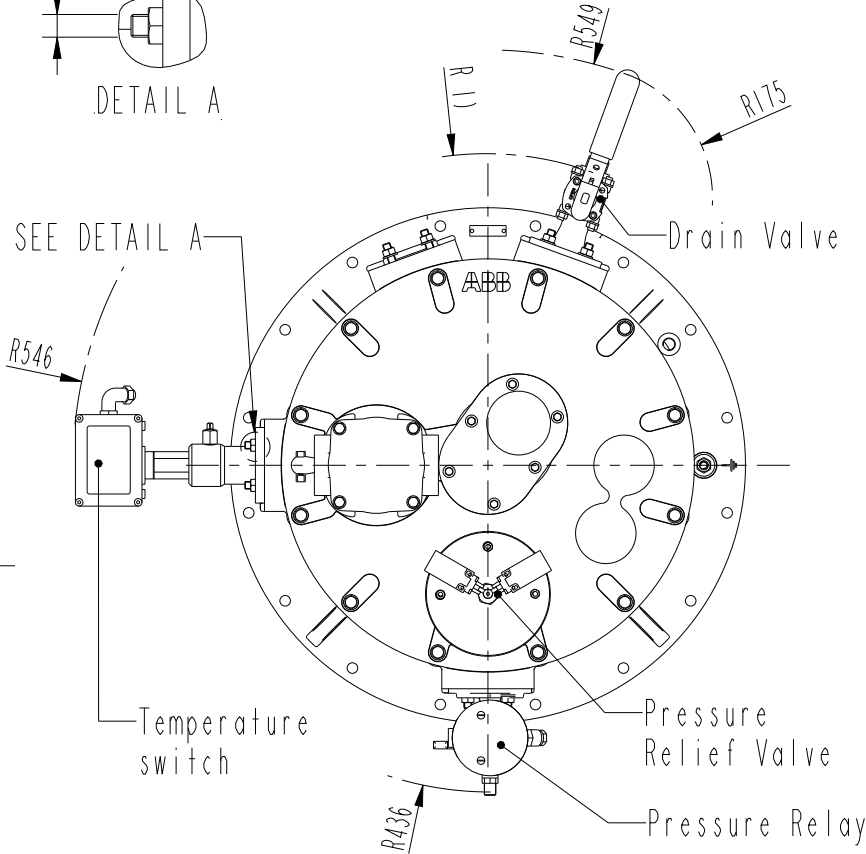


Drain valve type:	R 1)
R1" Inside thread	411
R1" Outside thread	420
NTPI" Inside thread	440

Prepared interface for Pressure Relief Valve



Stud M12
free length: 33 mm



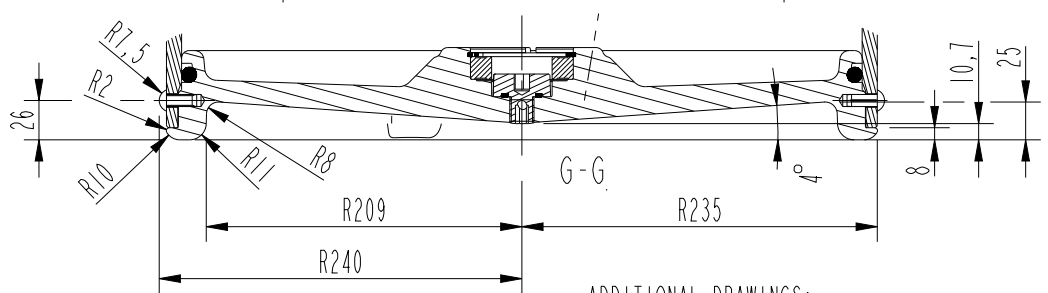
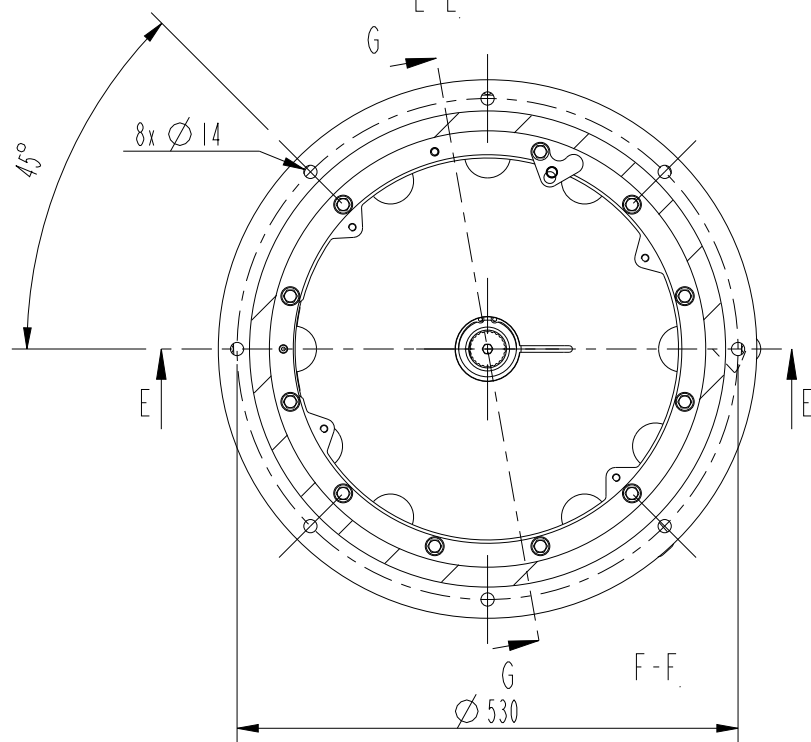
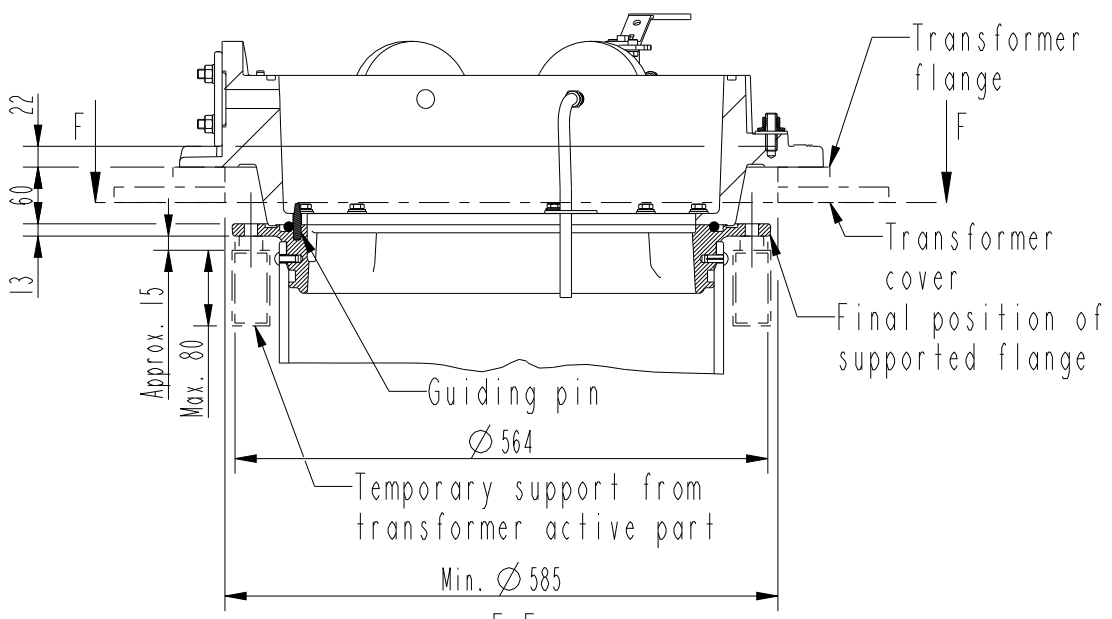
Accessories mounted on flange A, B and C are interchangeable.

We reserve all rights in this document and in the information contained therein. Reproduction, use or disclosure to third parties without express authority is strictly forbidden.

Approved 2016-10-26	Document Kind Outline Drawing	Based on doc. id	Work order id	Project id
Company ABB Technology Ltd	Title, Supplementary title VUBB L T			
Responsible Department SEABB-9AAE300824	200,380/250,400,600			
ABB	Document id IZSC004426-AAE	Status Released	Revision C	Iteration Sheet 2/3

This document is issued by means of a computerized system. The digitally stored original is electronically approved. The approved document has a date entered in the "Approved"-field. A manual signature is not required.

MOUNTING ON ACTIVE PART



ADDITIONAL DRAWINGS:
Connection Diagrams: see Technical Guide VUBB

Approved 2016-10-26	Document Kind Outline Drawing	Based on doc. id	Work order id	Project id
Company ABB Technology Ltd	Title, Supplementary title VUBB L T			
Responsible Department SEABB-9AAE300824	200,380/250,400,600			
ABB	Document id IZSC004426-AAE	Status Released	Revision C	Iteration Iteration
				Sheet 3/3

We reserve all rights in this document and in the information contained therein. Reproduction, use or disclosure to third parties without express authority is strictly forbidden.