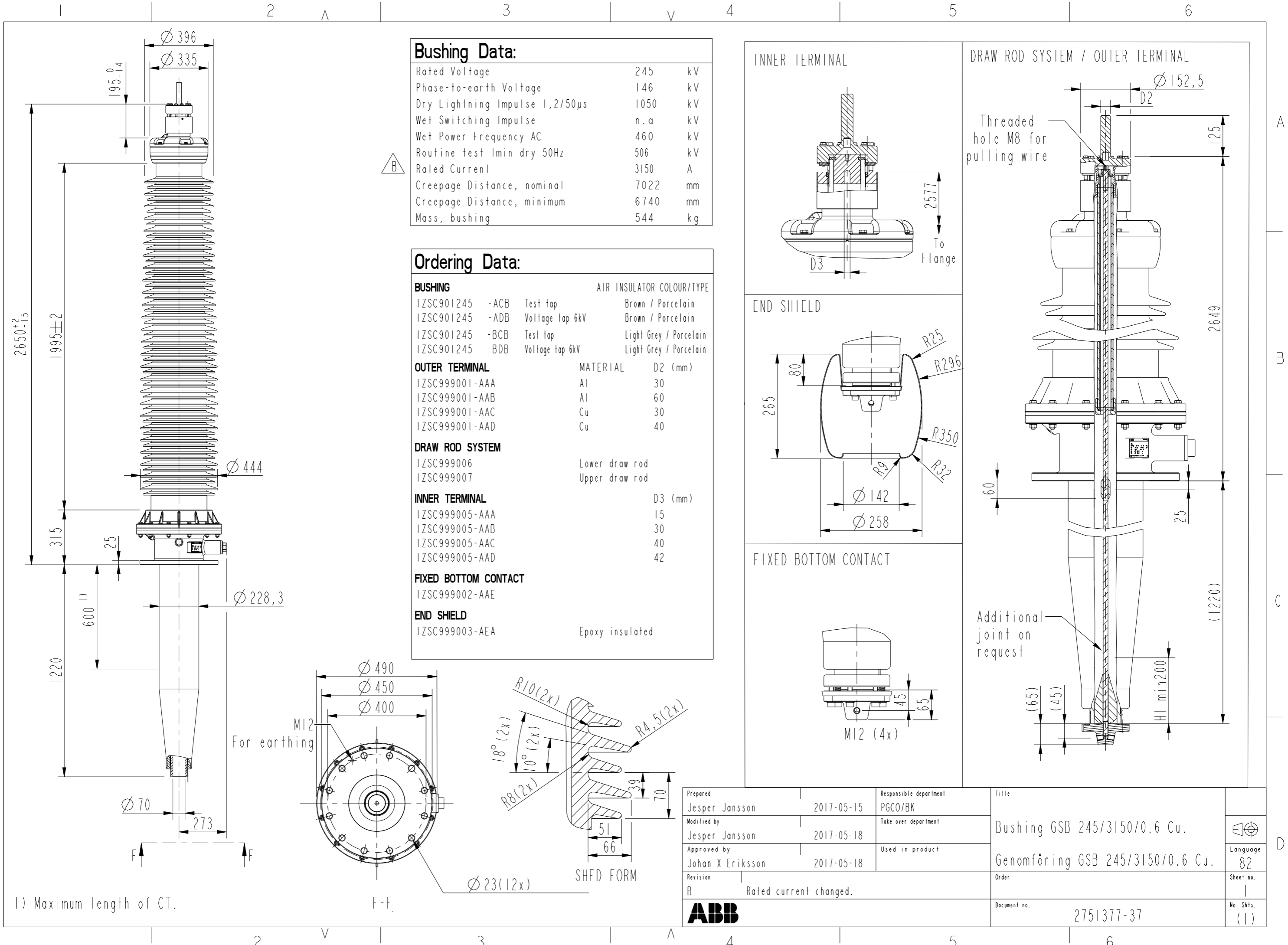


This document is issued by means of a computerized system. The digitally stored original is electronically approved. The approved document has a date entered in the "Approved"-field. A manual signature is not required.

The information contained in this document has to be kept strictly confidential. Any unauthorized use, reproduction, distribution or disclosure to third parties are strictly forbidden. ABB reserves all rights regarding Intellectual Property Rights. © Copyright 2013 ABB. All rights reserved.



Bushing Data:

Rated Voltage	245	kV
Phase-to-earth Voltage	146	kV
Dry Lightning Impulse 1,2/50µs	1050	kV
Wet Switching Impulse	n.a	kV
Wet Power Frequency AC	460	kV
Routine test Imin dry 50Hz	506	kV
Rated Current	3150	A
Creepage Distance, nominal	7022	mm
Creepage Distance, minimum	6740	mm
Mass, bushing	544	kg

Ordering Data:

BUSHING		AIR INSULATOR COLOUR/TYPE	
IZSC901245	-ACB Test tap	Brown	Porcelain
IZSC901245	-ADB Voltage tap 6kV	Brown	Porcelain
IZSC901245	-BCB Test tap	Light Grey	Porcelain
IZSC901245	-BDB Voltage tap 6kV	Light Grey	Porcelain

OUTER TERMINAL		MATERIAL	D2 (mm)
IZSC999001	-AAA	Al	30
IZSC999001	-AAB	Al	60
IZSC999001	-AAC	Cu	30
IZSC999001	-AAD	Cu	40

DRAW ROD SYSTEM		
IZSC999006	Lower draw rod	
IZSC999007	Upper draw rod	

INNER TERMINAL		D3 (mm)
IZSC999005	-AAA	15
IZSC999005	-AAB	30
IZSC999005	-AAC	40
IZSC999005	-AAD	42

FIXED BOTTOM CONTACT		
IZSC999002	-AAE	

END SHIELD		
IZSC999003	-AEA	Epoxy insulated

Prepared	Jesper Jansson	2017-05-15	Responsible department	PGCO/BK	Title	Bushing GSB 245/3150/0.6 Cu.
Modified by	Jesper Jansson	2017-05-18	Take over department		Genomföring GSB 245/3150/0.6 Cu.	Language
Approved by	Johan X Eriksson	2017-05-18	Used in product			82
Revision	B	Rated current changed.			Order	Sheet no.
Document no.						82
2751377-37						No. Shits.
						(1)

