



V16

Adjustable Photocell

Key Features

- Very low power consumption
- Integral detector
- Easily adjustable lux setting
- Switching delay to prevent 'spurious switching'
- Durable polycarbonate casing
- Suitable for use with LED, halogen or discharge lighting

Applications

- Residential lighting
- Communal housing lighting
- Amenity security lighting
- General lighting load switching at pre-determined lux levels

Comprising an integral detector within a compact, aesthetically appealing casing, the V16 adjustable photocell is ideal for controlling lighting in residential and communal housing settings.

Easy to install, the V16 adjustable photocell enables switch setting between 10 and 1000 lux, and incorporates a switching delay, indicated by a red LED, to ensure the load is not energised by temporary illumination (car headlights etc).

The photocell is housed within a sealed casing, ingress rated to IP54, for long lasting, reliable performance with virtually no maintenance.

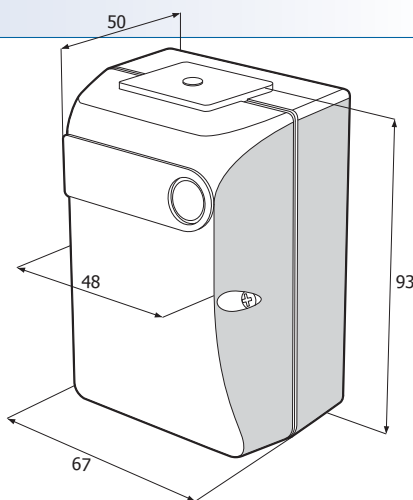


V16 Adjustable Photocell

Technical Specification

Specification	Description
Sensor type	Phototransistor
Sensor control	Discrete component
Switching levels	10 to 1000 lux
Switching differential	1:1.5 positive
Operating voltage range	220-270 Vac, 50/60 Hz
Maximum lamp load	2200 VA, 10 A resistive
Power consumption	2.5 W
Operating temperature range	-20 °C to +45 °C
Ingress protection	IP54
Approvals	RoHS compliant. CE marked and compliant with EMC emission and immunity standards
Dimensions L x W x D	93 x 67 x 50

For product order codes or to discuss project requirements, please contact Thomas & Betts or your local representative.



Product selection

Product	V16
Description	Adjustable photocell

Individual product order codes subject to final product specification. Codes can be supplied on request from Thomas & Betts. To discuss project requirements, please contact your local representative or Thomas & Betts on (0)113 281 0600.

Warranty of all Royce Thompson products is subject to the standard Thomas & Betts terms & conditions of sale.



FM09470

Thomas & Betts Ltd

Royce Thompson
Bruncliffe Lane
Leeds
West Yorkshire LS27 9LL

Tel: +44 (0)113 281 0600
Fax: +44 (0)113 281 0611
roycethompson@tnb.com
www.roycethompson.com



Royce Thompson is the leading photo-electronic lighting controls brand from Thomas & Betts, supporting the street and amenity lighting industry since 1963.

Continuous focus on the provision of high quality, innovative products to the market ensures Royce Thompson photocells offer the best in low energy consumption, reliability and long life - helping you, the customer, achieve optimum performance whilst keeping your carbon footprint to a minimum.