

PRODUCT SHEET

Elastimold® dual-port elbows

Add accessories without taking up more space



The Elastimold® dual-port elbow allows you to add grounding and spiking aid devices, surge arresters, voltage sensors and other accessories — even in limited-space enclosures.

—
Delivering value



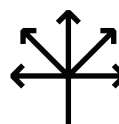
Safe
Provides grounding or spiking capabilities to enhance crew and equipment safety.



Flexible
Has the ability to stack multiple accessories in a small profile in enclosures with limited available space. Adaptable for use with 200 A components with reducing tap plugs.



Reliable
Enhances the reliability of the system by allowing additional safety products. Meets all IEEE 386 standard requirements.



Versatile
Works in conjunction with various 600 A cable accessories (refer to instruction sheets for assembly procedures).

Features and benefits

—
01 An Elastimold dual-port elbow with voltage sensor in the top port and Veri-Spike® grounding aid in the bottom port

- Has an additional port that offers space savings by allowing for the stacking of accessories. It is ideal for limited-space enclosures. It reduces the need to purchase a larger, more expensive cabinet.
- Is retrofittable, simple to use and works with standard equipment in most situations.
- Enhance safety by using the second port for the Elastimold® GAD or Veri-Spike® grounding and spiking aid devices, or 600 A elbow surge arresters.
- Smart grid enabler — Offers the ability to add voltage sensing.
- Enhances safety with hot-stick operability plus the ability to ground up to 25 kA currents.
- Provides an easy-to-use and highly visible means of enabling utilities to ground the circuit.
- Has a proven patent-pending design based upon the Elastimold 600 A dead-break elbow.
- Is available with compression and shear bolt connectors.
- Is also available with an oil-resistant jacket for harsh environments.



Ordering information

The following diagram shows how to construct the catalog number for a 600 A dual-port elbow connector:

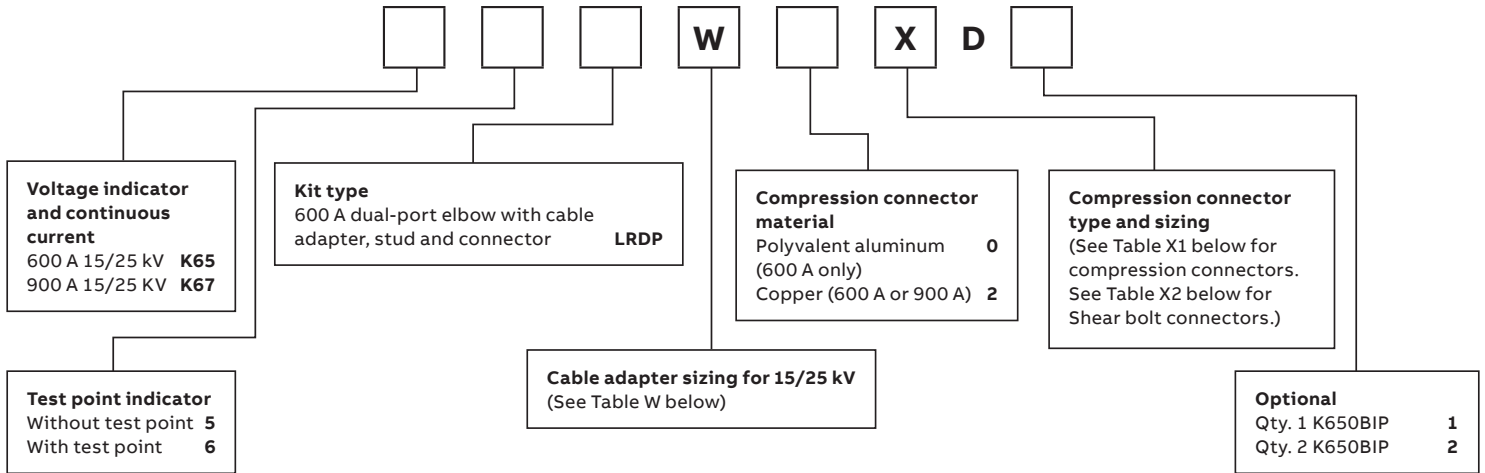


Table W – Cable adapter sizing for 15/25 kV

Cable insulation diameter range				
Cable insulation diameter (in.)		Cable insulation diameter (mm)		Replace W with
Min.	Max.	Min.	Max.	
0.420	0.660	10.7	16.8	D
0.530	0.680	13.5	17.3	E
0.640	0.820	16.3	20.8	F
0.760	0.950	19.3	24.1	G
0.850	1.050	21.6	26.7	H
0.980	1.180	24.9	4.6	J
1.090	1.310	27.7	33.3	K
1.180	1.465	30.0	37.2	L
1.280	1.430	32.5	36.3	LM
1.370	1.630	34.8	41.4	M
1.550	1.780	39.4	45.2	N
1.725	1.935	43.8	49.1	P

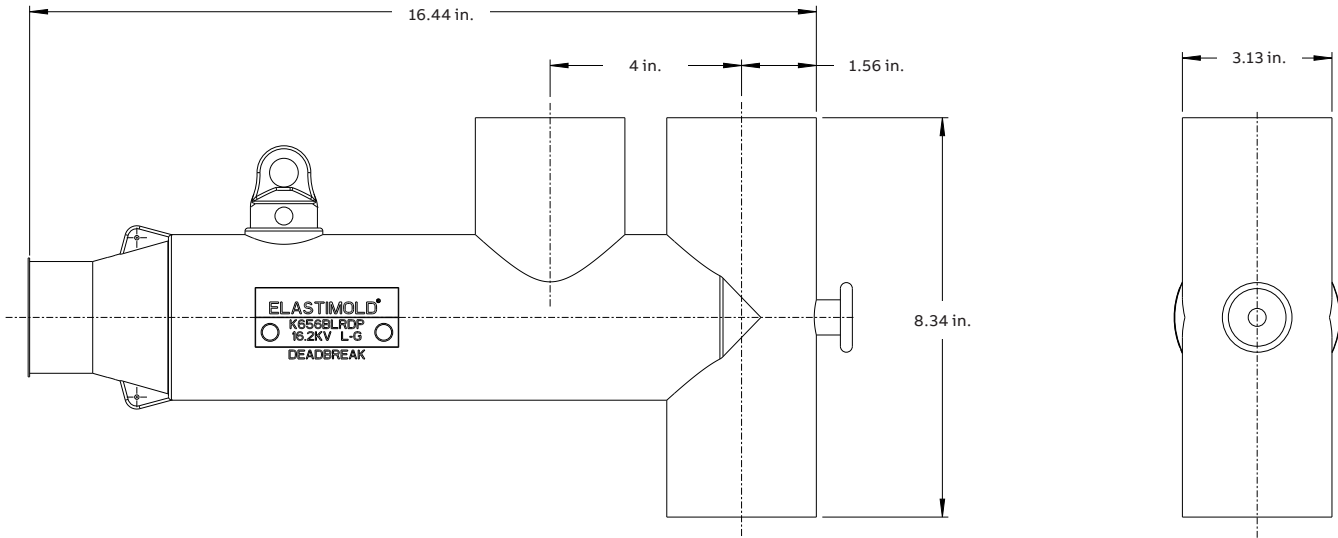
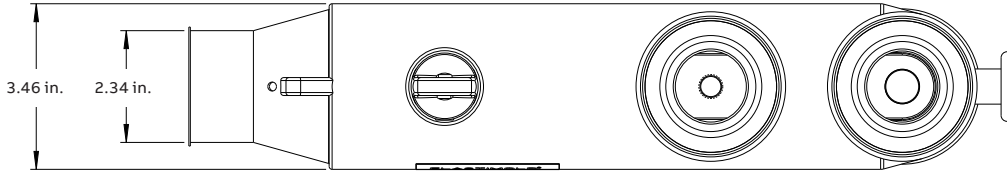
Table X1 – Compression connector sizing

Stranded or compressed (AWG or kcmil)	Solid or compact	Replace X with
–	#2	210
#2	#1	220
#1	1/0	230
1/0	2/0	240
2/0	3/0	250
3/0	4/0	260
4/0	250	270
250	300	280
300	350	290
350	400	300
400	450	310
450	500/550	320
500	600	330
550	650	340
600	700	350
650	750/800	360
700/750	900	380
800	–	390
900	1000	400
1000	–	410
–	1250	420
1250	–	440

Table X2 – Shear bolt connector sizing

Stranded, compressed, solid or compact (AWG or kcmil)	Replace X with
#2	AC01
#1	
1/0	
2/0	
3/0	
4/0	AC02
250	
300	
350	
400	AC03
450	
500	
550	
600	
650	AC04
700	
750	
800	
900	
1000	
1250	

Dimensions



Installation instructions
655/675LRDP &
K655-K675LRDP

ABB Installation Products
700 Thomas Avenue
Saint-Jean-sur-Richelieu,
Quebec J2X 2M9
Tel.: +1 (450) 347 5318
Fax: +1 (450) 347 1976

We reserve the right to make technical changes or modify the contents of this document without prior notice. With regard to purchase orders, the agreed particulars shall prevail. ABB Installation Products Inc. does not accept any responsibility whatsoever for potential errors or possible lack of information in this document.

We reserve all rights in this document and in the subject matter and illustrations contained therein. Any reproduction or utilization of its contents – in whole or in parts – is forbidden without prior written consent of ABB Installation Products Inc. © 2024 ABB. All rights reserved