

Stanilite®

Platinum batten LED vandal proof IK10 Nexus® - 2 foot



Range

Platinum range

Product group

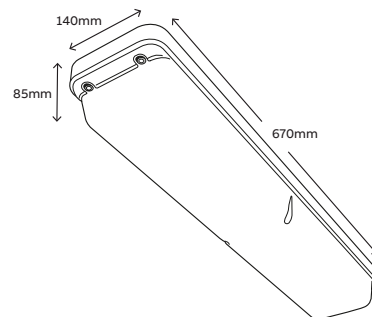
Batten LED

Features

- Typically 405 lumens in emergency operation
- Single piece EPDM gasket ensures the high IP66 rating
- IK10 impact rating and anti ligature
- Pressure die-cast marine grade aluminium body with a powder coated paint finish
- Robust polycarbonate lens resist impact and abuse
- Long LED life 75,000 hours
- Colour temperature 4,000K
- Higher colour rendering index CRI>80
- Mains terminal block accepts up to 2.5mm² cable
- Advanced charging technology combined with Lithium iron phosphate battery for long life and low maintenance
- Ambient operating temperature; +10°C to +40°C
- Nexus monitored, either cabled or wireless



Catalogue no.	Description
Nexus products	
PBLVLX2F5WN	Platinum batten LED vandal proof IK10 Nexus LX 5W IP66 non-maintained
PBLVRF2F5WN	Platinum batten LED vandal proof IK10 Nexus RF 5W IP66 non-maintained
Spare parts	
03-01307P	Battery LiFePO4 6.4V 3.2Ah



Dimensions		
Length	Width	Height
670mm	140mm	85mm
Weight		
Model	Weight	
Nexus LX/RF	3.5kg	
Construction		
Part	Construction	
Reflector	Powder coated steel	
Body	Die-cast marine grade aluminium powder coated light grey paint finish	
Diffuser	Polycarbonate	

Light source				
	Model	Light source		
	Nexus LX/RF	LED strips		

Power consumption				
	Model	Normal	S/A off	Standby
	Nexus LX/RF	1W	N/A	N/A

Note: Preliminary results

Photometrics			
	Model	Class	Classification
	Nexus LX/RF	C0	D32
		C90	C32

Note: Preliminary results

Note:

- Designed to comply with AS2293 and meet relevant Australian EMC standards