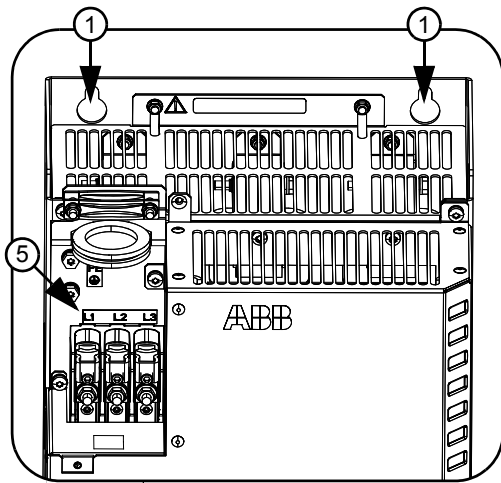


ABB Drives

Quick installation guide WFU-xx regen filter module

Installation steps

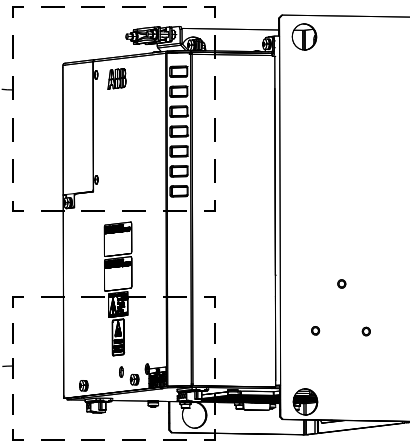
1	Mount the WFU filter on the wall (4 screws).
2	Connect the cooling fan supply. See <i>Cooling fan power supply connection</i> .
3	Connect the signal cable to the supply module. See <i>Signal cable connections</i> .
4	Connect to the power input terminal (U2/V2/W2/PE) in the regen supply module. Length: 2 m.
5	Connect the mains input to the L1/L2/L3/PE of the WFU filter.



Cooling fan power supply connection

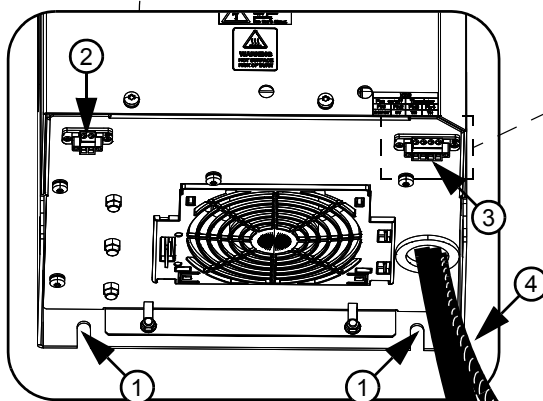
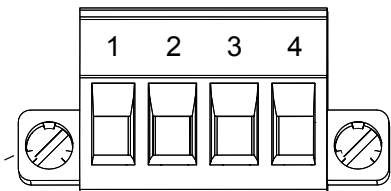
No fan supply is included the delivery. Use a supply that meets the following requirements.

Filter	Supply voltage	Current demand, nominal
WFU-01	24V ± 5%	0.32 A
WFU-02		
WFU-11	24V ± 5%	1.67 A
WFU-21		
WFU-22		



Connector X103

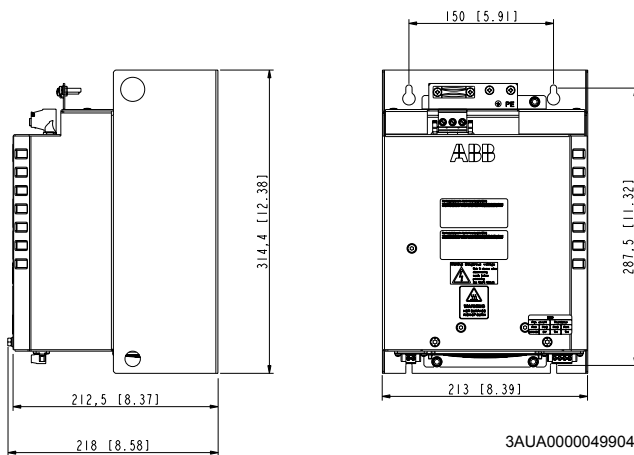
Fan on/off		Thermistor	
Pin 1	Pin 2	Pin 3	Pin 4
24 V / 0 V	0 V	TH	TH



Signal cable connections

WFU-xx	ACSM1-204	ACS800-204*
Pin 1	DIO1 (X3: 15)	X27: 3 (+24 V DC)
Pin 2	DIO1 (X3: 14)	0 V DC
Pin 3	TH (X4: 8)	X22: 7
Pin 4	TH (X4: 9)	X22: 1

* Relay output RO3 controls both the filter cooling fan and main contactor. Connect an external +24 V DC supply to R03 (X27:2) for cooling fan and main contactor control.



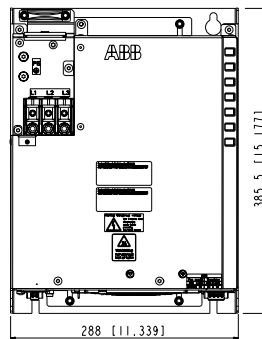
3AUA0000049904

WFU-01 and WFU-02

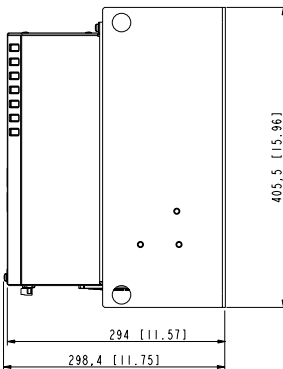
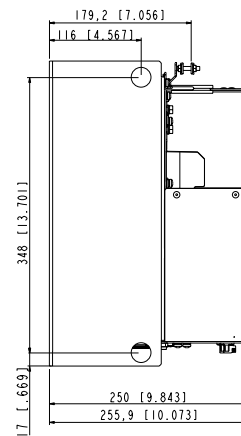
Filter	Weight
WFU-01	11 kg / 24.5 lbs
WFU-02	14 kg / 30.5 lbs

WFU-11

Filter	Weight
WFU-11	34 kg / 75 lbs

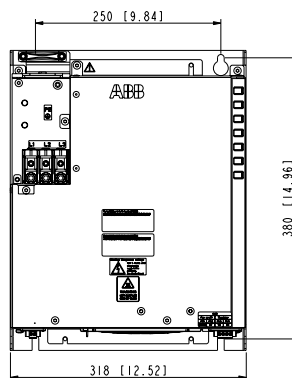


3AUA0000045531



WFU-21 and WFU-22

Filter	Weight
WFU-21	45 kg / 99 lbs
WFU-22	51.5 kg / 113.5 lbs



3AUA000005334 Rev C EN 2010-02-10

ABB Oy
 Drives
 P.O. Box 184
 FI-00381 HELSINKI
 FINLAND
 Telephone +358 10 22 11
 Fax +358 10 22 22681
www.abb.com/drives

ABB Inc.
 Automation Technologies
 Drives & Motors
 16250 West Glendale Drive
 New Berlin, WI 53151
 USA
 Telephone 262 785-3200
 1-800-HELP-365
 Fax 262 780-5135
www.abb.com/drives

ABB Beijing Drive Systems Co. Ltd.
 No. 1, Block D, A-10 Jiuxianqiao Beilu
 Chaoyang District
 Beijing, P.R. China, 100015
 Telephone +86 10 5821 7788
 Fax +86 10 5821 7618
www.abb.com/drives