

1TQC113000E0001 HOMEOWNER &amp; INSTALLER INFORMATION

# THQMVxxxE Main Breaker Conversion Kit for Convertible Main Lug and Main Breaker Load Centers

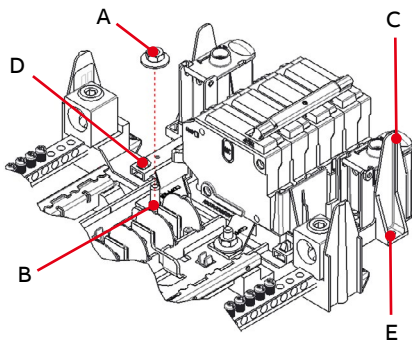


Figure 1.  
Product Installation.

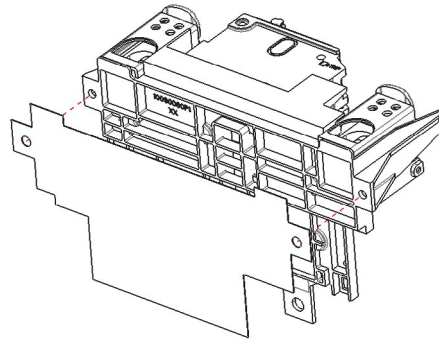


Figure 2.  
Barrier Required for 225 A Only.

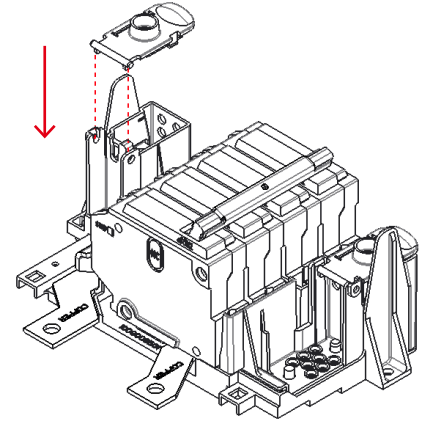


Figure 3.  
Flapper Installation.

## PowerMark Gold™ and PowerMark™ PRO

### General

To comply with the National Electrical Code and Underwriters Laboratories, the load center must be installed in accordance with the information included on the label on the inside of the equipment. This must be done in accordance with applicable local electrical codes, and by a qualified electrical contractor and/or licensed electrician.

**NOTE:** This main breaker kit fits all 100-225 ampere PLM/PM load centers as well as all TLM/TM load centers labeled "MOD 6". This breaker kit may be used on TLM or TM load centers labeled MOD 1- MOD 5 but the Front must be replaced with a MOD 6 compatible Front. When a two-pole breaker is being used, need to use a TQLFP1 filler on each side (included in breaker kit). For troubleshooting or service related questions, <https://electrification.us.abb.com/products/load-centers>



### Warning

Hazard of electrical shock or burn. Turn off power before working inside this equipment.

## Installation

1. Remove the main lugs. Keep the two nuts (A), shown in the figure, for later use.
2. Insert the straps onto the threaded studs (B), positioning the breaker base (C) over the snap fingers (D) on the load center interior.
3. Push the base (C) over the snap fingers (D) until they are fully engaged, then reinstall and tighten the two nuts (A) to 35-50 in-lb.
4. Secure the breaker base (C) with two #10-32 x 5/16" screws to the enclosure (E). Tighten the screws to 20-25 in-lb.
5. When equipment is installed as service equipment, apply the "emergency disconnect" label to the outer door or cover of the enclosure as per NEC 2020 230.85.

For THQMV225E circuit breakers, place provided barrier between breaker and enclosure. Align barrier with holes in breaker base.

## Installation of Flapper

Flappers are installed to service barriers by pushing the flapper hinge to the holes in the service barriers from the top. Figure 3 shows the installation of the flapper to service barrier.



### Warning

Service barriers and flappers must be correctly installed on the line side of a main device in load centers, and MSLC to ensure isolation from live parts.

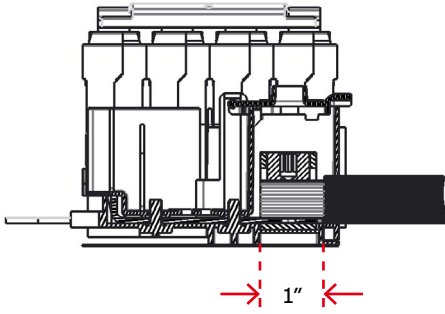


Figure 4.  
Maximum Wire Strip Length.

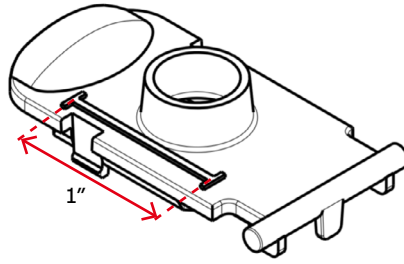


Figure 5.  
Strip Wire Length Measurement on Flapper.

**Table 1: shows the allowable wire sizes for the barrier.**

Location	Conductors
Lug Hole	1 AWG to 300 MCM Cu/Al



**Warning**

Installing an incorrect size wire than the specified sizes for each circuit breaker frame will negate the barrier ability to protect personnel from exposed live components.

The wires must be stripped to the correct length to maintain isolation. Strip the wire to a maximum of 1.00 inches.

After stripping the wires to the required length, the wires can be installed as The wires must be stripped to the correct length to maintain isolation. Strip the wire to a maximum of 1.00 inches.

After stripping the wires to the required length, the wires can be installed as shown

in Figure 4. The service barrier and flapper must be correctly installed to maintain electrical isolation from accidental contact. Torque the wires according the torque specification on the breaker.

The strip wire length is measured to the scale provided on top of the flapper, as shown on Figure 5.

These instructions do not purport to cover all details or variations in equipment nor do they provide for every possible contingency that may be met in connection with installation, operation, or maintenance. Should further information be desired, or should particular problems arise that are not covered sufficiently for the purchaser’s purposes, the matter should be referred to ABB Company.

**ABB Inc.**  
305 Gregson Drive,  
Cary, NC 27511  
USA

[abb.com/loadcenters](http://abb.com/loadcenters)  
[electrification.us.abb.com](http://electrification.us.abb.com)

**GE is a trademark of GE.**  
**Manufactured by ABB Inc. under license from General Electric Company.**

We reserve the right to make technical changes or modify the contents of this document without prior notice. With regard to purchase orders, the agreed particulars shall prevail. ABB Inc. does not accept any responsibility whatsoever for potential errors or possible lack of information in this document.

We reserve all rights in this document and in the subject matter and illustrations contained therein. Any reproduction, disclosure to third parties or utilization of its contents – in whole or in parts – is forbidden without prior written consent of ABB Inc.  
© 2022 ABB Inc. All rights reserved.