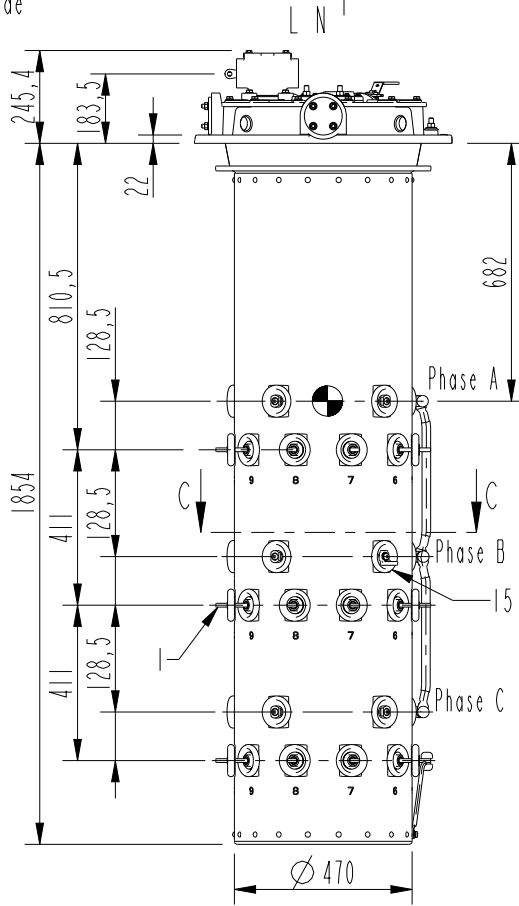
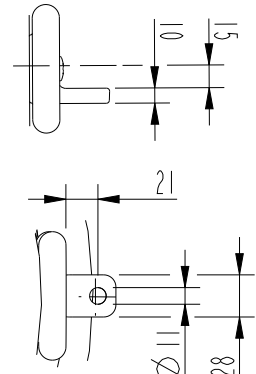


This document is issued by means of a computerized system. The digitally stored original is electronically approved. The approved document has a date entered in the "Approved"-field. A manual signature is not required.

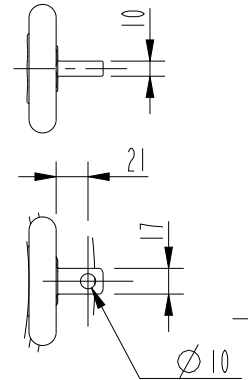
Weight: see Technical Guide



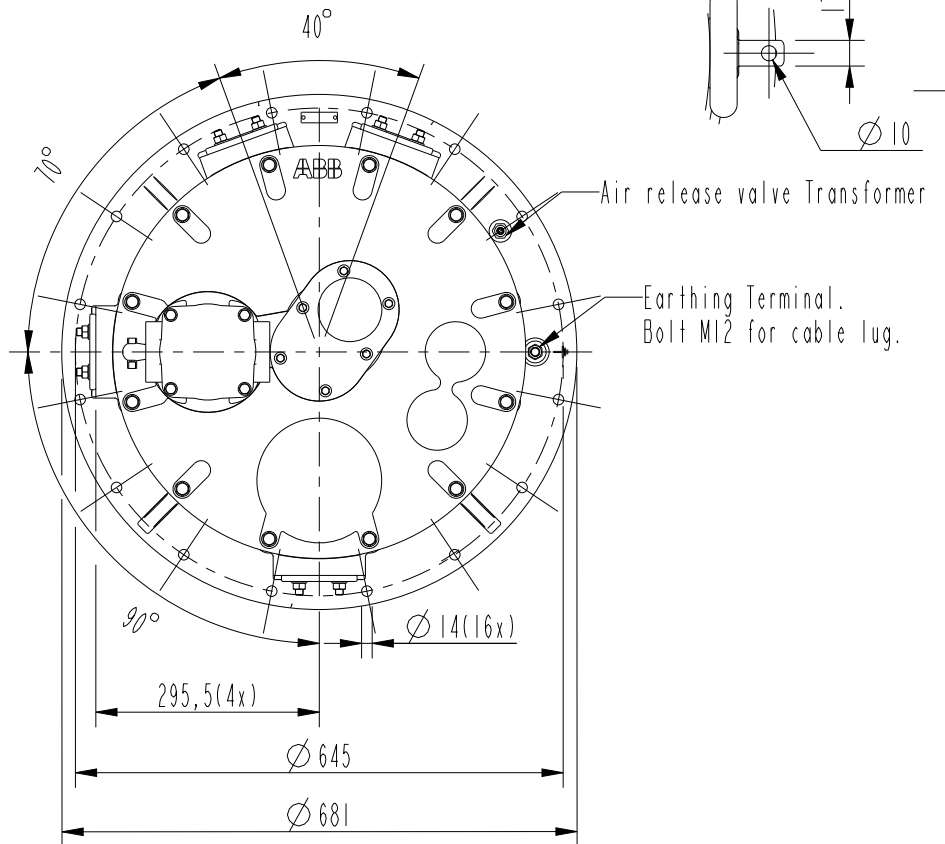
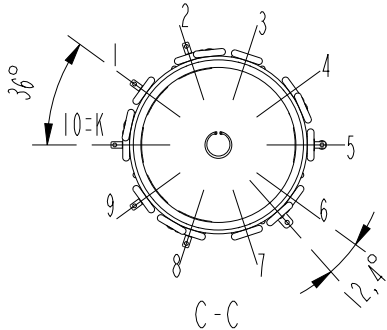
Current collector terminal contact 15



I. Selector Switch contact, change-over selectors contact



Selector Switch
7, 8, 9, 14, 15, 16, 17
18 and 19 positions

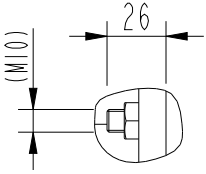
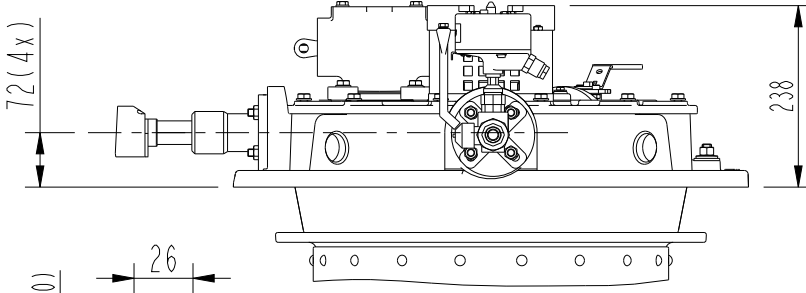


We reserve all rights in this document and in the information contained therein. Reproduction, use or disclosure to third parties without express authority is strictly forbidden.

Approved 2016-10-26	Document Kind Outline Drawing	Based on doc. id	Work order id	Project id
Company ABB Technology Ltd	Title, Supplementary title VUBB L N			
Responsible Department SEABB-9AAE300824	200, 380/250, 400, 600			
ABB	Document id IZSC004426-AAD	Status Released	Revision B	Iteration Iteration
				Sheet 1/3

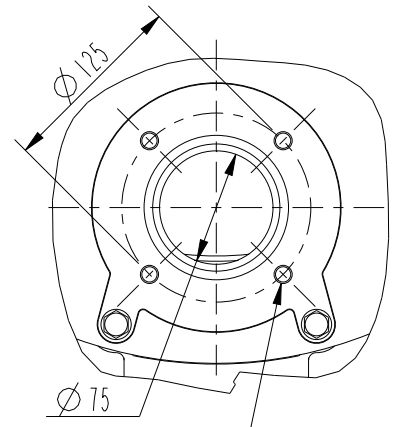
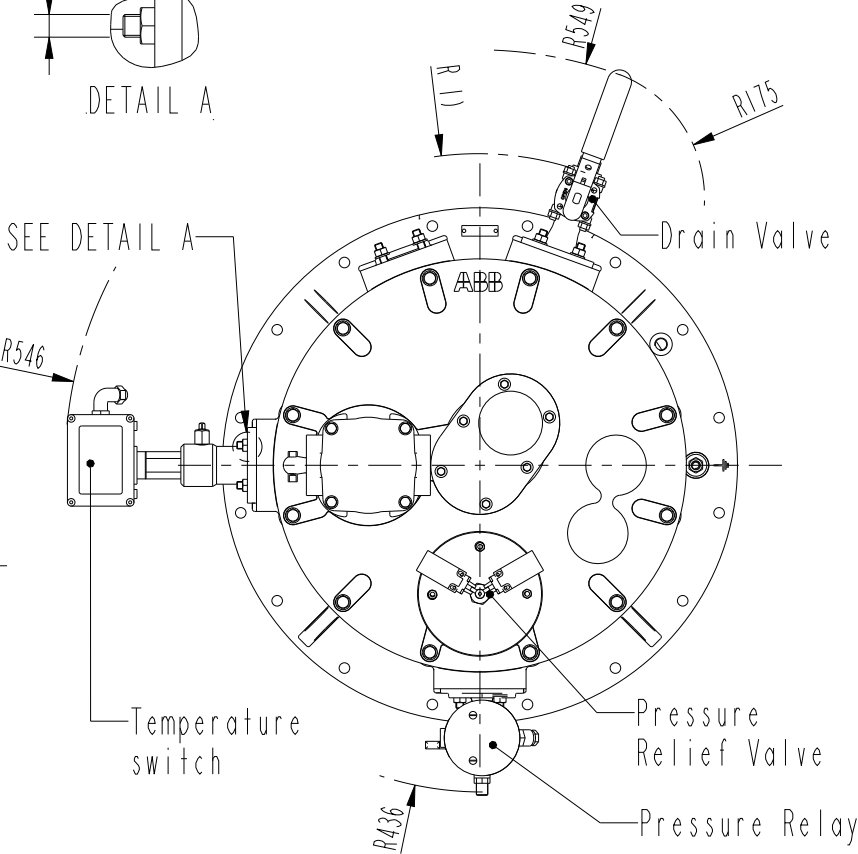
This document is issued by means of a computerized system. The digitally stored original is electronically approved. The approved document has a date entered in the "Approved"-field. A manual signature is not required.

ORDERABLE ACCESSORIES

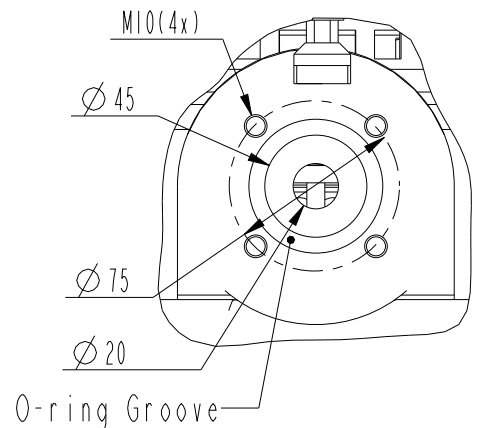
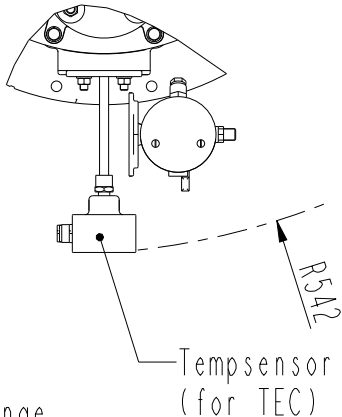
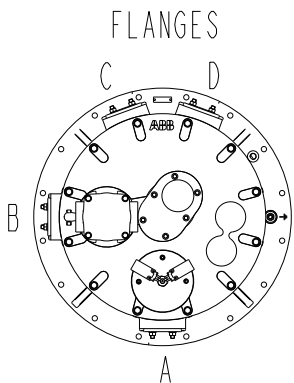


Drain valve type:	R 1)
R1" Inside thread	411
R1" Outside thread	420
NTPI" Inside thread	440

Prepared interface for Pressure Relief Valve



Stud M12
free length: 33 mm



Accessories mounted on flange A, B and C are interchangeable.

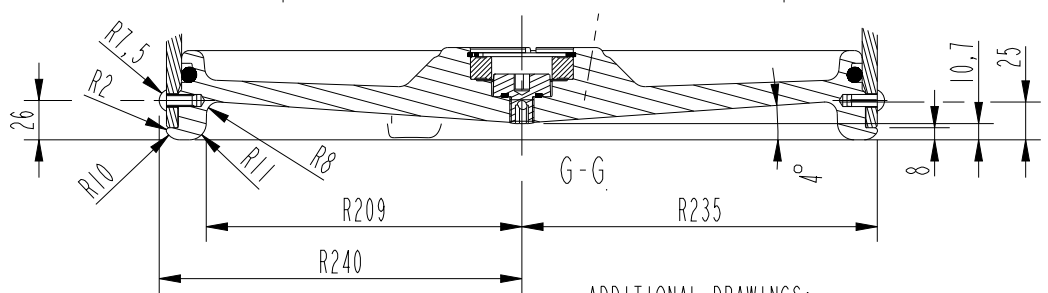
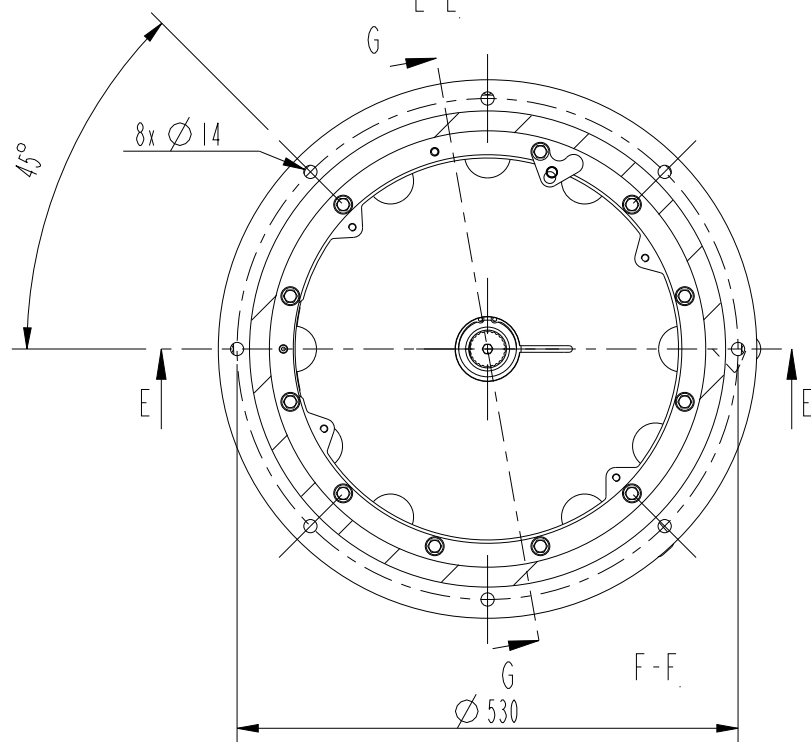
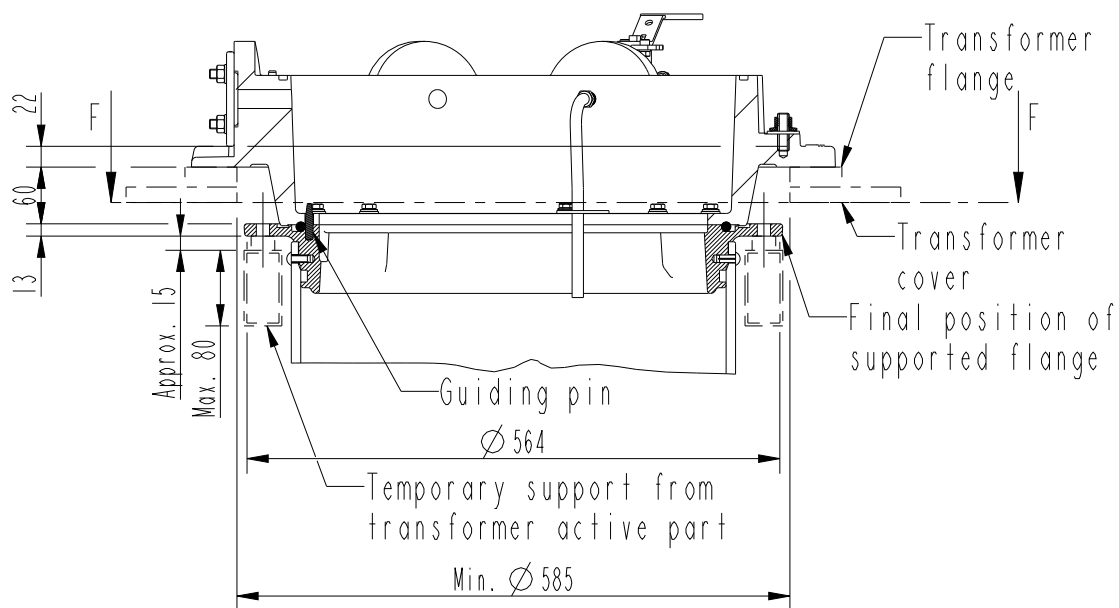
Flange A, B, C and D

We reserve all rights in this document and in the information contained therein. Reproduction, use or disclosure to third parties without express authority is strictly forbidden.

Approved 2016-10-26	Document Kind Outline Drawing	Based on doc. id	Work order id	Project id
Company ABB AB	Title, Supplementary title VUBB L N			
Responsible Department SEABB-9AAE300824	200, 380/250, 400, 600			
ABB	Document id 1ZSC004426-AAD	Status	Revision	Iteration
				Sheet 2/3

This document is issued by means of a computerized system. The digitally stored original is electronically approved. The approved document has a date entered in the "Approved"-field. A manual signature is not required.

MOUNTING ON ACTIVE PART



ADDITIONAL DRAWINGS:
Connection Diagrams: see Technical Guide VUBB

Approved 2016-10-26	Document Kind Outline Drawing	Based on doc. id	Work order id	Project id
Company ABB Technology Ltd	Title, Supplementary title VUBB L N			
Responsible Department SEABB-9AAE300824	200, 380/250, 400, 600			
ABB	Document id IZSC004426-AAD	Status Released	Revision B	Iteration Iteration
				Sheet 3/3