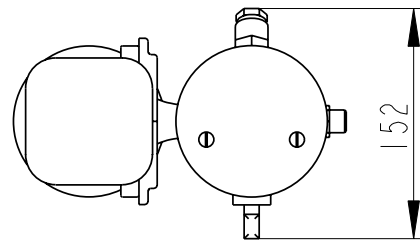
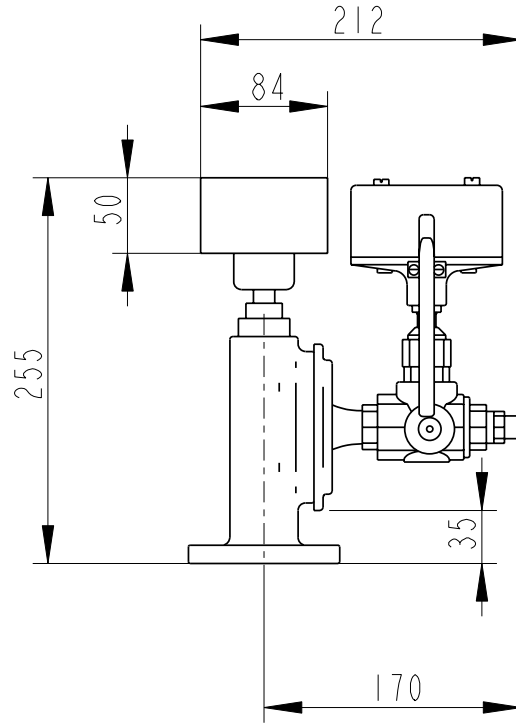


Rev	Ind	Revision	Prepared	Checked by	Date

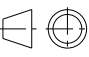


We reserve all rights in this document and in the information contained therein. Reproduction, use or disclosure to third parties without express authority is strictly forbidden. ©ABB

Production engineering review

Inspection engineering review

Design engineering review

Based on	Reg. No.	Title Tempsensor and pres.relay UCC/UCD Tempgivare och tryckvakt UCC/UCD	 Language
Prepared K Tossavainen	Responsible department PPT/CO/TK		
Approved L Persson	Take over department	Document No. 54920083-34	Page 1(1)
Revision Rev 1 080331	Database DIMENSION_DWGS		
