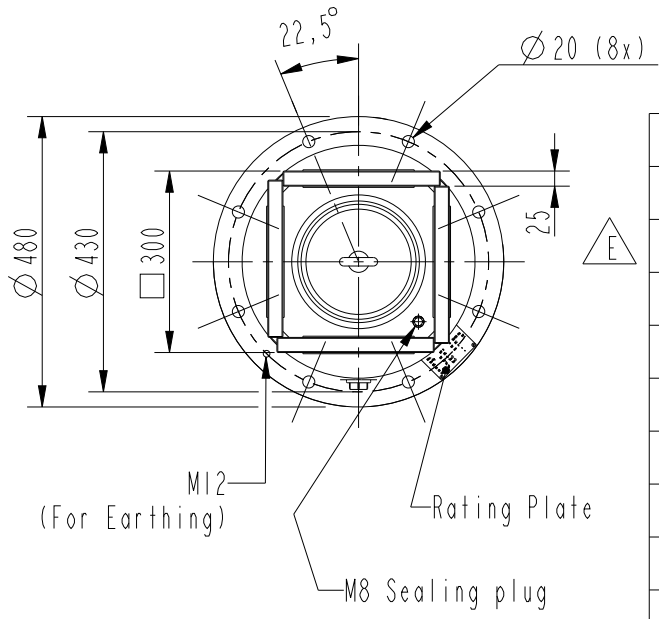
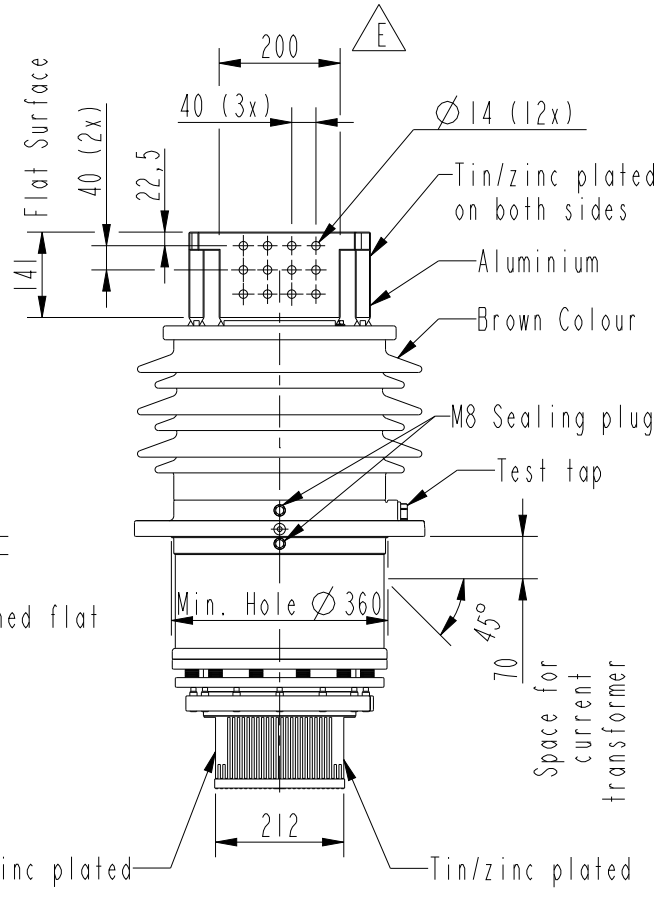
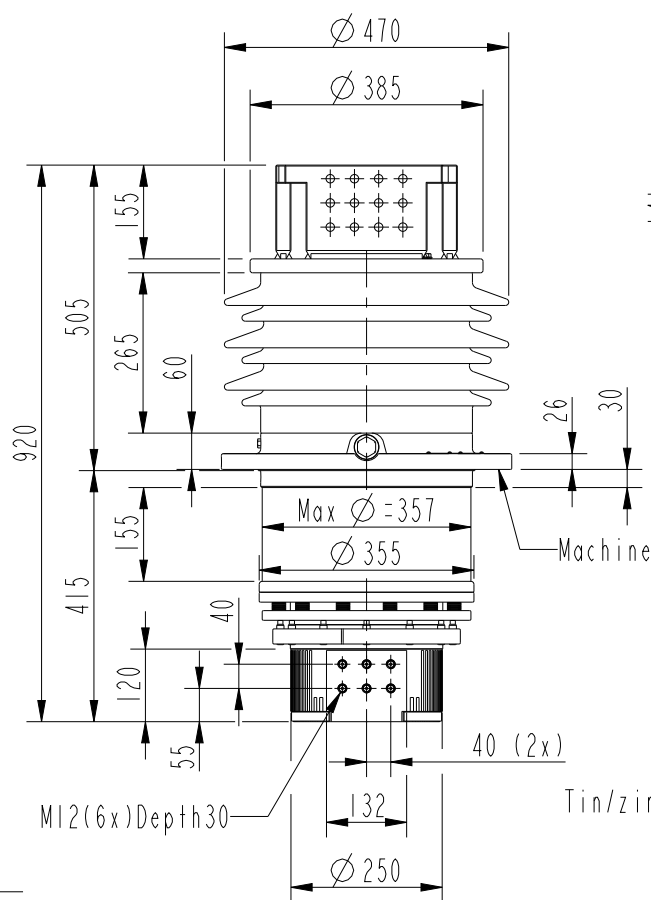


This document is issued by means of a computerized system. The digitally stored original is electronically approved. The approved document has a date entered in the "Approved"-field. A manual signature is not required.

Revision	Revision text
E	IEC values updated, Dim added



Bushing Data	IEC	ANSI
Rated Voltage	36 kV	34,5 kV
Phase-to-ground Voltage	21 kV	22 kV
Dry Lightning Impulse 1.2/50 μ s	170 kV	200 kV
Wet Power frequency AC	75 kV	75 kV
Routine test Imin dry 50Hz	80 kV	80 kV
Current carrying capacity acc to IZSE2750-107		
Creepage Distance	760 mm	
Mass	175 kg	
Catalogue number LF126008-A		

We reserve all rights in this document and in the information contained therein. Reproduction, use or disclosure to third parties without express authority is strictly forbidden.

Approved 2020-09-03	Document Kind Outline Drawing	Based on doc. id	Work order id	Project id
Company ABB Technology Ltd	Title, Supplementary title Bushing GOH 170/16			
Responsible Department SEABB-9AAE300824				
ABB	Document id 2751312-16	Status Released	Revision E	Iteration Iteration
			Sheet 1/1	