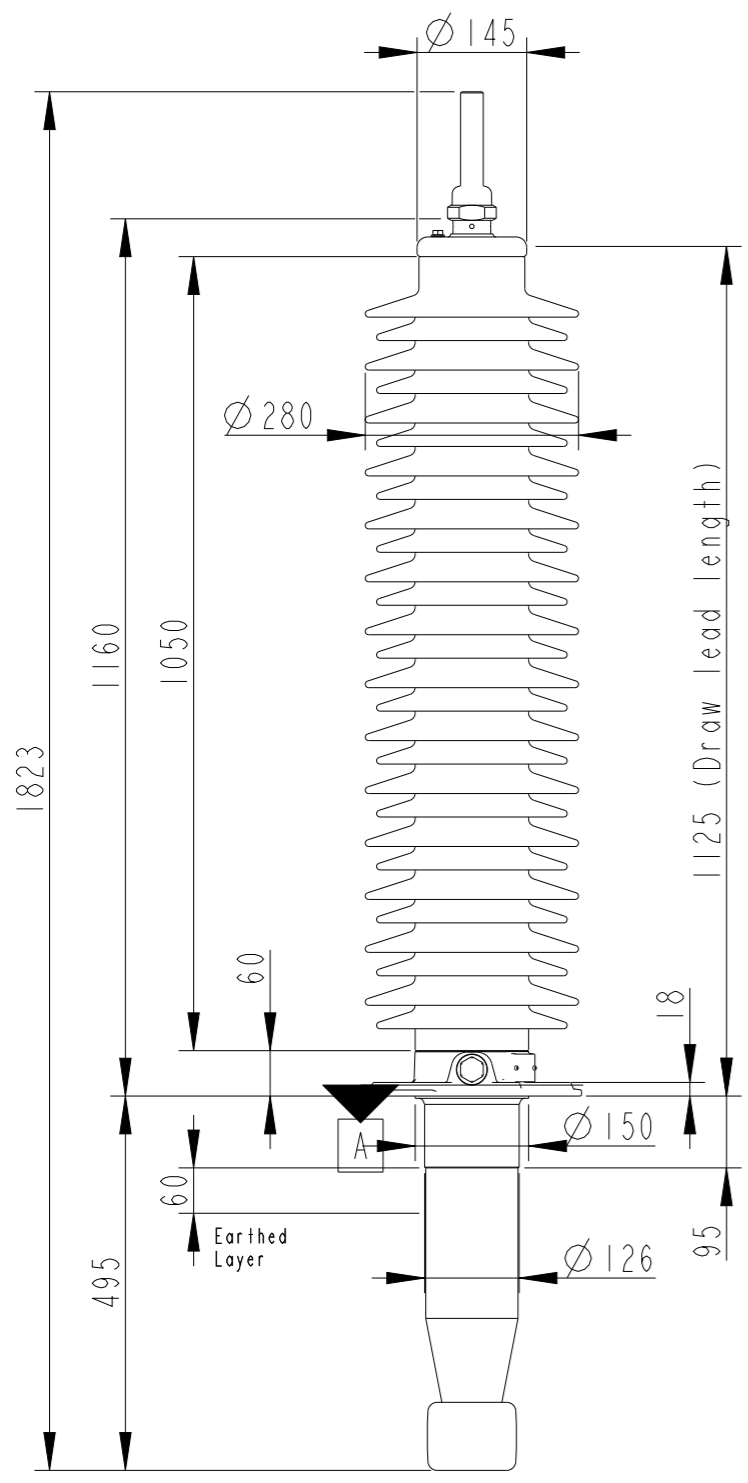
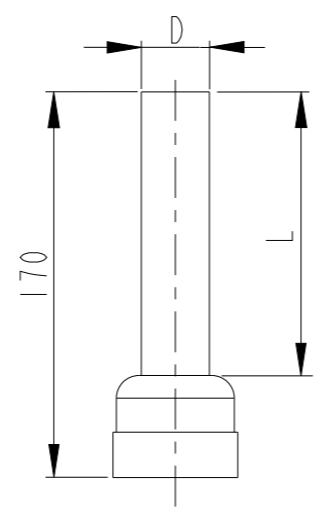


This document is issued by means of a computerized system. The digitally stored original is electronically approved. The approved document has a date entered in the "Approved"-field. A manual signature is not required.

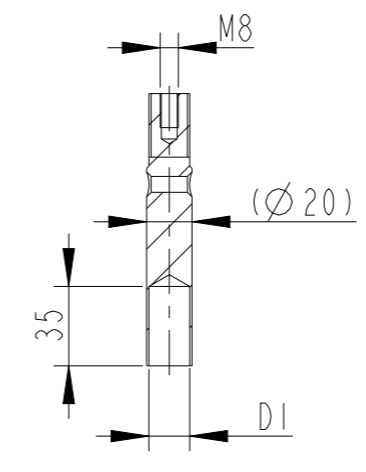
We reserve all rights in this document and in the information contained therein. Reproduction, use or disclosure to third parties without express authority is strictly forbidden.



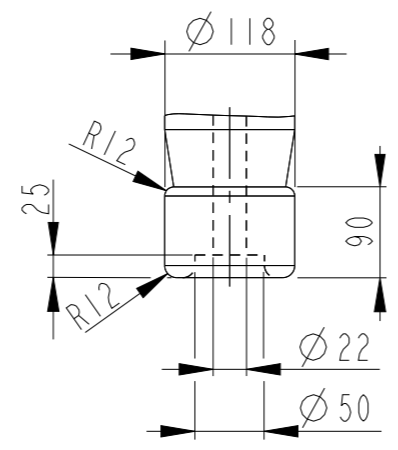
**OUTER TERMINAL**



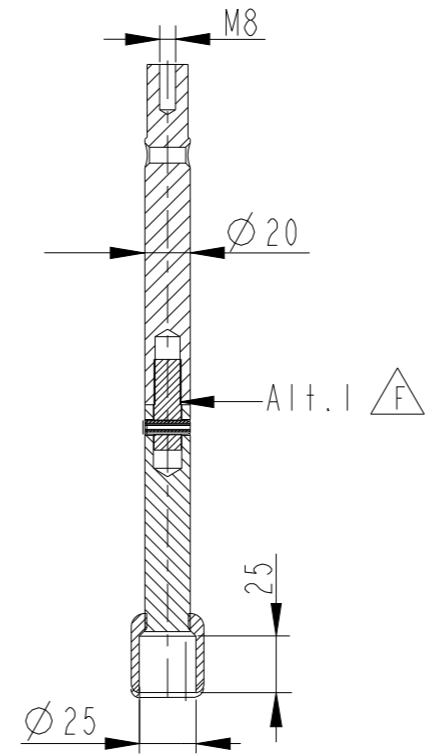
**INNER TERMINAL FOR STRANDED CABLE**



**END SHIELD**



**SOLID ROD CONNECTOR**



The solid rod can be divided either:  
Alt.1: 20mm below the bushing flange

Revision	Revision text
F	Removed Alt.2, Changed the Phase to ground voltage from 123 to 98kV

**Bushing Data:**

Rated Voltage	170	kV
Phase to Ground Voltage	$\triangle F$ 98	kV
Dry Lightning Impulse 1,2/50 $\mu$ s	550	kV
Wet power frequency AC	230	kV
Routine test 1min dry 50Hz	260	kV
Rated Current	800	A
Creepage Distance	3890 $\pm$ 100	mm
Creepage Distance Protected	1530	mm
Mass	85	kg

**Ordering Data:**

<b>BUSHING</b>	COLOUR AIR INSULATOR
LF123061-K	BROWN
LF123061-L	LIGHT GREY
LF123061-HK	BROWN Horizontal 45°-90°
LF123061-HL	LIGHT GREY Horizontal 45°-90°
<b>OUTER TERMINAL</b>	Material D L
LF 170 002-A	Cu alloy, $\varnothing 30$ , 125
LF 170 001-A	Al, $\varnothing 30$ , 125
OTHER TYPES ON REQUEST	
<b>INNER TERMINAL FOR STRANDED CABLE</b>	
<b>For brazing</b>	Conductor area D1
LF 170 011-S	up to 150mm <sup>2</sup> $\varnothing 18$
LF 170 011-U	Undrilled with pilot hole $\varnothing 5$
<b>For crimping or brazing</b>	Conductor area D1
LF 170 010-M	50mm <sup>2</sup> $\varnothing 11$
LF 170 010-N	70mm <sup>2</sup> $\varnothing 13$
LF 170 010-L	95mm <sup>2</sup> $\varnothing 15$
<b>SOLID ROD CONNECTOR</b>	Material
LF 170 019 -T for Alt.1	Cu

1)  $\varnothing 4$  Oil connection hole (only valid for horizontal mounting)

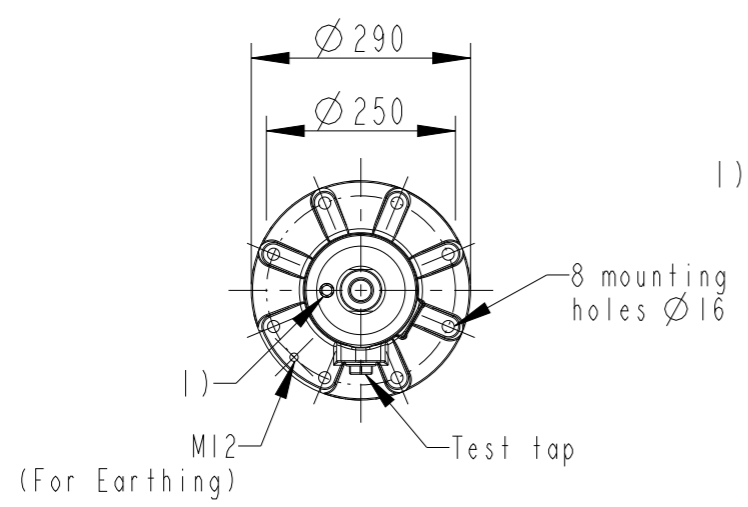


ABB		Ludvika, Sweden	
No.	kV Ir	A	50/60 Hz
$\varnothing$ Um	kV SL	kV AC	kV
M	kg L	mm	°
C1	pF	Tan $\delta$	x
C2	pF	Tan $\delta$	x

Created by Balaji.G.R	Reviewed by Joakim Persson	Approved by Natalia Gutman		
Approved 2020-01-08	Document Kind Outline Drawing	Based on doc.id	Work order id	Project id
Company ABB Technology Ltd	Title, Supplementary title GOB 550-800-0.1 WITHOUT OIL LEVEL GAUGE STD END SHIELD			
Responsible Department SEABB-9AAE300824	Document id 2751369-145	Status Released	Revision F	Iteration 1/1
<b>ABB</b>				